



## Mack Chassis - FSB 563-008 Plugs, Pressure Protection Manifold - New Brass Plugs For Noregon Pressure Protection Manifold (PPM)



> Internal Content

For more information regarding Mack Chassis - [FSB 563-008 Plugs, Pressure Protection Manifold](#) refer to [Impact](#) under the service tab.



Tags

[k30433421](#)

[mack](#)

### Related links and attachments

[KC-286 FSB 863-008](#)



### Feedback

[Give feedback](#)

to help improve the content of this article

# FSB 563-008, Plugs, Pressure Protection Manifold

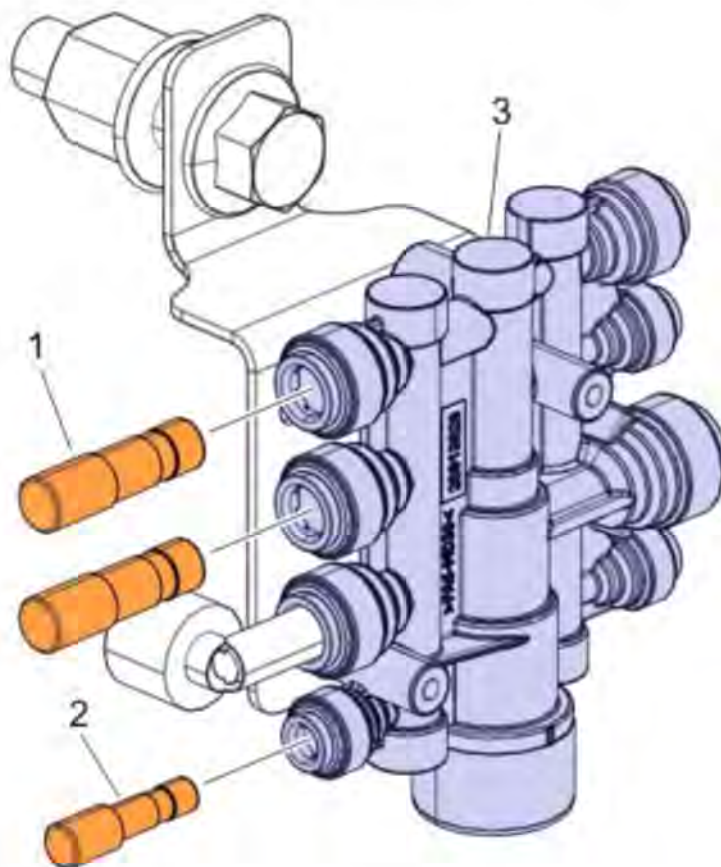
(April 2019)

Note: This bulletin does not apply to Mack Trucks Australia.

On certain trucks built from 05/11/2009, Mack Trucks has introduced new brass Pressure Protection Manifold (PPM) plugs part number 23480654, size 6.35 mm (.250 in) and part number 23480658, size 9.525 mm (.375 in) to be used ONLY on Norgren PPM part Numbers 20913828, 21648277, 22196730 and 22650771. The existing plugs (part number 25161826), size 6.35 mm (.250 in), and part number 25153853, size 9.525 mm (.375 in), both red in color are no longer used anywhere on the truck. The existing plugs (black in color) part number 8077186, size 6.35 mm (.250 in), and part number 8077187, size 9.525 mm (.375 in) are still used in the locations shown in the table on page 2.

Note: The black plugs CANNOT be used in the Pressure Protection Manifold (PPM) part numbers 20913828, 21648277, 22196730 and 22650771.

Note: Spare Parts has release Technical Parts Information bulletin (TPI 563-014) related to this bulletin.

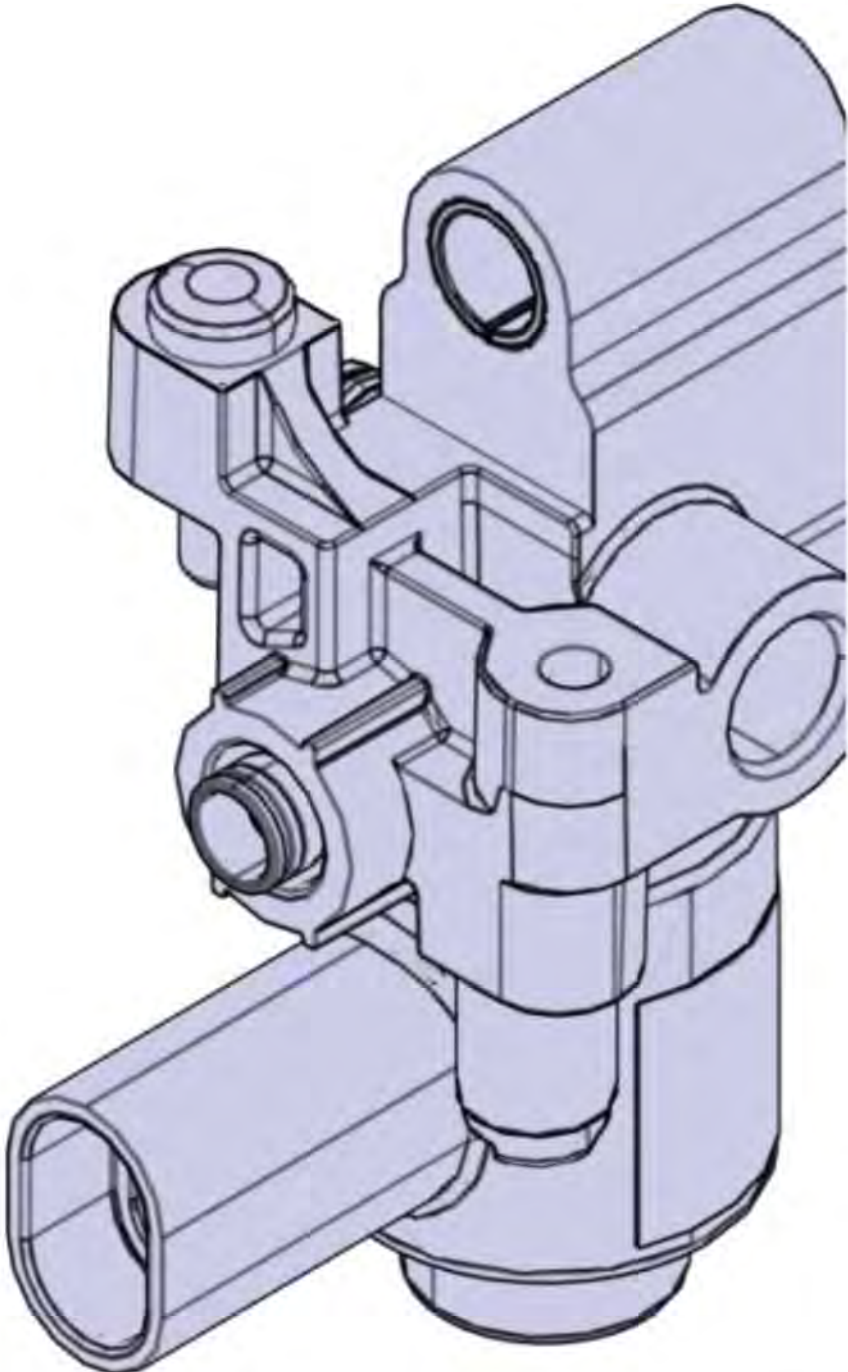


| Plug, Pressure Protection Plugs and Manifold |             |   |
|--|-------------|---|
| Item   | Part Number | Description                             |
| 1  | 23480658    | Brass Plug, Manifold, 9.52 mm (.375 in) |
| 2  | 23480654    | Brass Plug, Manifold, 6.35 mm (.250 in) |
| 3  | 22650771    | Pressure Protection Manifold            |

Copyright to this documentation belongs to the Volvo Group. No reproduction, copying, change, amendment or other similar disposal is entitled without prior written consent by the Volvo Group

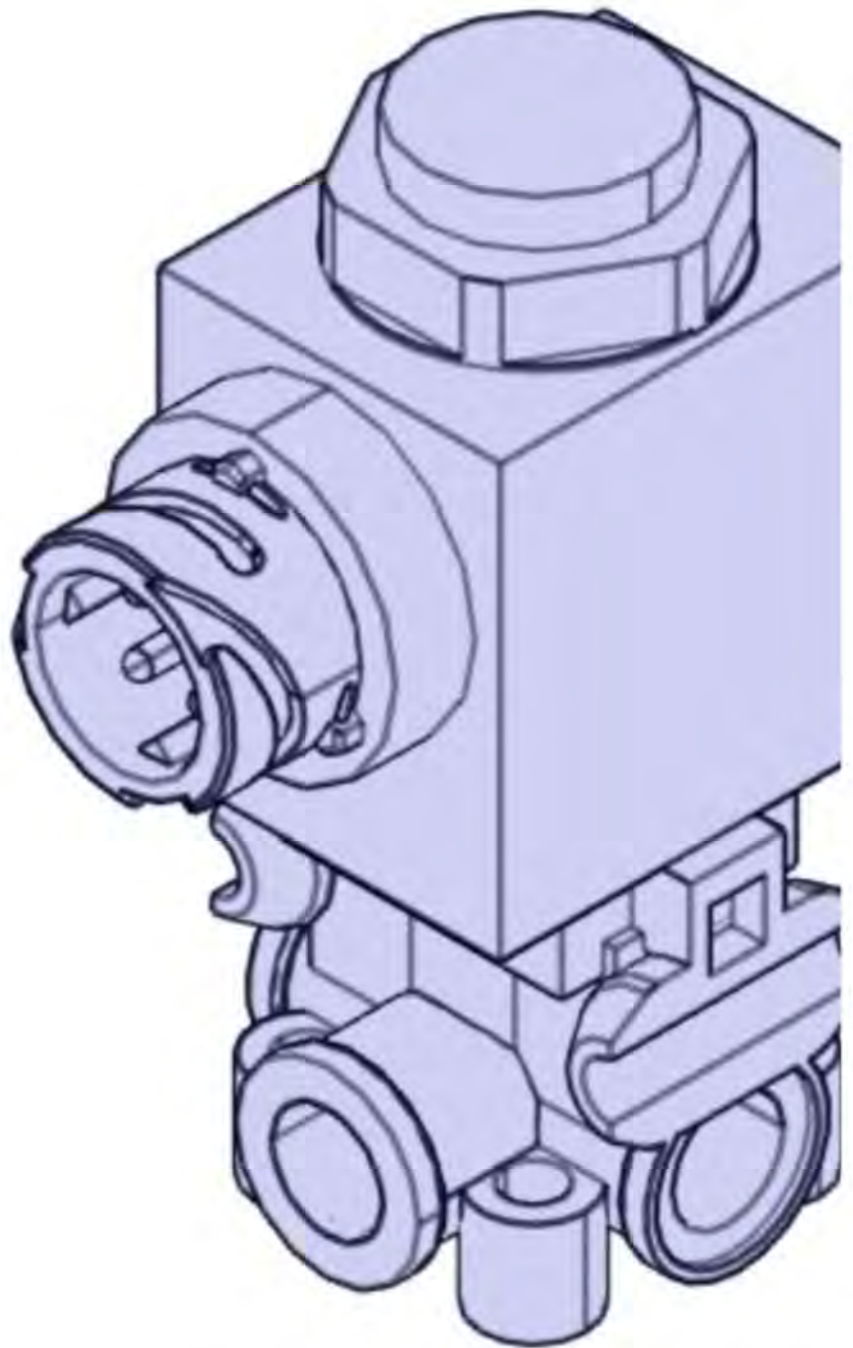
The information contained herein is current at the time of its original distribution, but is subject to change. The reader is advised that printed copies are uncontrolled.

Plug Part Numbers 8077186 and 8077187 (Black in Color) Where Used Chart

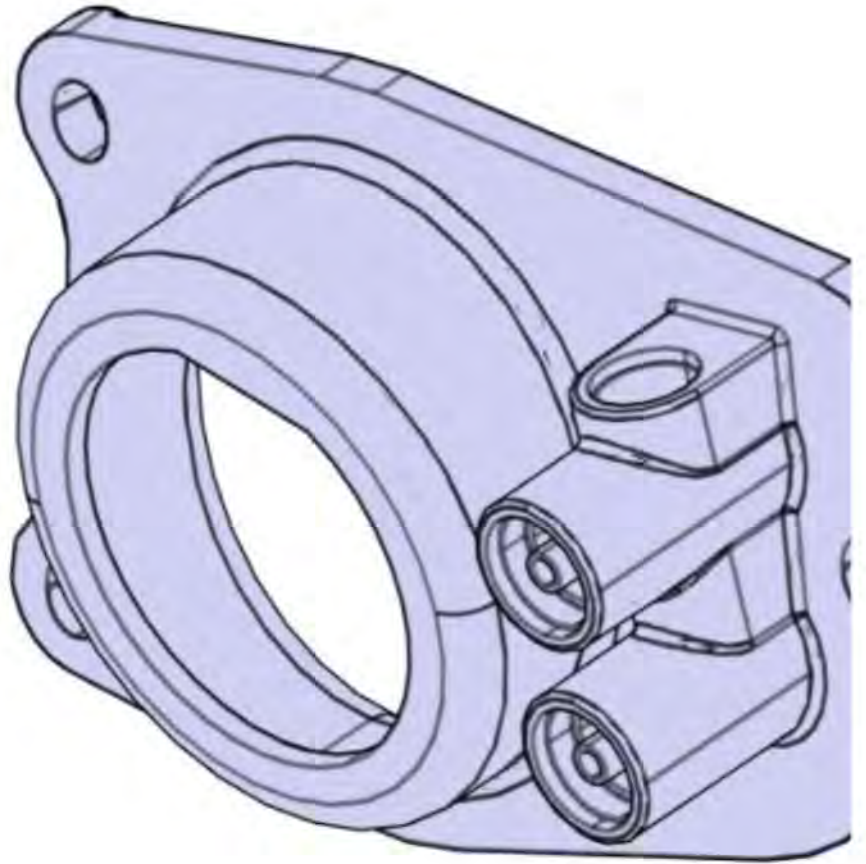
| Product Class | Part Number | Description    | Supplier | Image   |
|---------------|-------------|----------------|----------|---|
| 28, 29        | 22849162    | Solenoid Valve | Bendix   |  |
| 28, 29        | 1078315     | Solenoid Valve | Norgren  |   |

Copyright to this documentation belongs to the Volvo Group. No reproduction, copying, change, amendment or other similar disposal is entitled without prior written consent by the Volvo Group

The information contained herein is current at the time of its original distribution, but is subject to change. The reader is advised that printed copies are uncontrolled.



|    |          |   |         |
|----|----------|---|---------|
| 28 | 25111766 | Manifold,<br>Air/Electric<br>Mack<br>L-Side | Norgren |
|----|----------|---|---------|



|    |          |                       |         |
|----|----------|-----------------------|---------|
| 28 | 22646257 | Pass Through Manifold | Norgren |
|----|----------|-----------------------|---------|

