



# Technical Service Bulletin

---

## 69 Seat belts retract slowly

69 22 82 2015765/6 February 17,2022. Supersedes Technical Service Bulletin Group 69 number 10-04 dated May 25, 2010, for reasons listed below.

Model(s)	Year	VIN Range	Vehicle-Specific Equipment
TT Roadster	2007 – 2009	All	Not Applicable
	2010	000001 – 007076	

## Condition

REVISION HISTORY		
Revision	Date	Purpose
6	-	Revised header (Corrected an Elsa display issue) Revised <i>Service</i> (Modified part number) Revised <i>Warranty</i> (Modified warranty table) Revised <i>Required Parts and Tools</i> (Modified parts table)
5	05/25/2010	Revised <i>Service, Warranty, Required Parts and Tools</i>
4	2/10/2009	Revised <i>Service</i> (Replace seat belts as well as guides) Revised <i>Warranty</i> Revised <i>Required Parts &amp; Tools</i>

### Customer states:

- Driver or passenger seat belt retracts slowly after unbuckling. This condition does not affect seat belt operation.

## Technical Background

The seat belt is routed back to the reel in such a way that the speed of retraction is slowed.



# Technical Service Bulletin

---

## Production Solution

Routing and retraction force of the seat belt changed to improve the retraction and the belt guide has improved clearance for the belt webbing.

## Service

### Solution for vehicles built before 8J\*81023514

Replace the left three point seat belt with part number **8J7 857 705 M + color code**. Replace right three point seat belt with **8J7 857 706 M + color code**.

Also replace both the left and right belt guides (Figure 1, Point 7) with left belt guide **8J7 857 795 C 4PK** and right belt guide **8J7 857 796 C 4PK** according to the repair procedure in *ElsaWeb* >> *Body* >> *Body Interior* >> *69 Passenger Protection, Airbags, Seat Belts* >> *Seat Belts, Roadster*.

- When reassembling, observe all tightening torques for all bolts.
- Use new anchorage point covers for seat belt bolts on floor pan (**8N0 857 763 + color code**).

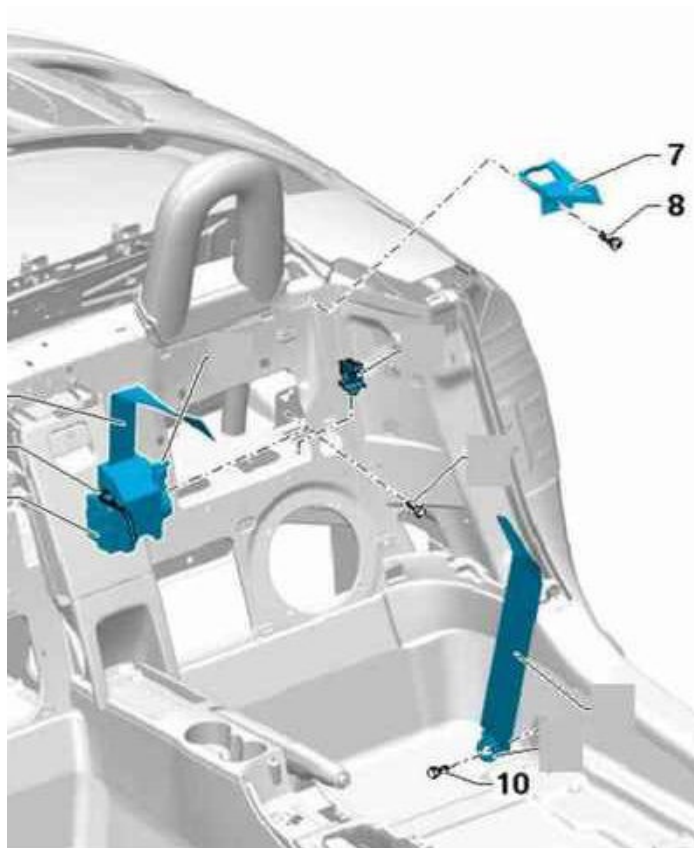


Figure 1. The seat belt guides (7).

### Solution for vehicles built after 8J\*81023514



# Technical Service Bulletin

Replace both the left and right belt guides (Figure 1, Point 7) with left belt guide **8J7 857 795 C 4PK** and right belt guide **8J7 857 796 C 4PK** according to the repair procedure in *ElsaWeb* >> *Body* >> *Body Interior* >> *69 Passenger Protection, Airbags, Seat Belts* >> *Seat Belts, Roadster*.

## Warranty

<b>Claim Type:</b>	If the vehicle is outside any warranty, this Technical Service Bulletin is informational only.		
<b>Service Number:</b>	6926		
<b>Damage Code:</b>	0017		
<b>Labor Operations:</b>	<b>Vehicles built before 8J*81023514</b>		
	Rollover bar trim remove and reinstall	7081 1910	See SRT with associated operations
	Seat belts, front remove and reinstall	6911 2060	See SRT with associated operations
	Belt guides remove and reinstall	6926 2060	See SRT with associated operations
	<b>Vehicles built after 8J*81023514</b>		
	Belt guides remove and reinstall	6926 2060	See SRT with associated operations
<b>Diagnostic Time:</b>	GFF	No allowance	0 TU
	Road test prior to service procedure	No allowance	0 TU
	Road test after service procedure	No allowance	0 TU
<b>Claim Comment:</b>	As per TSB 2015765/6		



# Technical Service Bulletin

---

## Required Parts and Tools

Always check with your Parts Department and/or ETKA for the latest information and parts bulletins.		
Part Number	Part Description	Quantity
8J7857705M + color code	Three-point inertia reel seat belt with belt tensioner and belt pressure limiter, left	1
8J7857706M + color code	Three-point inertia reel seat belt with belt tensioner and belt pressure limiter, right	1
8J7857795C4PK	Left belt guide	1
8J7857796C4PK	Right belt guide	1
8N0857763 + color code	Lower cover	2

## Additional Information

All parts and service references provided in this TSB (2015765) are subject to change and/or removal.

©2022 Audi of America, Inc. All rights reserved. The information contained in this document is based on the latest information available at the time of printing and is subject to the copyright and other intellectual property rights of Audi of America, Inc., its affiliated companies, and its licensors. All rights are reserved to make changes at any time without notice. No part of this document may be reproduced, stored in a retrieval system, or transmitted in any form or by any means, electronic, mechanical, photocopying, recording, or otherwise, nor may these materials be modified or reposted to other sites without the prior expressed written permission of the publisher.