



Service Bulletin

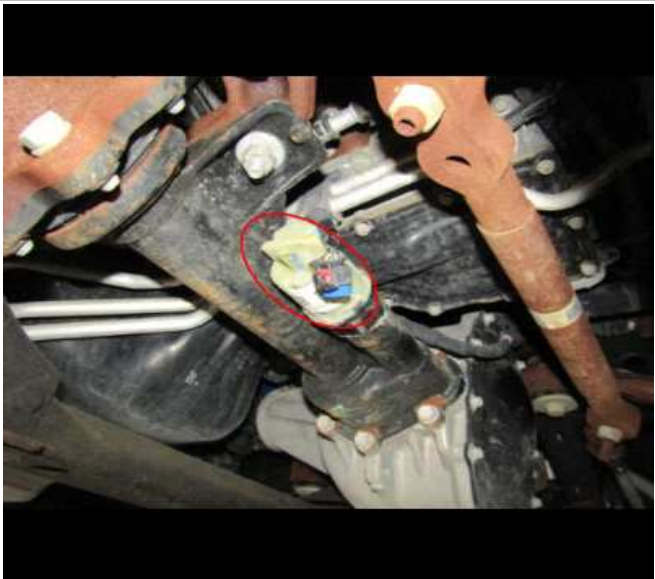
Bulletin No.: 20-NA-209

Date: March, 2022

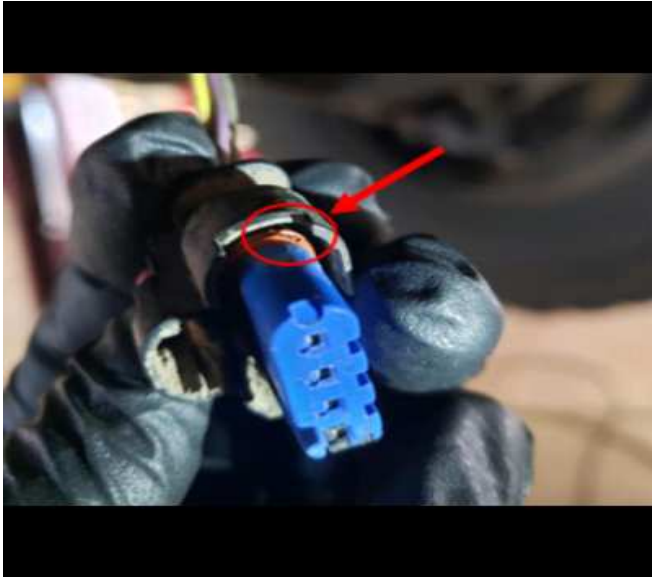
TECHNICAL

Subject: Service 4WD Message Illuminated on Driver Information Center (DIC), DTCs C118D, C119B and/or C119C Set

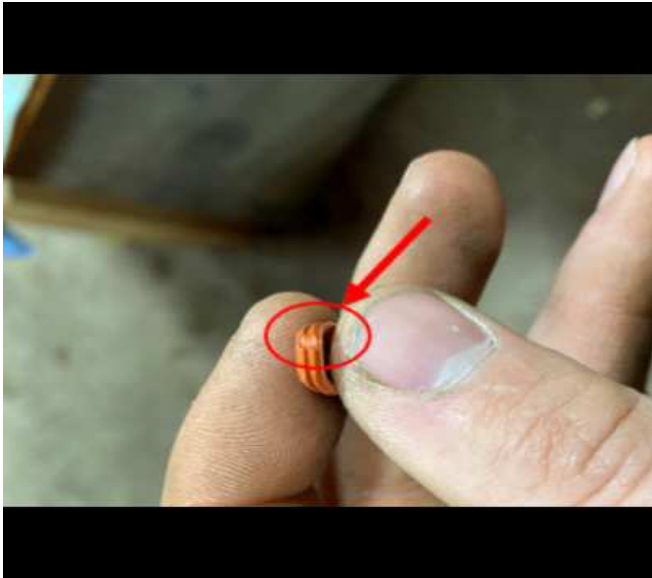
Brand:	Model:	Model Year:		VIN:		Engine:	Transmission:
		from	to	from	to		
Chevrolet	Silverado 2500HD/3500HD	2019	2022			All	All
GMC	Sierra 2500HD/3500HD	2019	2022				

Involved Region or Country	North America, Israel, Saudi Arabia, Chile, Australia, New Zealand
Additional Options (RPOs)	
Condition	Some customers may comment on seeing a Service 4WD message illuminated in the DIC, Technicians may find DTCs C118D, C119B and/or C119C Set.
Cause	The cause of the condition may be water intrusion and corrosion within the front differential actuator connector and the electrical harness connector terminals.
Correction	 <p style="text-align: right;">5660054</p> <p>Scan for DTCs and verify if C118D, C119B, and / or C119C are present. If any of the listed DTCs are present, inspect the front drive axle actuator electrical connector for signs of moisture, corrosion at the pins, or damage to the actuator housing.</p> <p>Note: Examples of damage to the actuator housing and the harness connector seal, are shown at the start of the Service Procedure below.</p> <p>Also inspect the electrical wire harness connector for any damage to the internal seal or signs of moisture and corrosion. If any of the listed conditions such as moisture, corrosion, or damage are present on either component, replace BOTH the front drive axle actuator and the electrical wiring harness that connects to the actuator.</p>

Service Procedure



6017551



6017553

Electrical Harness Connector Seal Damage

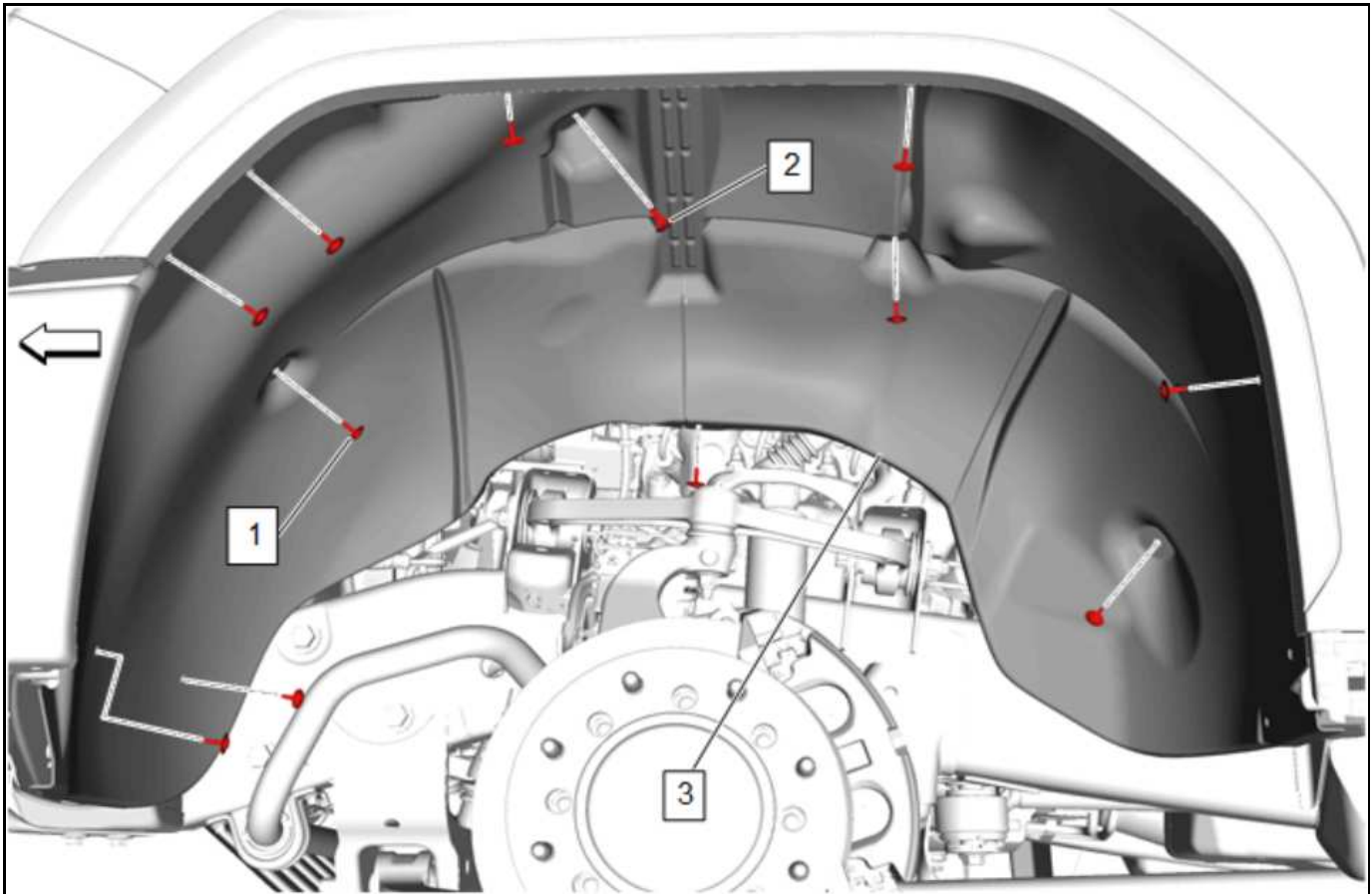


6017555



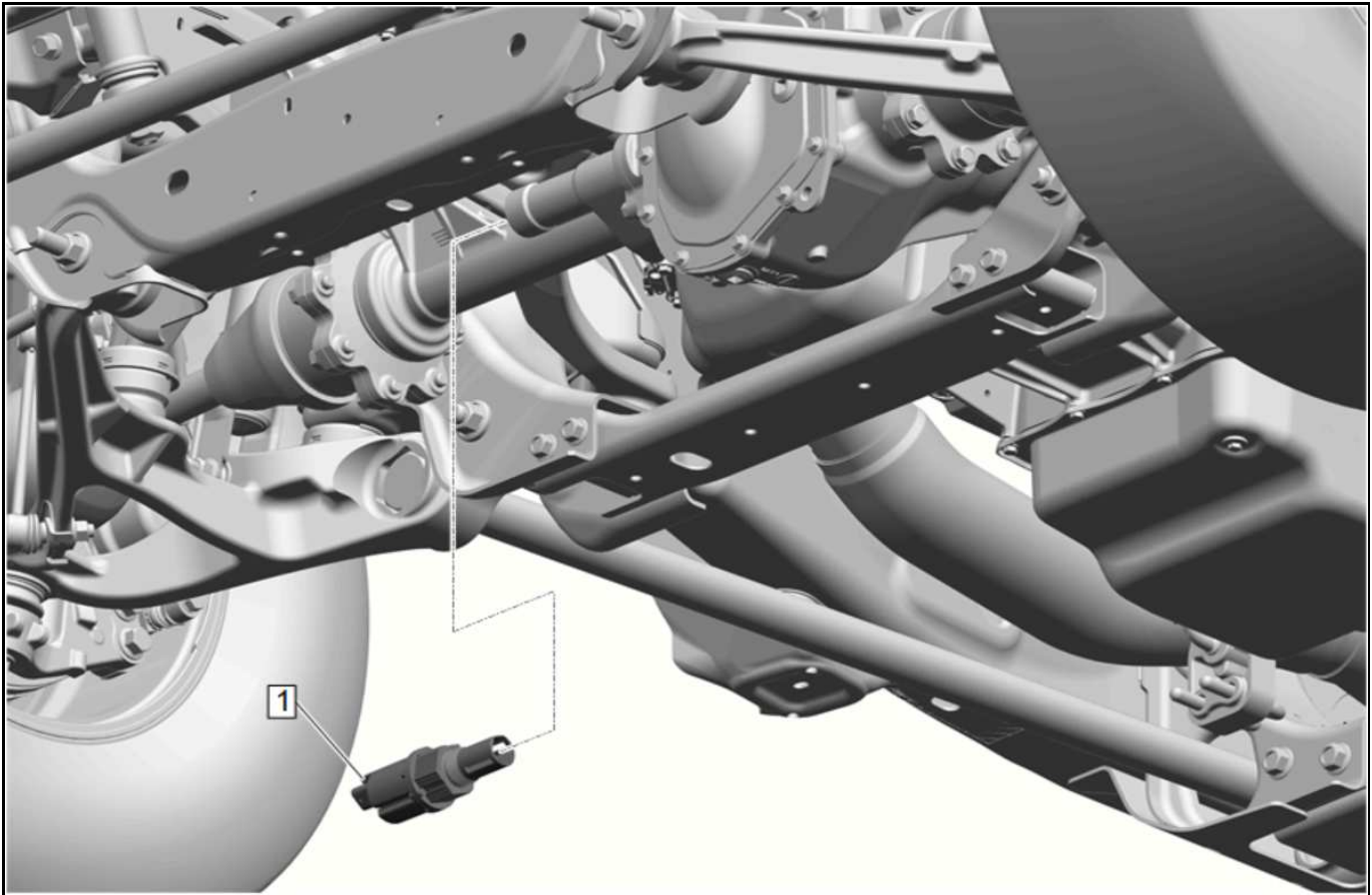
6017557

Front Drive Axle Actuator Housing Damage



5233270

1. Remove the left front tire and wheel assembly, and the left front wheelhouse liner (3). Refer to *Front Wheelhouse Liner Replacement*, in SI.

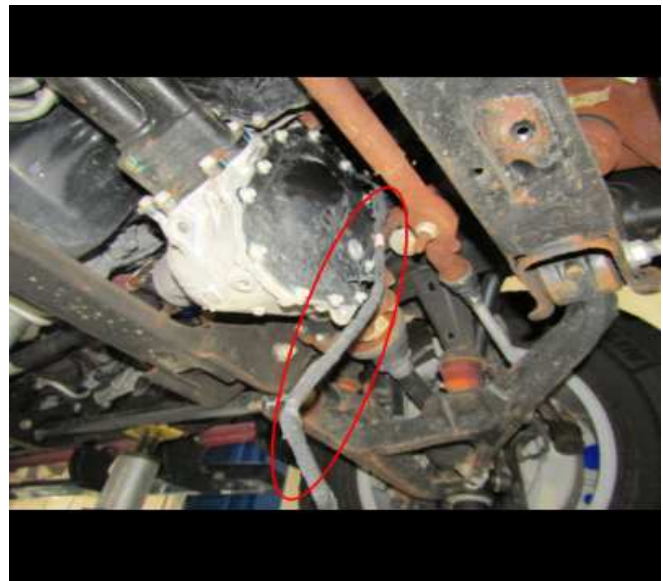


5334967

2. Remove the underbody skid shield and the front drive axle actuator (1). Refer to *Front Drive Axle Actuator Replacement*, in SI.

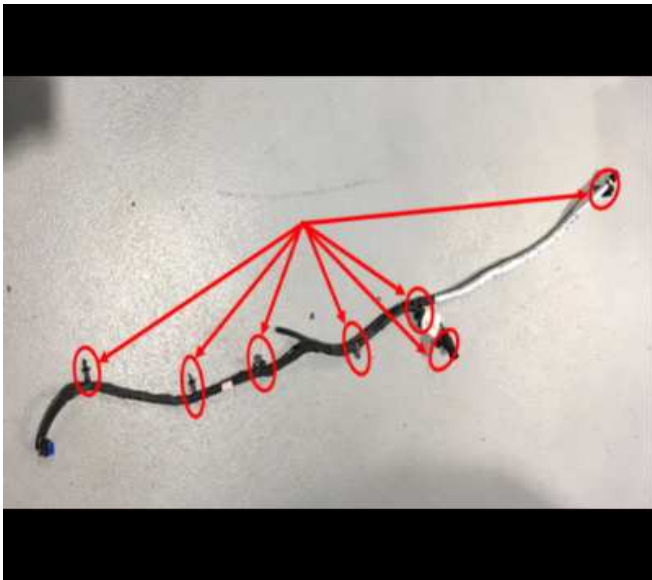


6017559

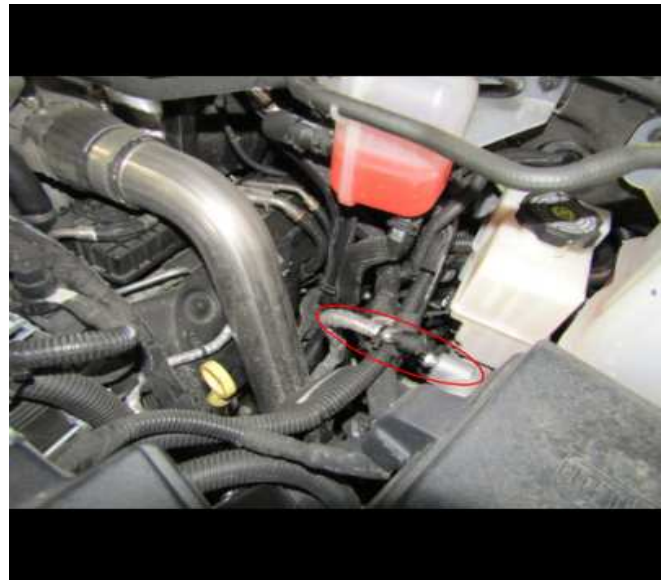


6017561

3. Working from the lowest point upward, remove the front drive axle actuator harness assembly. Note the harness routing and original location of the retainers and disconnect the retainer adjacent to the shock mount last.



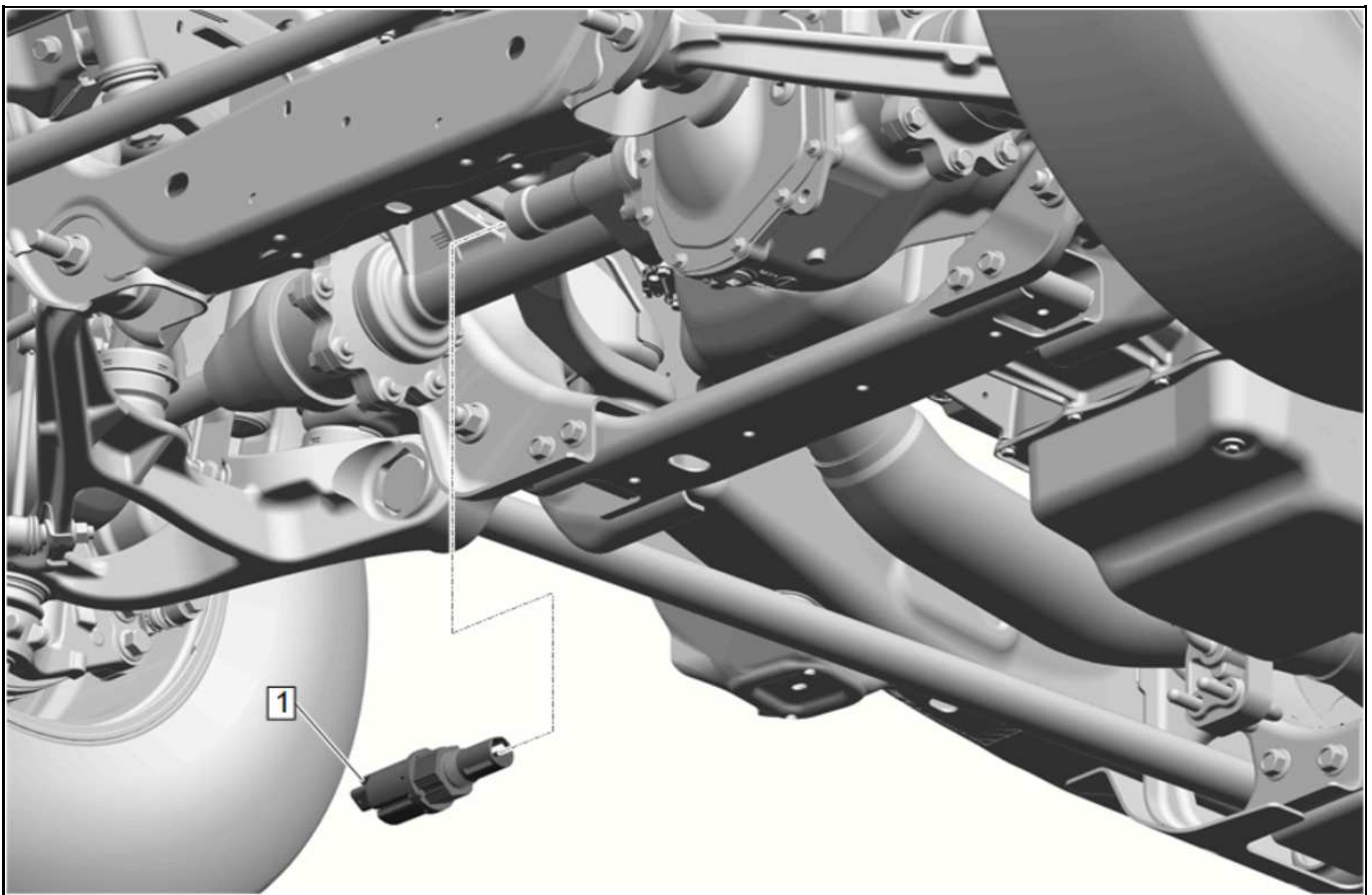
6017562



6017566

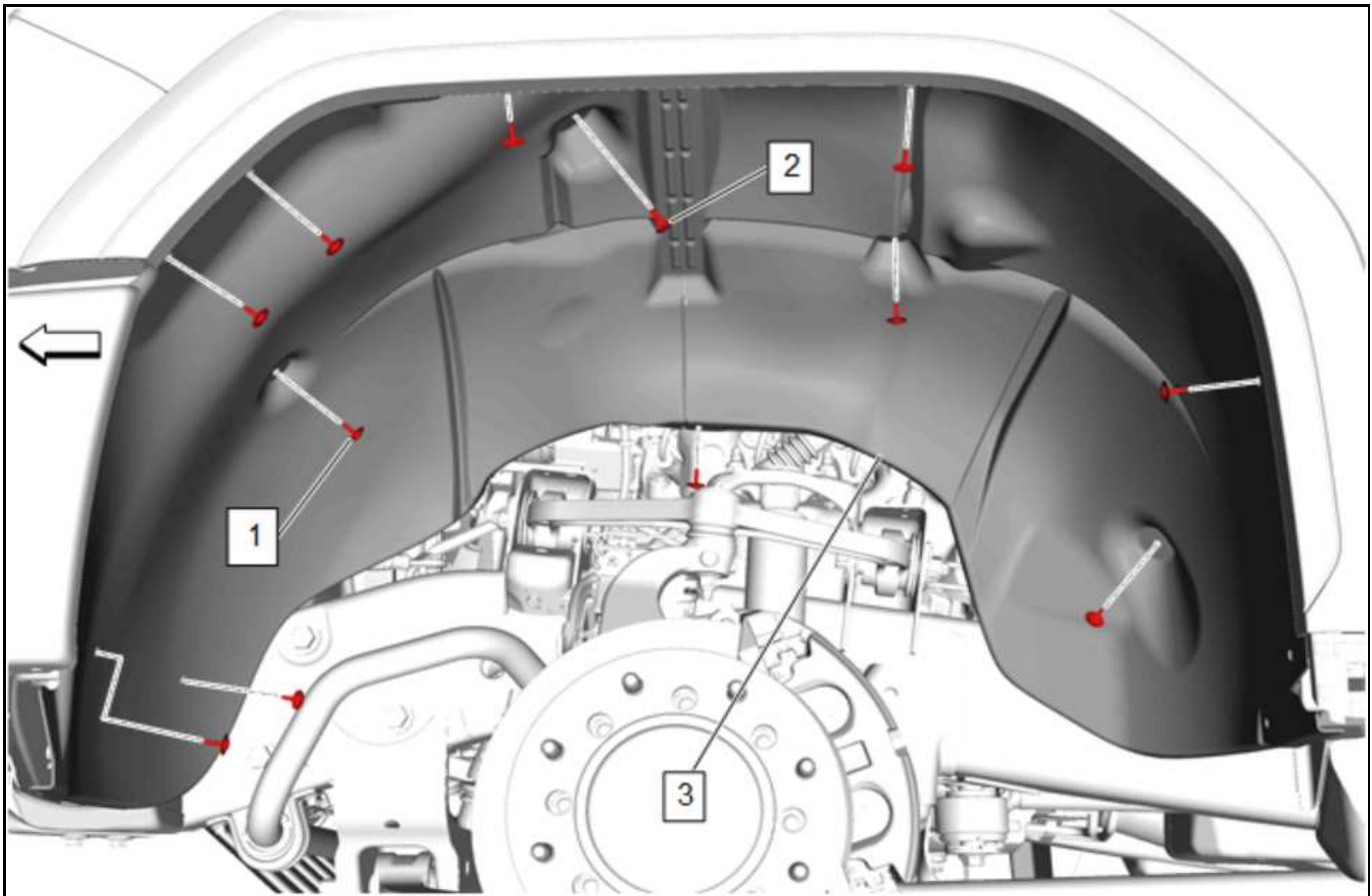
Note: There are seven retainers that secure the harness to the vehicle.

4. Connect the retainer adjacent to the shock mount first, then route and install the new front drive axle actuator harness.



5334967

5. Install the new front drive axle actuator (1) and reinstall the underbody skid shield. Refer to *Front Drive Axle Actuator Replacement*, in SI.



5233270

6. Reinstall the left front wheelhouse liner (3) and the left front tire and wheel assembly. Refer to *Front Wheelhouse Liner Replacement*, in SI.
7. Remove the support and lower the vehicle.

Parts Information

Causal Part	Description	Part Number	Qty
X	ACTUATOR ASM-FRT DRV AXLE	84756932	1
X	HARNESS ASM- TRFER CASE SEL SHFT CONT SW W	84801336	1

Warranty Information

For vehicles repaired under the Powertrain coverage, use the following labor operation. Reference the Applicable Warranties section of Investigate Vehicle History (IVH) for coverage information.

Labor Operation	Description	Labor Time
3087168*	Front Drive Axle Actuator and Electrical Harness Replacement	1.3 hr.
*This is a unique Labor Operation for Bulletin use only.		

Version	2
Modified	Released October 23, 2020 Revised March 24, 2022 – Added 2021 and 2022 Model Years, Corrected Some Graphics.

