

RCA-38-22-001-1: Front Drive Unit HV Cable Bracket Inspection and Replacement

Rivian is initiating a customer satisfaction campaign for some model year 2022 R1T vehicles that may have been built with incorrect High Voltage (HV) cable brackets on the front drive unit. If the incorrect brackets are installed, the high voltage cables might become chafed over time, resulting in a "System Failure" indicator light and a notification that the vehicle needs service. Rivian will inspect the front drive unit HV cable brackets. If the incorrect brackets are installed, they will be replaced. Rivian is launching this campaign for customer satisfaction and to ensure the quality of Rivian vehicles.

Document Type	Customer Satisfaction Campaign Bulletin
Date	March 14, 2022
Affected Region(s)	USA
Affected Model(s)	R1T
Model Year(s)	2022
Approximate Build Dates Refer to the FSA Dashboard to determine if this document applies to a specific vehicle.	August 2021 - October 2021
Vehicle System	38 - Front Drive Unit
Minimum Service Location	Service Center

Potentially Required Parts

Part Number	Quantity	Engineering Name	Service Name/Notes
PT00058862-B	1	STRAIN RELIEF - HV, BASE, DRIVE UNIT; FRT	Bracket, HV Cables, Front Drive Unit, Lower
PT00058872-B	1	STRAIN RELIEF - HV, COVER, DRIVE UNIT; FRT	Bracket, HV Cables, Front Drive Unit, Upper
SC00006990-A	2	NUT - M16X2.0 HX FL ADH CL10 R107G	
SC00006496-A	4	BOLT - M6X1.0X70.25 BTN TI MAT ADH CL8.8 R105G	
SC00007020-A	1	BOLT - M8X1.25X38 HX FL PRT MAT ADH CL10.9 R107G	

⚠ Attention: The parts listed in this table are only for unique steps that are called out in this bulletin. Some sections of this bulletin might refer to Service Manual procedures which require additional parts. Always review the bulletin and all potentially related Service Manual procedures before ordering parts and beginning work.

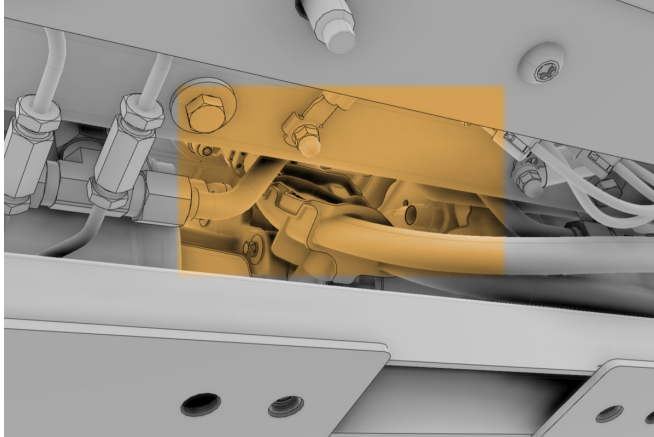
Potentially Required Special Tools:

Tool Number	Tool name
NCT04663342	Powertrain lift, 2500 lb. cap.
NCT04609326	Subframe support jig. (R1/RPV)

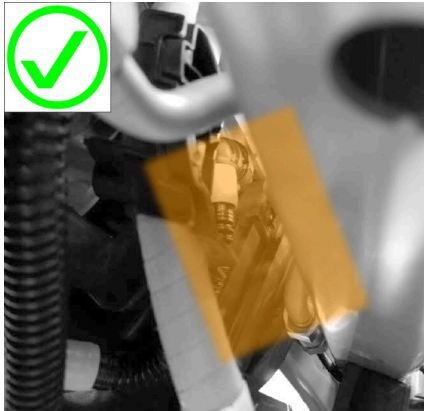
⚠ Attention: The special tools listed in this table are only for unique steps that are called out in this bulletin. Some sections of this bulletin might refer to Service Manual procedures which require additional special tools. Always review the bulletin and all potentially related Service Manual procedures before beginning work.

Front Drive Unit HV Cable Bracket Inspection

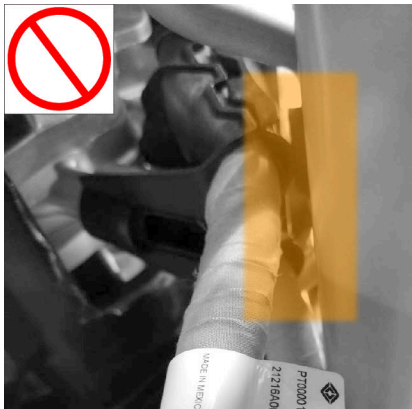
1. Remove: Panel, Underbody, Front Subframe (refer to service manual procedure 606515010).
2. Inspect the clearance between the frame and front drive unit HV cables:



- If the clearance is approximately 1 inch (2.5 cm) or more, the correct bracket is already installed. No additional work is required. Reinstall all components that were removed for access and replace all non-reusable components.



- If the clearance is less than less than 1 inch (2.5 cm), the incorrect bracket is installed. Continue to the [Front Drive Unit HV Cable Bracket Replacement](#) section.

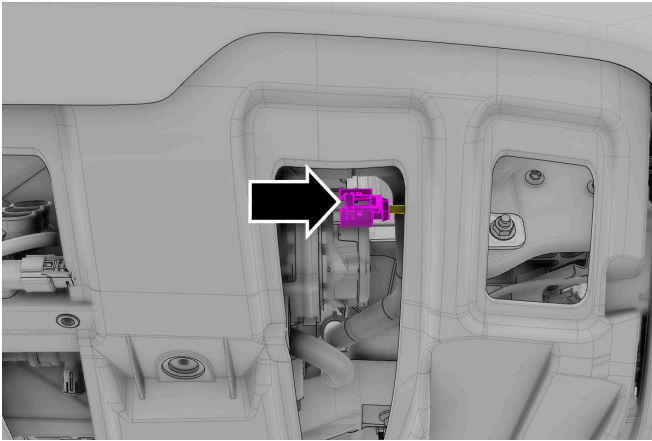


Front Drive Unit HV Cable Bracket Replacement

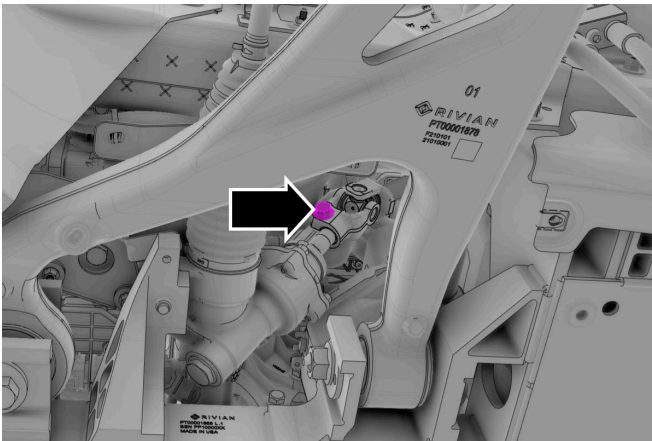
1. Remove: Reinforcement, Frame, Front, Lower (refer to service manual procedure 522212010).
2. On both sides: Remove: Liner, Wheel, Front, LH (refer to service manual procedure 607610010).

3. Remove: Applique, Front Fascia, Center, Lower (refer to service manual procedure 524620010).

4. On the LH side:

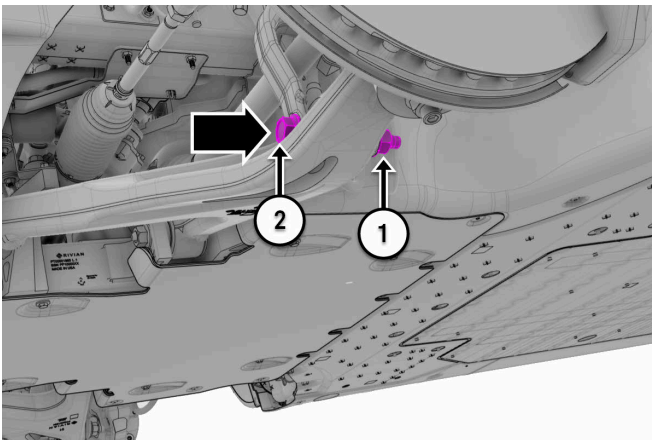


5.



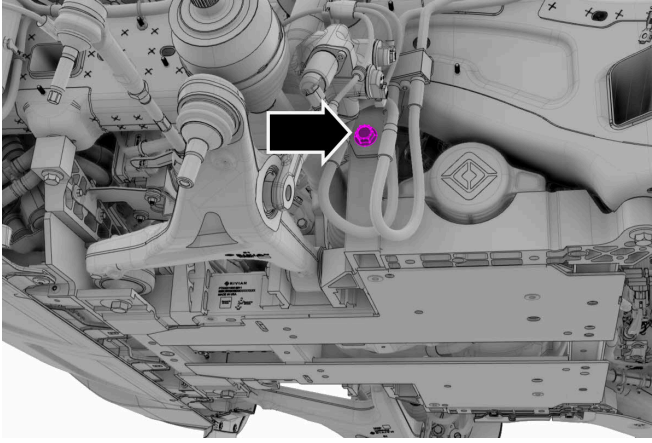
CAUTION: Non-reusable component(s).

6. On both sides:

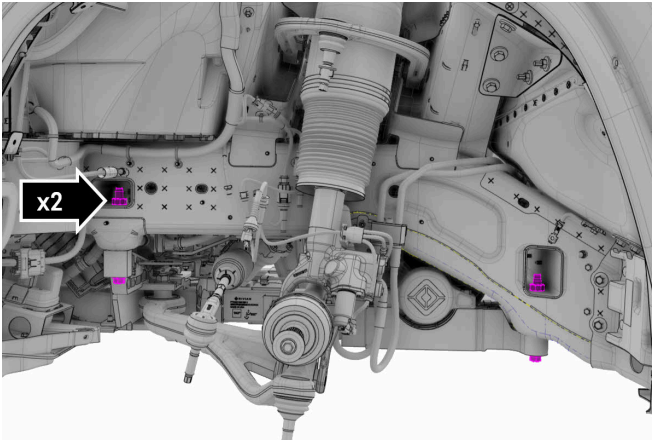


1	Nut
2	CAUTION: Non-reusable component(s).
	Bolt

11. On both sides:

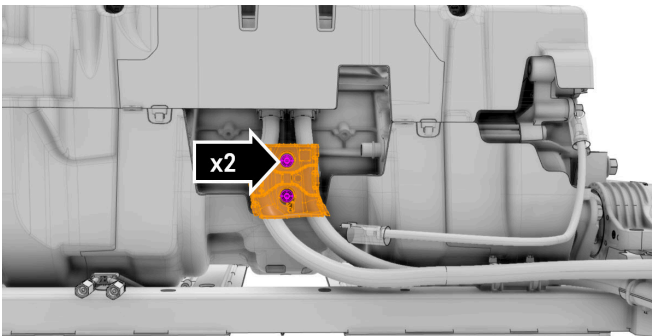



12. On both sides:



13. Slowly lower the subframe table 2 in (5 cm).

14. Tilt the front of the subframe table upwards to produce 3 in (7.6 cm) of clearance in order to access the highlighted component at the rear of the subframe. Replace both halves of the highlighted component.



 **Note:** Shown with components removed for clarity.

15. Reinstall all components that were removed for access and replace all non-reusable components.

Torque specifications in this section

Step Number	Torque (Nm)
5	36
6	270
7	10
8	15
9	8.5
11	175
12	175
14	9

Labor Codes

Labor Codes

Labor Code	Description
RCA382200100	RCA-38-22-001-1 not applicable
RCA382200101	Inspect front drive unit HV cable brackets; no bracket replacement required
RCA382200102	Inspect and replace front drive unit HV cable brackets
Contact ServiceDocumentFeedback@rivian.com regarding labor codes and document content.	