



69-22-01 - Airbag Light ON, DTCs B100B1B or B100A1B Stored

Release date: 4/6/2022

Condition

Applicable Vehicles					
Model(s)	Year	Eng. Code	Trans. Code	VIN Range From	VIN Range To
Atlas, Atlas Cross Sport	2021, 2022	All	All	All	All

Revision Table			
Instance Number	Published Date	Version Number	Reason For Update
2066699/1	4/6/2022	69-22-01	Original publication.

Technical Background

Inspect affected seat wiring harness connectors before replacing any components.

DTC	Description
B100B1B	Driver Thorax Airbag - N199 - Ignitor Resistance Too High
B100A1B	Front Passenger Thorax Airbag - N200 - Ignitor Resistance Too High



69-22-01 - Airbag Light ON, DTCs B100B1B or B100A1B Stored

Release date: 4/6/2022

Production Solution

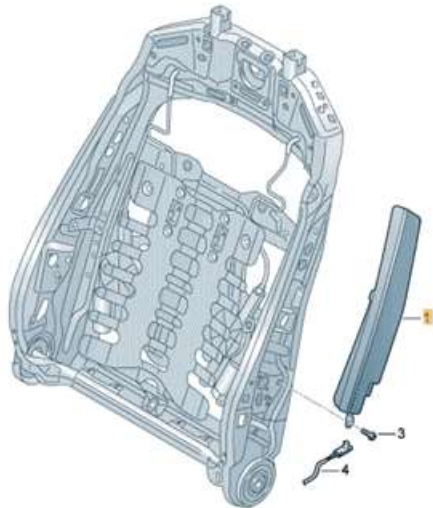
Not applicable.

Service



WARNING:

**Risk of injury due to involuntary deployment.
Before handling pyrotechnic components (for example, disconnecting the connector), the person handling it must “discharge static electricity”. For example, this can be done by briefly touching the door striker.**



- Remove affected seat back rest. See Repair Group number 72 in Elsa.
- Disconnect the Front Thorax Airbag wiring connector following the strict repair information in Elsa. See Repair Group 69.
- Inspect the thorax airbag wiring end connector (4) for damage or poor connection (incorrect harness end connection, pushback pins, wire routing etc), repair as necessary. See Repair Group 97 in Elsa.
- If no wiring damage is noted, reconnect the Thorax Airbag with ignitor.
- Reassemble the seat.
- Clear DTC memory.
- Road Test.
- If Airbag light reoccurs, verify same fault code for thorax airbag and replace the seat harness and airbag.



69-22-01 - Airbag Light ON, DTCs B100B1B or B100A1B Stored

Release date: 4/6/2022

Warranty

To determine if this procedure is covered under Warranty, always refer to the Warranty Policies and Procedures Manual ¹⁾					
Model(s)	Year(s)	Eng. Code(s)	Trans. Code(s)	VIN Range From	VIN Range To
Atlas	2021-2022	All	All	All	All
Atlas Cross Sport	2021-2022	All	All	All	All
SAGA Coding					
Claim Type:	Use applicable Claim Type ¹⁾				
Service Number:	Damage Code		HST	Damage Location (Depends on Service No.)	
6960	0040		--	Use applicable when indicated in Elsa (L/R)	
Parts Manufacturer	Atlas, Atlas Cross Sport			WVO ²⁾	
Labor Operation ³⁾ : Remove and Install Driver Front Seat, Back Rest and inspect airbag harness connector Only			97663599 = 100 TU		
Labor Operation ³⁾ : Remove and Install Passenger Front Seat, Back Rest and inspect airbag harness connector Only			97663699 = 100 TU		
Labor Operation ³⁾ : Replace Thorax seat harness and Thorax airbag (includes seat removal, back rest removal)			97662099 = 120 TU		
Causal Part:			Refer to appropriate labor operation.		
Diagnostic Time ⁴⁾					
GFF Time expenditure	01500000 = 50 TU max.			YES	
Road Test	01210004 = 10 TU			YES	
Technical Diagnosis	01320000 = 00 TU max.			NO	



69-22-01 - Airbag Light ON, DTCs B100B1B or B100A1B Stored

Release date: 4/6/2022

Claim Comment: Input "As per Technical Bulletin 2066699" in comment section of Warranty Claim.

- 1) Vehicle may be outside any Warranty in which case this Technical Bulletin is informational only.
- 2) Code per warranty vendor code policy.
- 3) Labor Time Units (TUs) are subject to change with ELSA updates.
- 4) Documentation required per Warranty Policies and Procedures Manual.

Required Parts and Tools

Refer to ETKA for specific parts.

Tool Description	Tool No:
Midtronics Battery Tester/Charger	InCharge 940 (INC-940) or GRX3000VAS
VAS Diagnostic Tool	VAS 6150/X & VAS 6160/X and ODIS Service with: current online updates
Torque Wrench 6-50Nm	VAG1331A (or equivalent)

Additional Information

All part and service references provided in this Technical Bulletin are subject to change and/or removal. Always check with your Parts Dept. and Repair Manuals for the latest information.