



Volvo Chassis - VAH Models - SNV14-011 Autohauler Unique Cab Parts Identification And Ordering Information; Special Parts For Auto Hauler Vehicles - Model Years 2007 To 2017



> Internal Content

Refer to SNV14-011 Volvo Autohauler Unique Cab Parts Identification and Ordering Information [here](#)



Tags

[snv14-011](#)

[k46537510](#)

[vah](#)

[volvo](#)

Related links and attachments

[SNV14-011.pdf Volvo Autohauler Cab Identification](#)



Feedback

[Give feedback](#)

to help improve the content of this article



To: U.S. and Canada Volvo Dealer Principals
 U.S. and Canada Volvo General Managers
 U.S. and Canada Volvo Service Managers
 U.S. and Canada Volvo Parts Managers
 U.S. and Canada Volvo Body Shop Managers
 U.S. and Canada Volvo Warranty Administrators

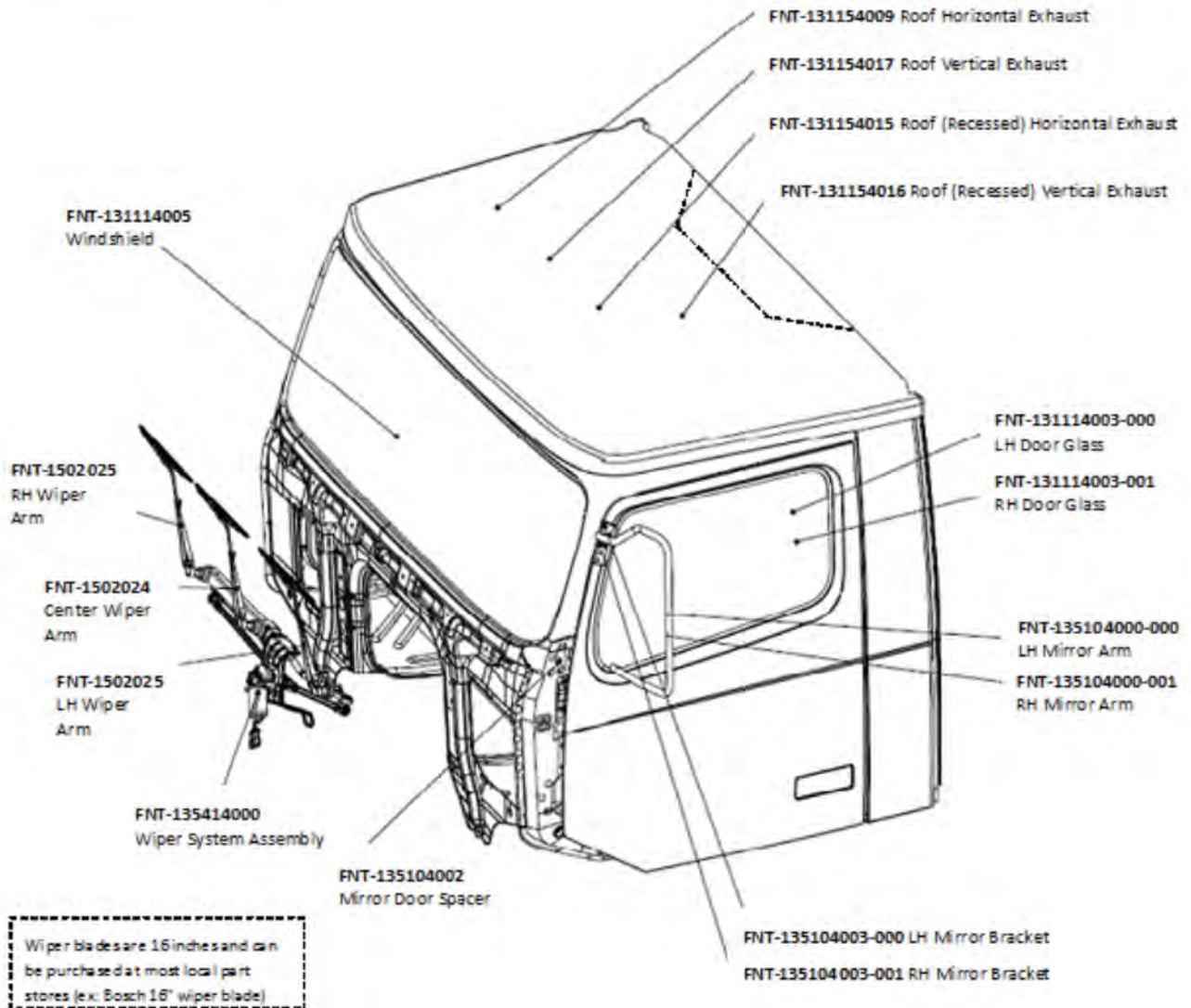
Bulletin: SNV14-011
Date: March 27, 2014
Valid to: December 31, 2014
Replaces: N/A
Priority: **HIGH**

From: Vince Lindley – Director, Warranty & Technical Support

Subject: Volvo Autohauler Unique Cab Parts Identification and Ordering Information

Fontaine Modification Volvo Auto-Hauler Service Parts Identification

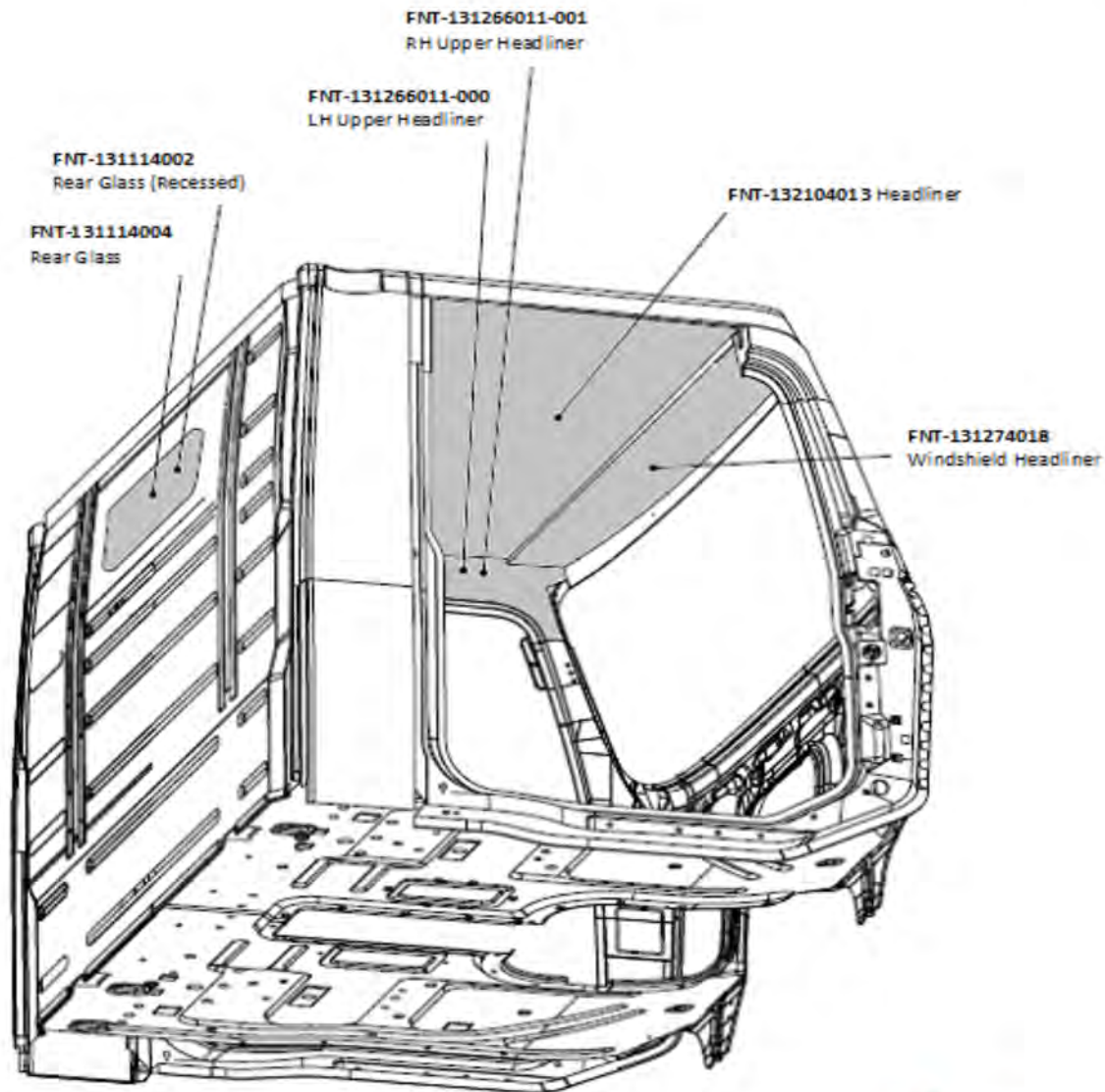
The diagram below should be used to identify parts on a Volvo VN series that has received a lowered roof modification. These trucks can be identified by a sticker located inside the driver's side door jamb with Fontaine Modification's aftermarket information.





Subject: Volvo Autohauler Unique Cab Parts Identification and Ordering Information

Bulletin: SNV14-011
Date: March 27, 2014
Valid to: December 31, 2014



Volvo Auto-Hauler Parts (Model Years 2010-2015)

To place an order, please contact: Ryan Pickett (704) 409-1623 or ryan.pickett@fontainemod.com

** For parts relating to cab structure not found in the diagram above, please contact Fontaine Modification directly

Contact Information

Please direct any questions to your Volvo district service manager.