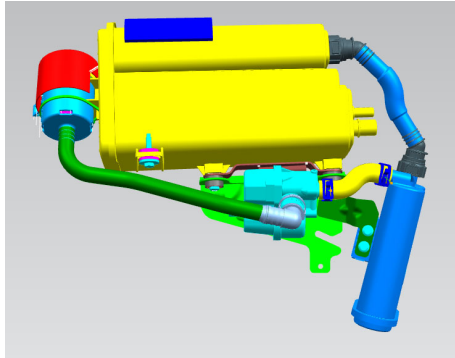
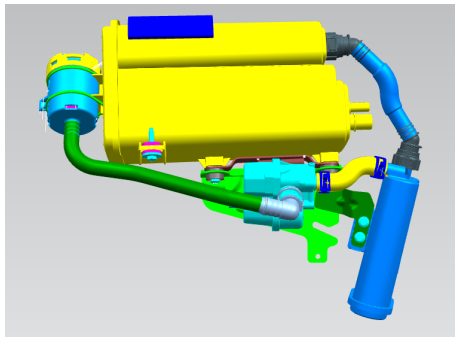


First Check: A

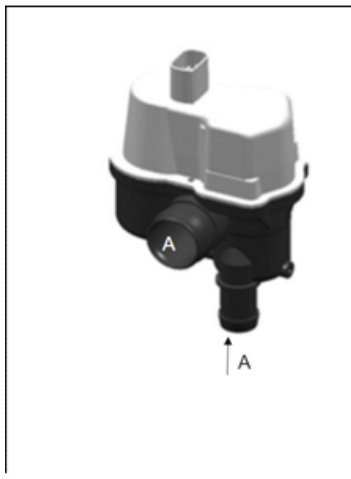
Red Cap fitted-OK



Red Cap Missing-Replace Unit



Second Check: B



Check for dirt or debris on the internal surface (A)

