



Service Bulletin

Bulletin No.: 22-NA-028

Date: February, 2022

TECHNICAL

Subject: Whining/Whirring, Whistle, Squeaking, Groaning/Growling Noise Coming from Front Wheel/Engine Area

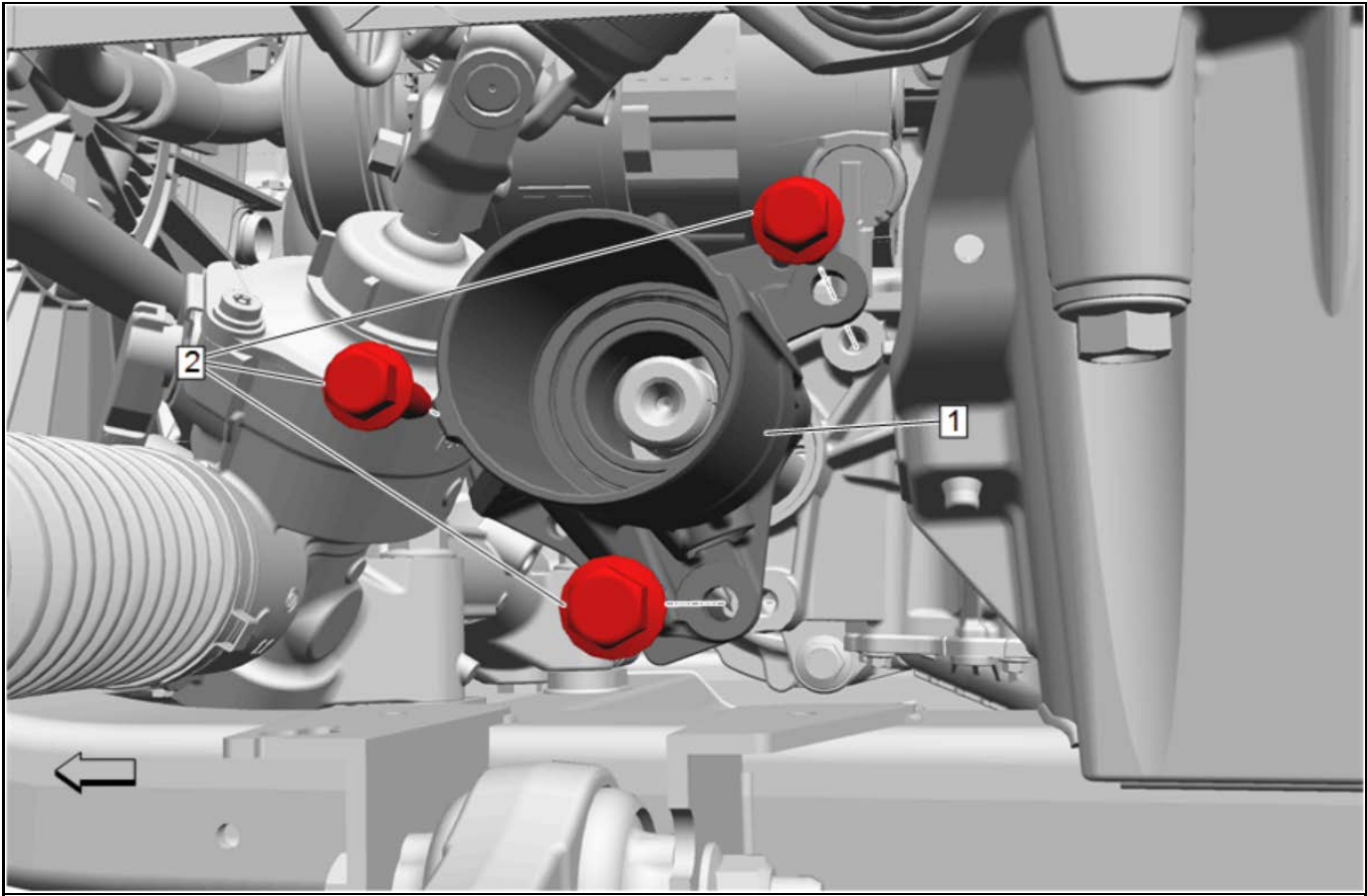
This bulletin replaces PIP5785. Please discard PIP5785.

Brand:	Model:	Model Year:		VIN:		Engine:	Transmission:
		from	to	from	to		
Cadillac	ATS	2016	2019	—	—	—	—
	CTS	2016	2019				
	CT4	2021	2022				
	CT5	2021	2022				

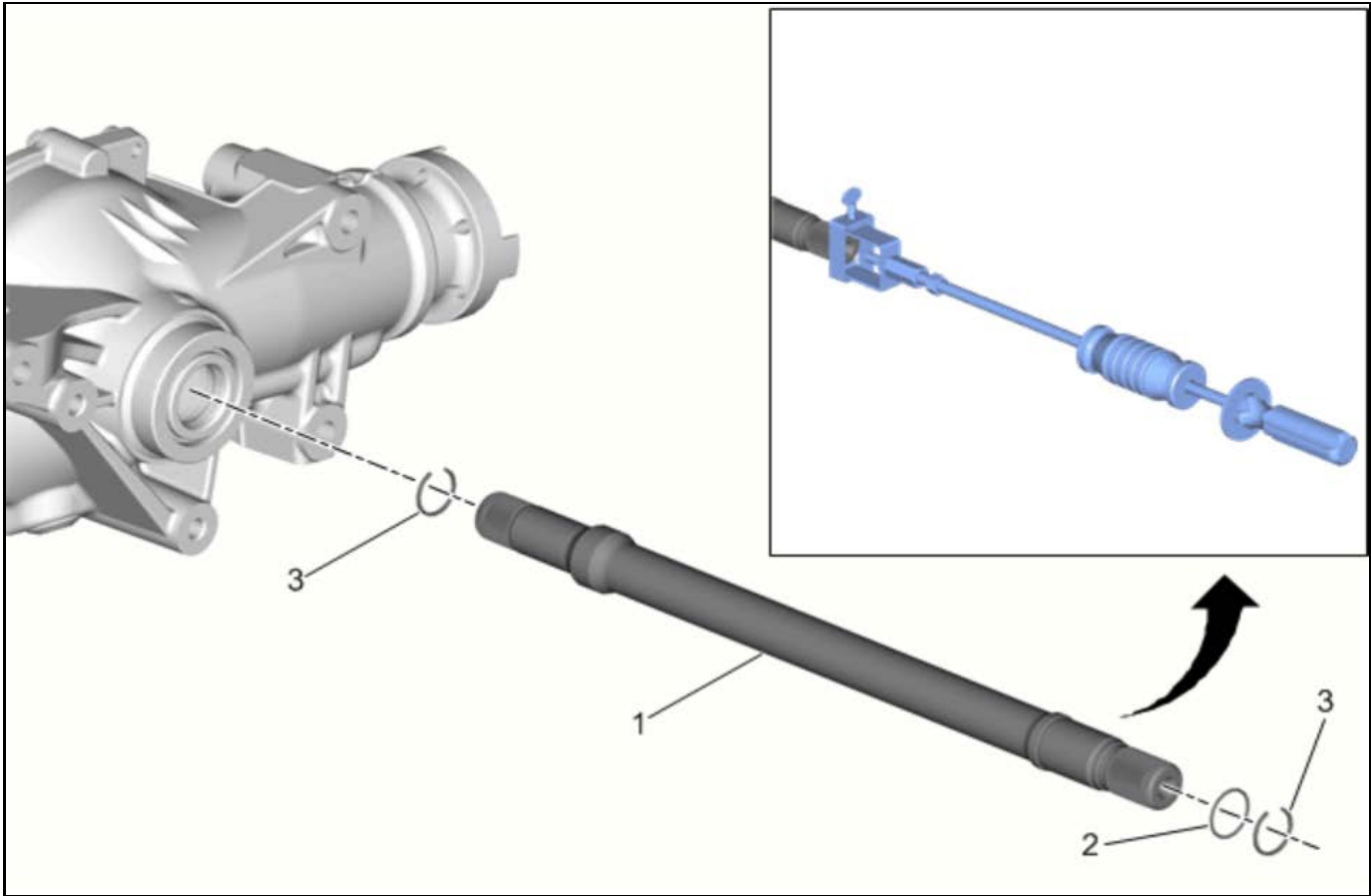
Involved Region or Country	North America
Additional Options (RPO)	CHASSIS DRIVE LINE-ALL WHEEL DRIVE (AWD)/FOUR WHEEL DRIVE (4WD) (RPO F46)
Condition	<p>Some customers may comment on one or more of the following noise conditions at low speeds during driving maneuvers up to 64 km/h (40 mph):</p> <ul style="list-style-type: none"> • Whining/Whirring • Whistle • Squeaking • Groaning/Growling <p>The customer might state this noise is coming from the engine/wheel area.</p>
Cause	<p>This condition may be caused by fretting between the front intermediate shaft (IDS Shaft) and the front intermediate shaft bearing/housing (IDS bearing).</p> <p>– The fretting is the result of having a slip fit interface between the bearing and the IDS shaft, and combined with a bearing that has around 0.5 N•m of torque to rotate (TTR).</p>
Correction	<p>Perform a road test to diagnose fretting noise. Identify if the noise is at the front intermediate shaft housing. Replace both the IDS shaft and IDS bearing housing.</p> <ol style="list-style-type: none"> 1. Try and replicate the customers complaint maneuver (generally the noise is heard while coasting and without brakes being applied). 2. Install Chassis Ears. <ul style="list-style-type: none"> – Identify if the noise is at the front intermediate shaft housing. 3. Once the noise is confirmed and isolated at the front intermediate shaft housing, replace the IDS shaft and IDS shaft housing. Refer to <i>Front Wheel Drive Intermediate Shaft Replacement</i> and <i>Front Wheel Drive Intermediate Shaft Housing Replacement</i> in SI.

Service Procedure

Important: For proper curing, allow the vehicle to sit overnight (12 hours).

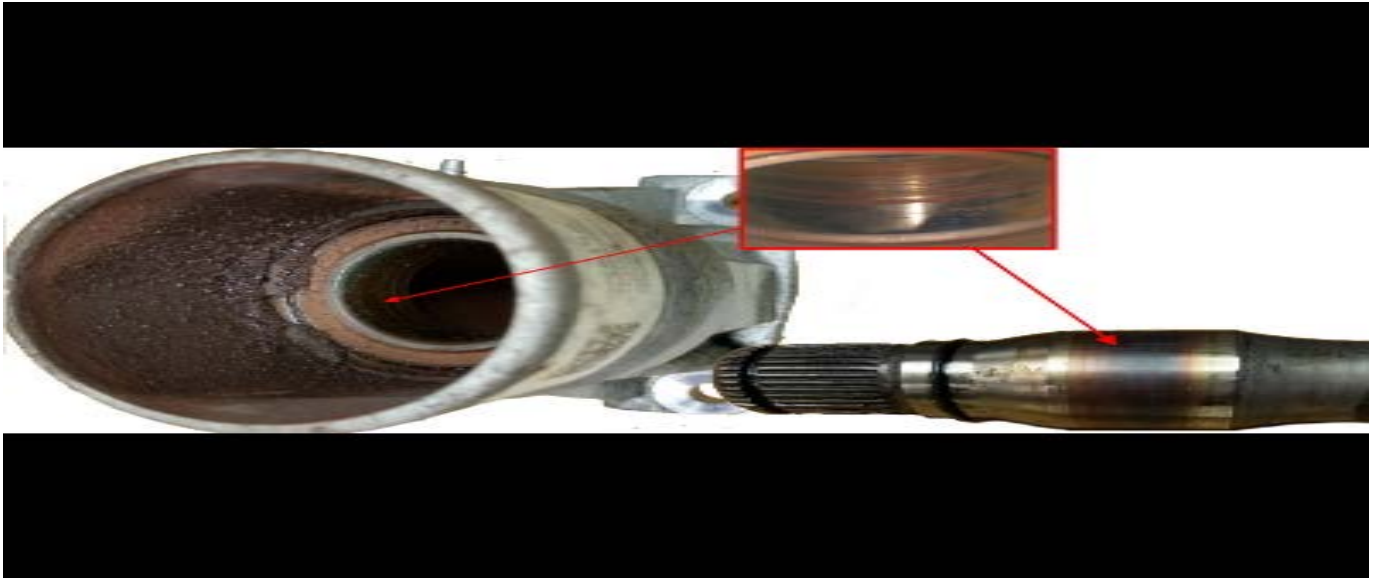


1. Remove the front wheel drive intermediate shaft housing (1). Refer to *Front Wheel Drive Intermediate Shaft Housing Replacement* in SI.



4234084

2. Attach the DT-44467 Output Shaft Assembly Remover/Installer to the shaft (1).
3. Attach the GE-6125-1B Slide Hammer to the DT-44467 Output Shaft Assembly Remover/Installer.
4. Utilizing the tool, remove the front wheel drive intermediate shaft from the front differential carrier.



5875997

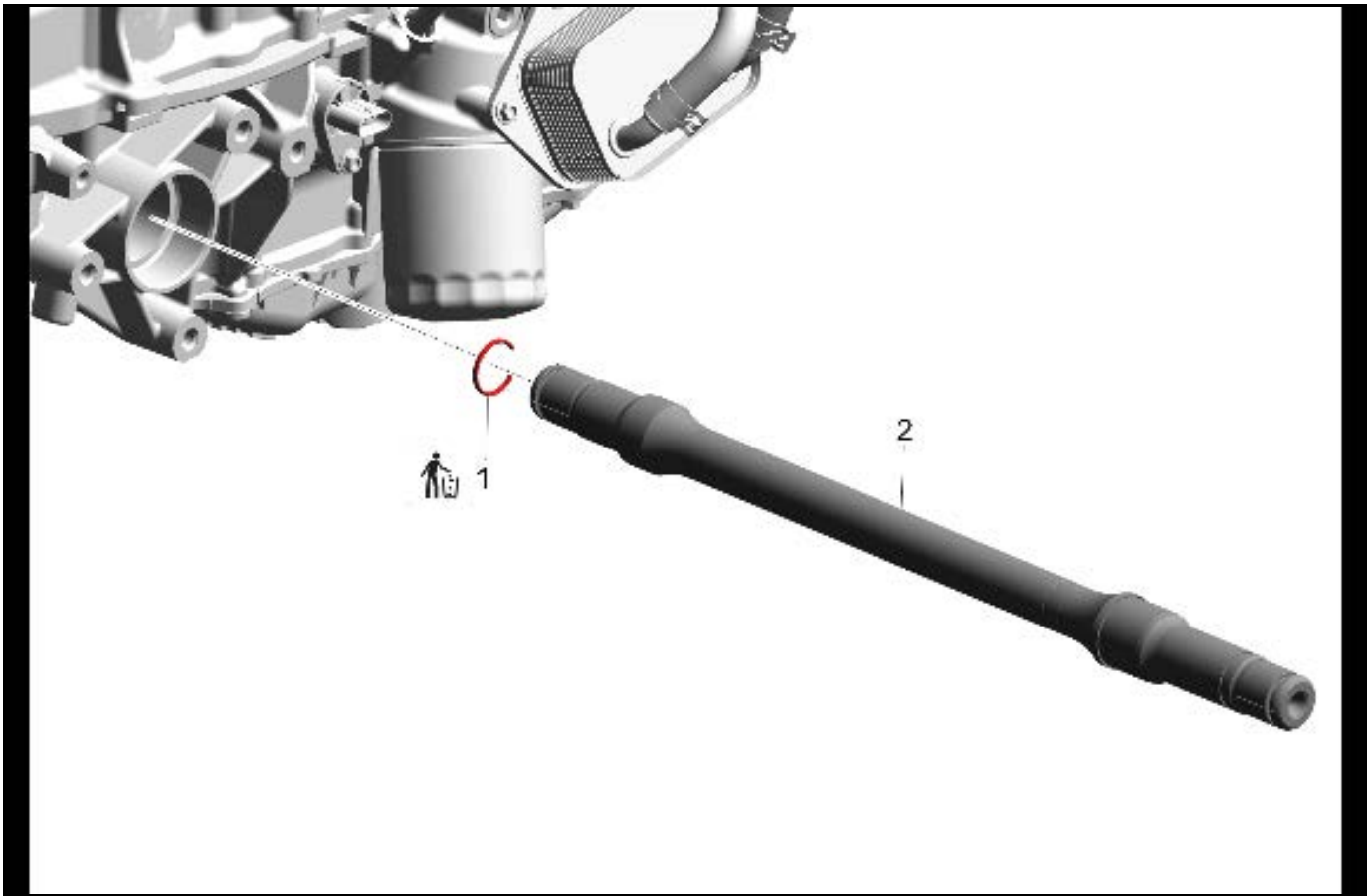
Note: Fretting worn IDS shaft and bracket must be discarded and replaced with new parts.



5902626

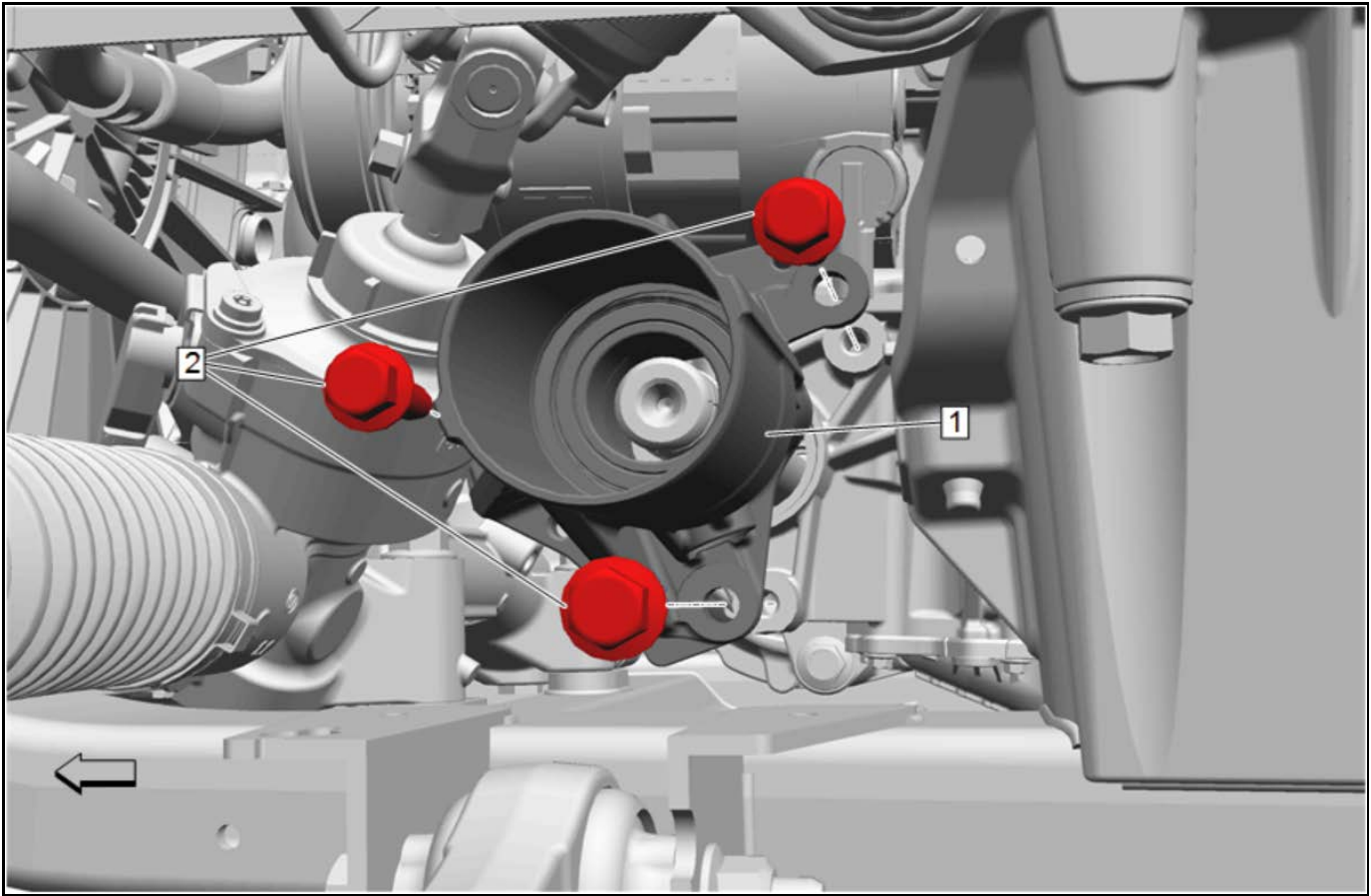
Note: For proper curing, allow the vehicle to sit overnight (12 hours).

5. Using High Strength Slip Fit Bonding Compound, P/N 19333514 (in Canada, use P/N 10953504), apply a thin coating to cover the new inner bearing race.



6. Install the new IDS shaft (2). Refer to *Front Wheel Drive Half Shaft Replacement - Left Side* in SI.

5502695



5344068

7. Install the new IDS housing (1). Refer to *Front Wheel Drive Intermediate Shaft Housing Replacement* in SI.

⇒ Torque the Mounting bolts (2) to 58 N•m (43 lb ft).

Note: If the bolts or nuts are found to be damaged or are excessively worn, DO NOT reuse. Replace with new.

Note: If re-using the propeller shaft bolts, to ensure proper adhesion and fastener retention, the threads must be free of debris prior to the application of thread locker. Use an appropriate cleaner to thoroughly clean the threads and allow to dry. Apply thread locker to the propeller shaft to flange bolts. Ensure that there are no gaps in the thread locker along the length of the filled area of the bolts. Allow the thread locker to cure approximately 10 minutes before installation.

Parts Information

Caution: This vehicle is equipped with torque-to-yield or single use fasteners. Install a NEW torque-to-yield or single use fastener when installing this component. Failure to replace the torque-to-yield or single use fastener could cause damage to the vehicle or components.

Causal Part	Description	Vehicle Application	Part Number	Qty
N/A	Adhesive, High Strength Slip Fit Bonding Compound	All	19333514 (in Canada, use P/N 10953504)	1
X	Front Intermediate Shaft IDS Shaft	ATS, CTS	22772313	
X		CT4, CT5	84632509	
X	IDS Bearing Housing	ATS, CTS 2.0 (LTG)	84098259	
X		ATS, CTS 3.6 (LGX)	84098258	
X		CT4, CT5	84610380	

Warranty Information

For vehicles repaired under the Powertrain coverage, use the following labor operation. Reference the Applicable Warranties section of Investigate Vehicle History (IVH) for coverage information.

Labor Operation	Description	Labor Time
3087188*	Diagnostic Test and drive	0.5 hr
Add	Replace Front Wheel Drive Intermediate Shaft, Bearing Housing, and GM Adhesive (Base)	1.5 hrs
*This is a unique Labor Operation for bulletin use only.		

Version	1
Modified	Released February 01, 2022

