



## SPYDER 2022 Missing Battery Boot - 140196

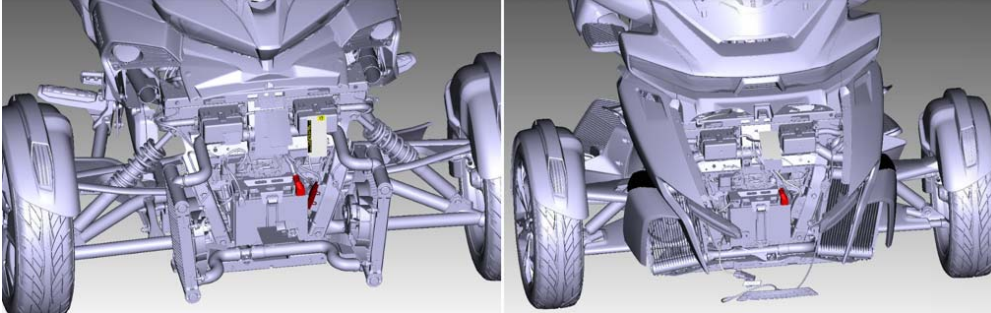
### Article Detail

### Problem:

This unit has been shipped out without the battery harness boot for the positive terminal (710002945).

### Solution:

All affected VINs are linked to this Message & Alert and to the BOD missing components dashboard. Though, the actual warranty campaigns were not updated with this procedure since it takes only +- 10 seconds to install in addition that it is part of the PDI battery activation process.



The boot will be auto-shipped with the other missing components.

### Warranty:

No warranty applies. Part of the PDI battery activation step

---

**First Published By:** Eric Fauteux on 06/28/2022

**Last Modified By:** Eric Fauteux on 06/28/2022