

**Service**

<b>Chassis ID</b>	<b>Path</b> 2651/Technical service bulletins//Charge Air Cooler Revision
<b>Model</b>	<b>Identity</b> 164544237
<b>Publish date</b> 6/30/2022	<b>ID/Operation</b> M-265-001

# Charge Air Cooler Revision

M-265-001

June 2022

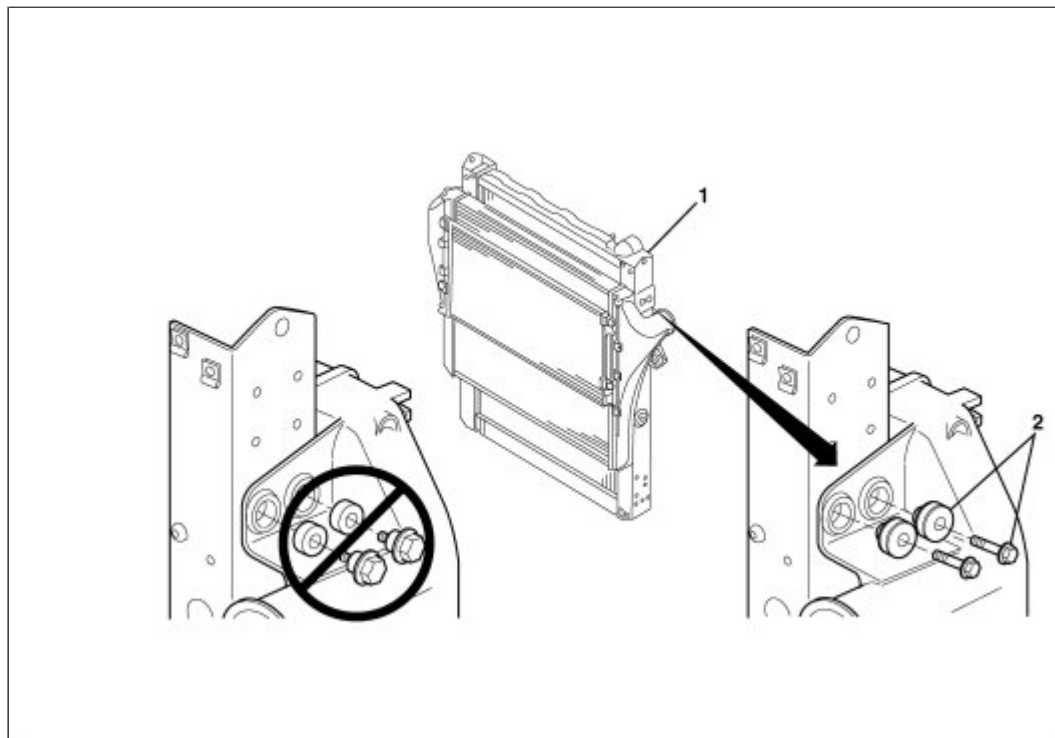
## Valid for

All CXU, CHU, & GU Models built before May 2007

## Case description

A revised charge air cooler (part Nos. 20956580 and 20956585) was implemented into production on all CXU, CHU and GU model chassis. This revised charge air cooler includes a redesigned upper mounting area, whereby the shoulder bolt and bushing arrangement was changed to sleeved washers and mounting bolts. Should replacement of a charge air cooler on a CXU, CHU and GU model manufactured prior to May 2007 be required, the existing shoulder bolts and bushings must be replaced with the sleeved washers and mounting bolts. An upper mounting hardware kit (part No. 85111312), which contains four sleeved washers and four mounting bolts, is available through the MACK Parts System.

## Repair



**Charge Air Cooler Mounting Arrangement (Previous Design Shown on Left)**

Key	Qty.	Part No.	Description	Replaces
1	1	20956580	Charge air cooler, long	20750095
	1	20956585	Charge air cooler, short	20750102
2	1	85111312	Kit, upper mounting	

Copyright to this documentation belongs to the Volvo Group. No reproduction, copying, change, amendment or other similar disposal is entitled without prior written consent by the Volvo Group

The information contained herein is current at the time of its original distribution, but is subject to change. The reader is advised that printed copies are uncontrolled.

			hardware (includes four bolts and four sleeved washers)	
--	--	--	--	--

## Issued by

Technical Service