


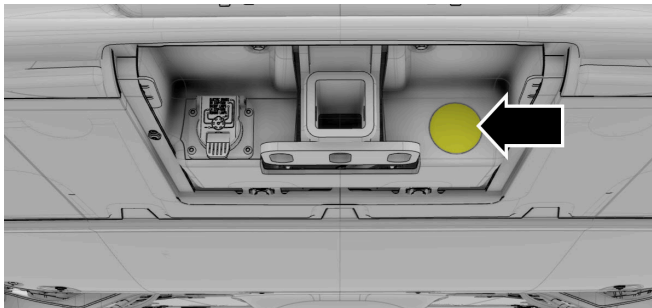
# RCA-78-22-009-1: Trapped Jump Start Wire Harness

Rivian is initiating a customer satisfaction campaign for some model year 2022 R1T vehicles that may have been built with a trapped jump start wire harness. This condition would prevent the jump start wire harness from being accessed in order to supply power to the 12V batteries from an external power source, preventing the vehicle from being “jump started” in the event of an over-discharged 12V battery. Rivian will inspect the jump start wire harness and reroute it if necessary. Rivian is launching this campaign for customer satisfaction and to ensure the quality of Rivian vehicles.

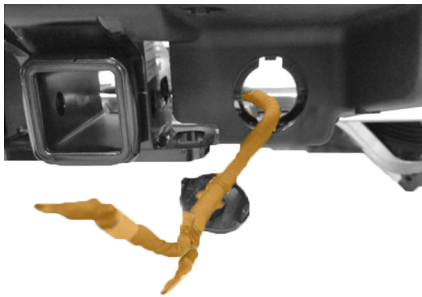
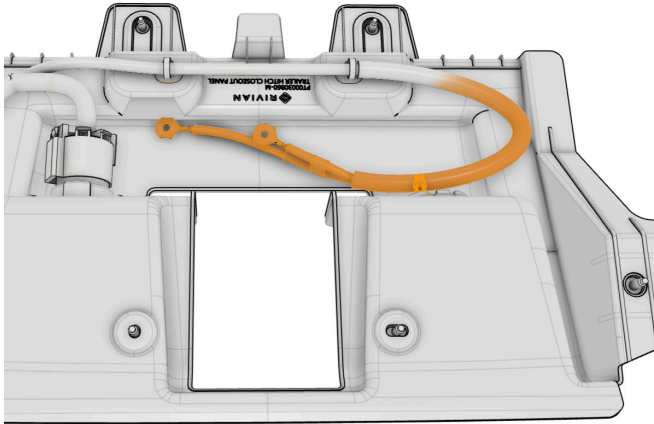
<b>Document Type</b>	Customer Satisfaction Campaign Bulletin
<b>Date</b>	June 10, 2022
<b>Affected Region(s)</b>	USA
<b>Affected Model(s)</b>	R1T
<b>Model Year(s)</b>	2022
<b>Approximate Build Dates</b>   Refer to the FSA Dashboard to determine if this document applies to a specific vehicle.	August 2021 - December 2021
<b>Vehicle System</b>	78 - Low Voltage Electrical
<b>Minimum Service Location</b>	Mobile

## Procedure

1. Remove: Panel, Access, Tow Hitch (refer to service manual procedure 525820010).
- 2.



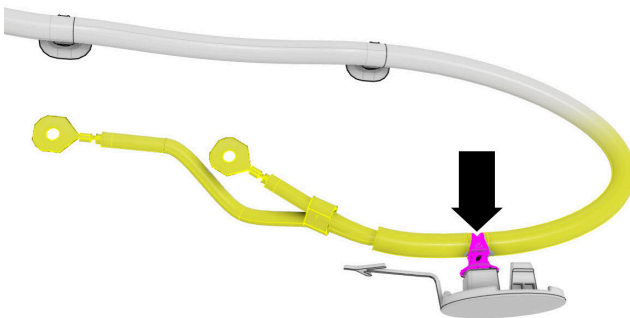
3. Inspect whether the highlighted harnesses are able to be easily pulled out of the vehicle to access the jump start terminals:



 **Note:** Shown with components removed for clarity.

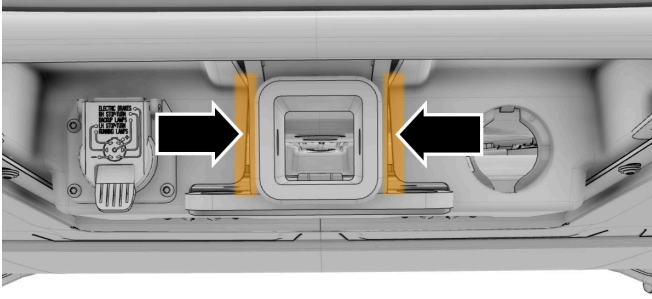
- If the harnesses are able to be easily pulled out of the vehicle to access the jump start terminals: No additional work is required. Reinstall all components that were removed for access and replace all non-reusable components.
- If the harnesses are not able to be easily pulled out of the vehicle to access the jump start terminals: Continue to the next step.

4.

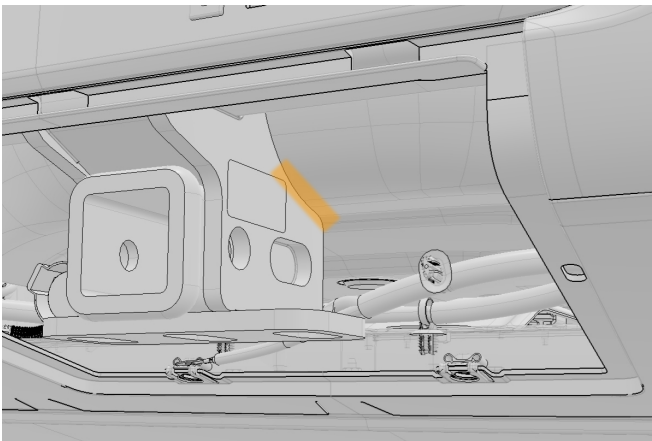
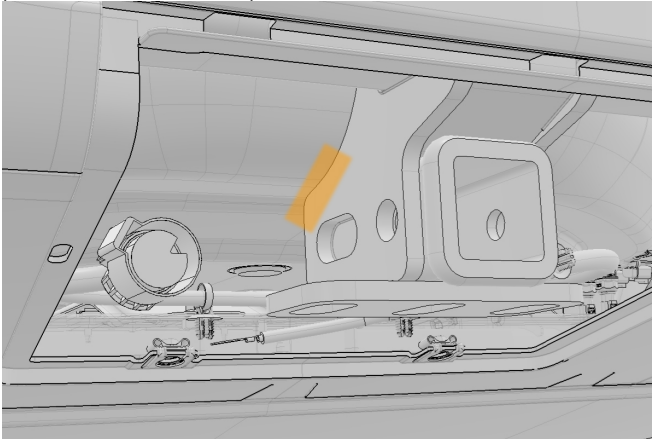


 **Note:** Shown with components removed for clarity.

5. Look through the gaps between the trailer hitch and closeout panel.



6. On both sides: Insert a shim or similar tool through the gap(s) between the trailer hitch and closeout panel. Use the tool to push the harness off of the bracket so that it is not trapped.



7. Make sure that the jump start terminals can be easily pulled out of the vehicle for access.

8. Reinstall all components that were removed for access and replace all non-reusable components.

## Labor Codes

Labor Code	Description
RCA782200900	RCA-78-22-009-1 not applicable
RCA782200901	Vehicle inspection only; jump start wire harness not trapped
RCA782200902	Inspect and reroute jump start wire harness to avoid trapped condition
Contact <a href="mailto:ServiceDocumentFeedback@rivian.com">ServiceDocumentFeedback@rivian.com</a> regarding labor codes and document content.	