

TECHNICAL BULLETIN
J038NAS2
10 NOV 2014



© Jaguar Land Rover North America, LLC

NOTE: The information in Technical Bulletins is intended for use by trained, professional Technicians with the knowledge, tools, and equipment required to do the job properly and safely. It informs these Technicians of conditions that may occur on some vehicles, or provides information that could assist in proper vehicle service. The procedures should not be performed by 'do-it-yourselfers'. If you are not a Retailer, do not assume that a condition described affects your vehicle. Contact an authorized Jaguar service facility to determine whether this bulletin applies to a specific vehicle.

Changes are highlighted in gray

SECTION: 303-00

Emissions Recall: Engine Malfunction Indicator Lamp Illuminated

AFFECTED VEHICLE RANGE:

XJ Range (X351)

Model Year: 2010-2012
VIN: V00001-V39426

XF (X250)

Model Year: 2010-2012
VIN: R47154-S61361

Engine:

V8 5.0L Petrol
V8 S/C 5.0L Petrol

XK Range (X150)

Model Year: 2010-2014
VIN: B32753-B54400

MARKETS:

NAS

CONDITION SUMMARY:

Situation: An issue has been identified on a number of 2010-2012 model year XF (X250) and XJ (X351) vehicles, and 2010-2014 model year XK (X150) vehicles fitted with the 5.0L V8 engine (naturally aspirated and supercharged) within the listed VIN ranges. The condition may cause the engine Malfunction Indicator Lamp (MIL) to illuminate with Diagnostic Trouble Code (DTC) P0316 in addition to one or more of the P0301-P0308 codes stored in the Engine Control Module (ECM). This condition will have no effect on the vehicle's performance, but may reduce the vehicle's ability to control tailpipe emissions.

Action: Retailers are required to **HOLD** all affected vehicles that are within your control and refrain from releasing the vehicles for new or used vehicle sale pending completion of the rework action detailed in this Technical Bulletin. Unsold vehicles should have this performed as part of the Pre-Delivery Inspection (PDI) process but must have it completed prior to vehicle handover to the customer. Affected vehicles already in the hands of customers should be updated at the next available opportunity.

PARTS:




NOTE: an allowance of \$0.50 US for the Authorized Modification Label has been provided and should be claimed using code 'ZZZ001'.



NOTE: * when ordering parts, order only the expected percentage demand of parts identified

 **NOTE: ** order quantity of '1-25' will ship as 1 (one) pack of 25 labels**

 **NOTE: *** order quantity of '1' (one) is a pack of 25 certificates**

DESCRIPTION	PART No. / SUNDRY CODE	QTY. / VALUE	EXPECTED % of VEHICLES REQUIRING PARTS*
Authorized Modification Label	JLM21848	1**	100
CA Vehicle Emission Recall - Proof of Correction Certificate (California-registered vehicles only)	JLM21849	1***	100 (California-registered vehicles only)


SPECIAL TOOLS:

 **NOTE: This document is an 'Active Bulletin' that will display a functional programming shortcut if accessed within a diagnostic session using SDD.**

SDD with latest SDD-DVD and Calibration File; first available on DVD139.06 v.189

Jaguar Land Rover-approved Midtronics Battery Power Supply

WARRANTY:

 **NOTE: Check DDW to ensure that a vehicle is affected by this program prior to undertaking any rework action. Repair procedures are under constant review, and therefore times / prices are subject to change; those quoted here must be taken as guidance only. Refer to TOPIX to obtain the latest repair time. At the time of confirming a booking for vehicle repair, ensure that all outstanding Service Actions are identified to ensure the correct parts are available and adequate workshop time is allocated for repairs to be completed at one visit.**

Warranty claims must be submitted quoting Program Code '**J038**' together with the relevant Option Code from the table. The SRO and part information listed have been included for information only. The Option Code(s) that allows for the drive in / drive out allowance may only be claimed if the vehicle is brought into the workshop for this action alone to be undertaken.

Warranty claims must be submitted for payment within 30 calendar days of completion of the repair.

PROGRAM CODE	OPTION CODE	DESCRIPTION	SRO	TIME (HOURS)	PARTS / SUNDRY CODE	QTY. / VALUE
J038	B	Update Engine Control Module software	86.99.13	0.30	- ZZZ001	- \$0.50
J038	C	Update Engine Control Module software Drive in/drive out	86.99.13 10.10.10	0.30 0.10	- ZZZ001 -	- \$0.50 -

An allowance of \$0.50 (US) for the Authorized Modification Label has been provided and should be claimed using code 'ZZZ001'

Normal Warranty policies and procedures apply

SERVICE INSTRUCTION:

CAUTION: XJ (X351 ONLY): to prevent service interval data corruption, it is required that the Engine Control Module (ECM) fuse be removed before configuring the Powertrain Control Module (PCM) as per the Service Instruction below.

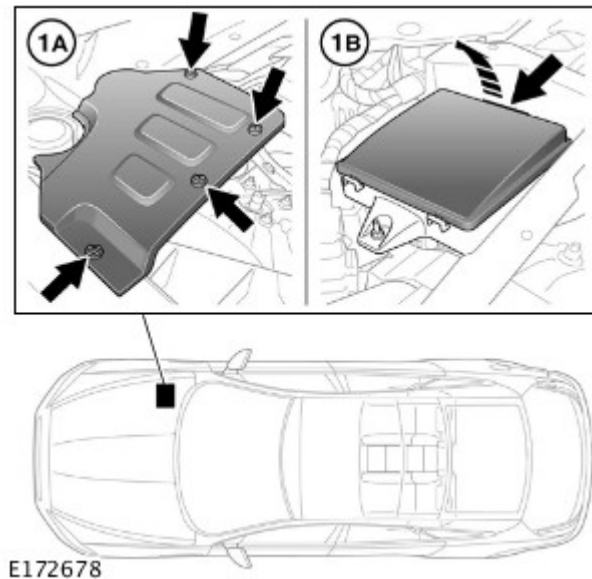
CAUTION: A Jaguar Land Rover-approved Midtronics battery power supply must be connected to the vehicle battery during SDD diagnosis / module programming.

CAUTION: Ensure all ignition 'ON' / ignition 'OFF' requests are carried out; failure to perform these steps may cause damage to control modules in the vehicle.

NOTE: SDD must be loaded with DVD139.06 v.189 or later.

1. **NOTE: XJ (X351) ONLY.**

XJ (X351) engine compartment fuse box location.



2. Connect the Jaguar Land Rover-approved Midtronics battery power supply to the vehicle battery.

CAUTION: XJ (X351) ONLY: when instructed to select the 'tick' to configure the Powertrain Control Module (PCM), the Engine Control Module (ECM) fuse must be removed prior to selecting the 'tick'. The fuse box is located in the engine compartment (see Step 1). The ECM fuse number is F3 - fuse rating 5A. When the software download is complete and SDD states to set the ignition switch to 'OFF' (position 0), switch the ignition 'OFF' and then wait 10 seconds before installing the previously removed ECM fuse. Once the fuse has been refitted, continue with the SDD command prompts.


NOTE: The Engine Control Module (ECM) may also be referred to as Powertrain Control Module (PCM).

3. Turn ignition 'ON' (engine not running).

4. Connect the Symptom Driven Diagnostics (SDD) system to the vehicle and begin a new session.
5. Follow the on-screen prompts, allowing SDD to read the VIN and identify the vehicle and initiating the data collect sequence.
6. Select 'Diagnosis' from the Session Type screen.
7. Select the 'Selected Symptoms' tab, and then select the following:
 - Powertrain - Engine system - Engine performance

8. Read and close any publication from the list of recommended candidates to expose the 'Extras' tab.

9. Select the 'Extras' tab.

10.  **CAUTION: XJ (X351) ONLY: when instructed to select the 'tick' to configure the Powertrain Control Module (PCM), the Engine Control Module (ECM) fuse must be removed prior to selecting the 'tick'. The fuse box is located in the engine compartment (see Step 1). The ECM fuse number is F3 - fuse rating 5A. When the software download is complete and SDD states to set the ignition switch to 'OFF' (position 0), switch the ignition 'OFF' and then wait 10 seconds before installing the previously removed ECM fuse. Once the fuse has been refitted, continue with the SDD command prompts.**

From the Recommendations tab, select **Run** to perform the 'Configure existing module – Powertrain control module' option.

- **XJ (X351) ONLY:** when the software download is complete and SDD states to set the ignition switch to 'OFF' (position 0), switch the ignition 'OFF' and then wait 10 seconds before installing the previously removed ECM fuse. Once the fuse has been refitted, continue with the SDD command prompts.
11. Follow all on-screen instructions to complete this task.
 12. Exit the current session.
 13. Disconnect the SDD and the battery power supply from the vehicle.
 14. Install a completed 'Authorized Modification Label' to the radiator support panel.
 15. **California-registered vehicles only:** hand customer completed 'CA Vehicle Emission Recall - Proof of Correction Certificate' at vehicle handover.