



Powering Business Worldwide

BACKED BY
Roadranger
SUPPORT

Subject: Engine Flywheel Housing Requirements and Fault Code 250 – Endurant HD and PACCAR Transmission

Document Number: TAIB-0878

Updated: May 17, 2021

Updated: July 22, 2019

Issue Description:

Customers may experience Transmission Control Module (TCM) fault codes and transmission performance complaints after replacing the engine, engine flywheel housing, clutch, or transmission.

TCM may report fault codes:

Fault Code	SPN	FMI	Description
250	33	7	Linear Clutch Actuator Position
250	33	9	Linear Clutch Actuator Position

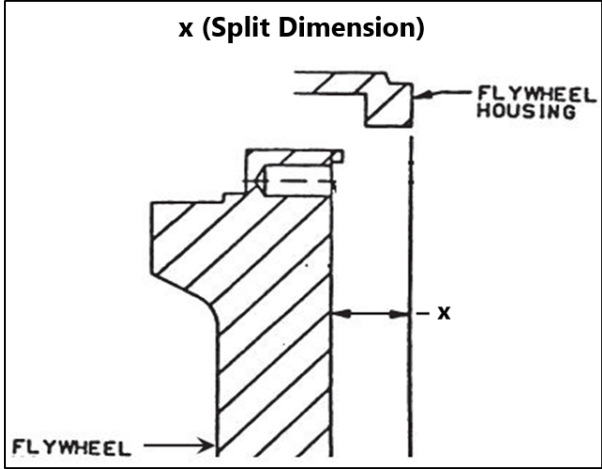
The Endurant Transmission requires a specific engine flywheel housing to ensure the correct Split Dimension. The Split Dimension is the distance from the engine flywheel machined surface to the engine flywheel housing where the transmission clutch housing attaches.

Affected Models/Population:

- Endurant HD Transmissions
- PACCAR Transmissions

Field Strategy:

1. If the engine or engine flywheel housing requires replacement, contact the OEM and/or engine manufacturer to identify the engine flywheel housing part number based on the transmission model.
2. To verify the correct engine flywheel housing is installed, measure the Split Dimension and reference the chart below:
3. Fault Code 250 may also be set if the incorrect clutch release bearing is installed. Reference TRSM0950 for release bearing dimensions.
4. Fault Code 250 may also be set if a replacement transmission has the incorrect input shaft dimension. Reference TRSM0950 for input shaft dimensions and service transmission identification.



Endurant and PACCAR Transmissions				
OEM	Engine	x (Split Dimension)		Details
		mm	in	
Navistar	A26	65.70-67.59	2.59-2.66	66.645mm (+/-0.9445)
Navistar	X15	65.70-67.59	2.59-2.66	
PACCAR*	MX13/15	65.70-67.59	2.59-2.66	
PACCAR	X15	65.70-67.59	2.59-2.66	
Volvo	X15	59.8	2.35	
DTNA	X15	59.8	2.35	
DTNA	DD13/15	56.63-59.17	2.23-2.33	57.9mm (+/-1.27)
UltraShift PLUS/Fuller Advantage Automated				
All	All	63.50	2.50	

Note: *PACCAR Transmission
Note: Reference TRSM0950 Endurant Service Manual for the latest Endurant HD Service Manual link and OEM specific service parts.

Warranty Information:
 Informational only.

The material contained in this bulletin is product improvement information. Eaton Corporation is not committed to, or liable for, canvassing existing products. FSUD: 2019-FSUD-2774