



# Preliminary Information

## PIT5923 Component Naming and Labor Operation Code Usage For The Air Leveling RPO F47 and Electronic Suspension Control RPO Z95 Systems

Models

Brand:	Model:	Model Years:	VIN:		Engine:	Transmissions:
			from	to		
Cadillac	Escalade Models	2021 - 2022	All	All	All	All
Chevrolet	Suburban	2021 - 2022	All	All	All	All
Chevrolet	Tahoe	2021 - 2022	All	All	All	All
GMC	Yukon Models	2021 - 2022	All	All	All	All

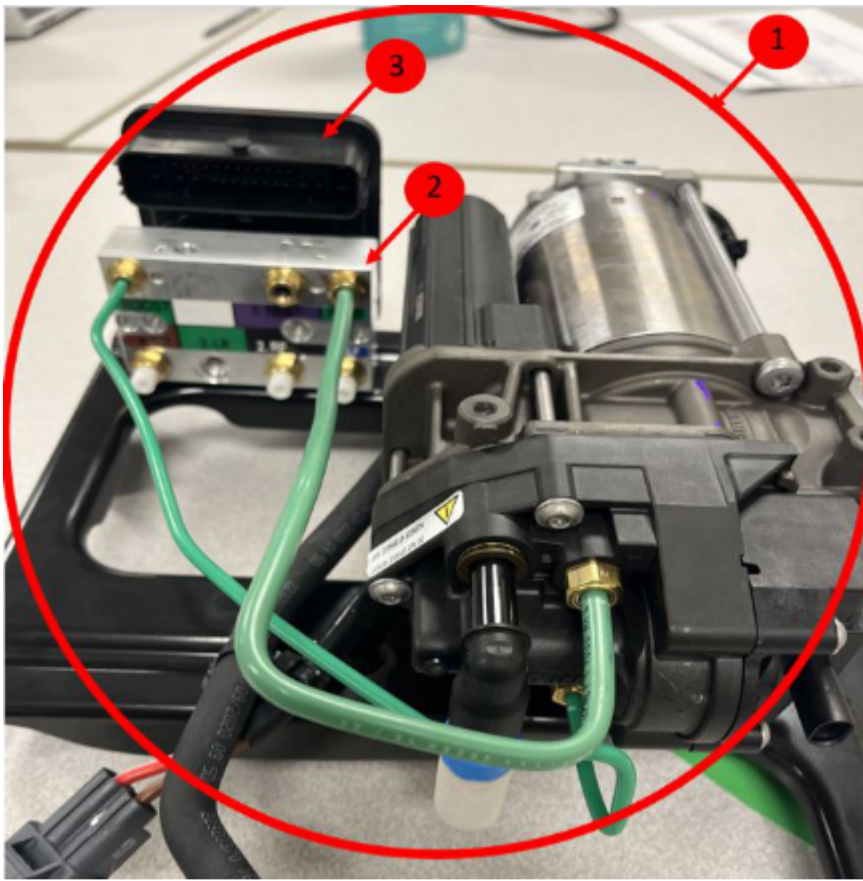
Involved Region or Country	North America
Additional Options (RPO)	F47 and/or Z95
Condition	There has been some confusion with the component naming and labor operation code usage when servicing either the Air Leveling system RPO F47 and/or the Electronic Suspension Control System RPO Z95. This PI will provide information on the component naming and labor operation usage.
Cause	New systems.

Correction:

Air Leveling system RPO F47 Component Naming and Labor Operation Codes:

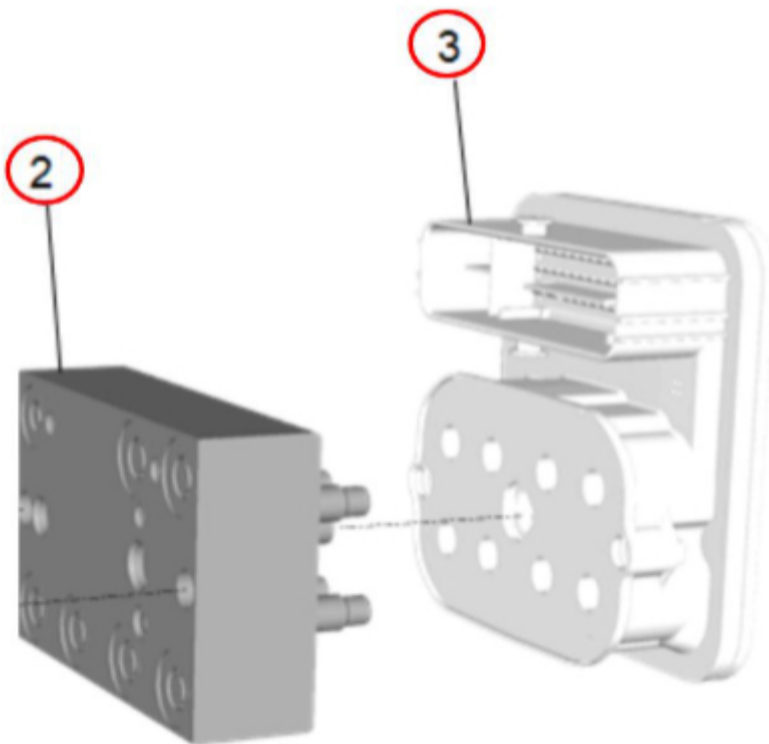
Item 1 shown below includes everything shown in the red circle and is called the "Automatic Level Control Module". The main reason this complete assembly would be replaced is if the air compressor itself needed to be replaced. Use labor operation 8020980 if this complete assembly is being replaced.

**Note:** Items 2 and 3 can be replaced separately from the complete "Automatic Level Control Module" assembly, see below for more info.



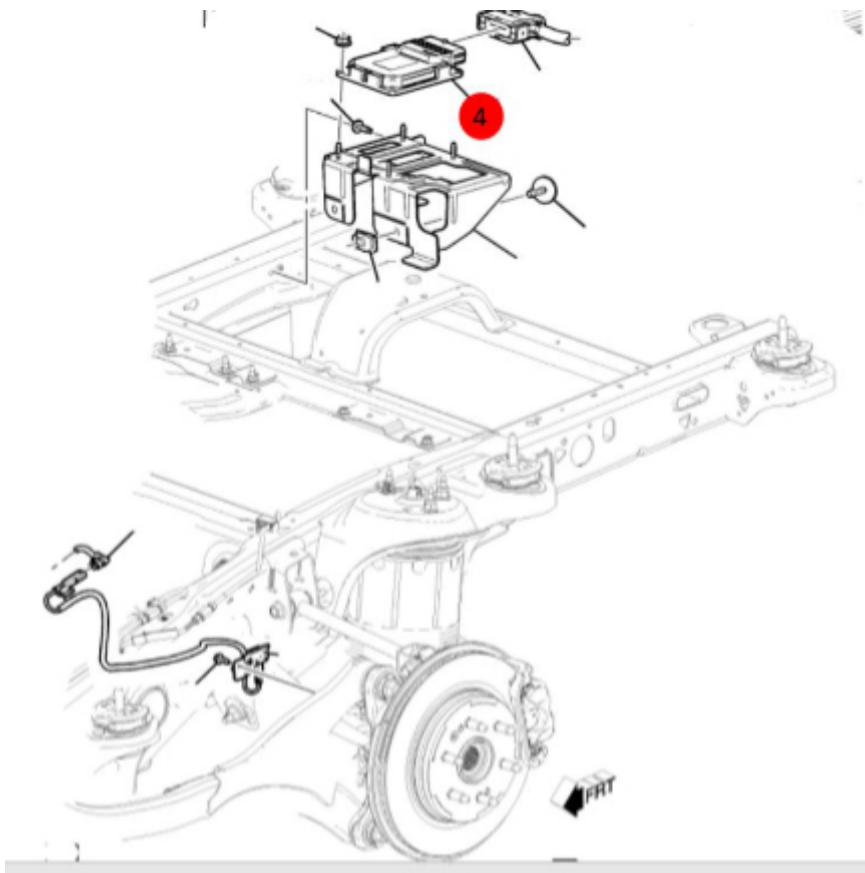
Items 2 and 3, shown above and below, can be replaced separately from the complete Automatic Level Control Module assembly.

Item 2 is the "Air Suspension Controller" and labor operation 8020710 should be used if it is replaced.  
Item 3 is the "Air Suspension Control Module" and labor operation 8020700 should be used if it is replaced.



Electronic Suspension Control System RPO Z95 Component Naming and Labor Operation Code:

Item 4 is the Suspension Control Module and labor operation 8020010 should be used if it is being replaced.



### Warranty Information

For vehicles repaired under the Bumper-to-Bumper coverage (Canada Base Warranty coverage), use the following labor operation. Reference the Applicable Warranties section of Investigate Vehicle History (IVH) for coverage information.

Labor Operation	Description	Labor Time	Item Number
8020980	Automatic Level Control Module	Use Published Time	1
8020710	Air Suspension Controller	Use Published Time	2
8020700	Air Suspension Control Module	Use Published Time	3
8020010	Suspension Control Module Replacement	Use Published Time	4

### Version History

Version	1
Modified	06/09/2022 - Created on.



GENERAL MOTORS

© 2022 General Motors. All Rights Reserved.