



# Technical Service Bulletin

**Technical Service Bulletin:** TSB220149

**Released Date:** 21-Jul-2022

**Campaign 4915: Loose or Missing Bolts on C70D2RE - C275D2RE Rental Trailers**

## Campaign 4915: Loose or Missing Bolts on C70D2RE - C275D2RE Rental Trailers

### Warranty Statement

The information in this document authorizes specific changes to the repair practice for failures covered under product warranty coverages.

### Contents

#### Products Affected

- C70D2RE (Spec A - B)
- C100D2RE (Spec A - D)
- C150D2RE (Spec A - G)
- C200D2RE (Spec A - G)
- C275D2RE (Spec A - F)

#### Issue

##### Symptom:

- Rental trailer bolts, nuts, and washers associated with the C70D2RE - C275D2RE generator sets have been found loose and or missing (Figure 1). The C70D2RE - C200D2RE generator sets have welded nuts, while the C275DRE generators set has loose nuts.



Figure 1: Loose and missing trailer bolts

#### Root Cause:

- Defect found within manufacturing processes that has been remediated.

#### Verification/Confirmation

If the C70D2RE - C275D2RE generator sets have loose or missing bolts, nuts, and washers, proceed to the resolution section.

#### Resolution

Torque the bolts, nuts and washers, if loose, and replace, if missing. Refer to Service Instructions section for more details.

#### Service Instructions

**Service Instructions to install loose and missing bolts, nuts, and washers:**

**Replace Missing bolts and Reuse Loose bolts (Recommended)**

C70D2RE – C275D2RE Generator Sets:

For missing bolts:

- Replace the missing bolts, nuts and washers at the locations shown in Figures 2-4 with the hardware specified in Table 1 for each generator set. Refer to the service availability section for Table 1.

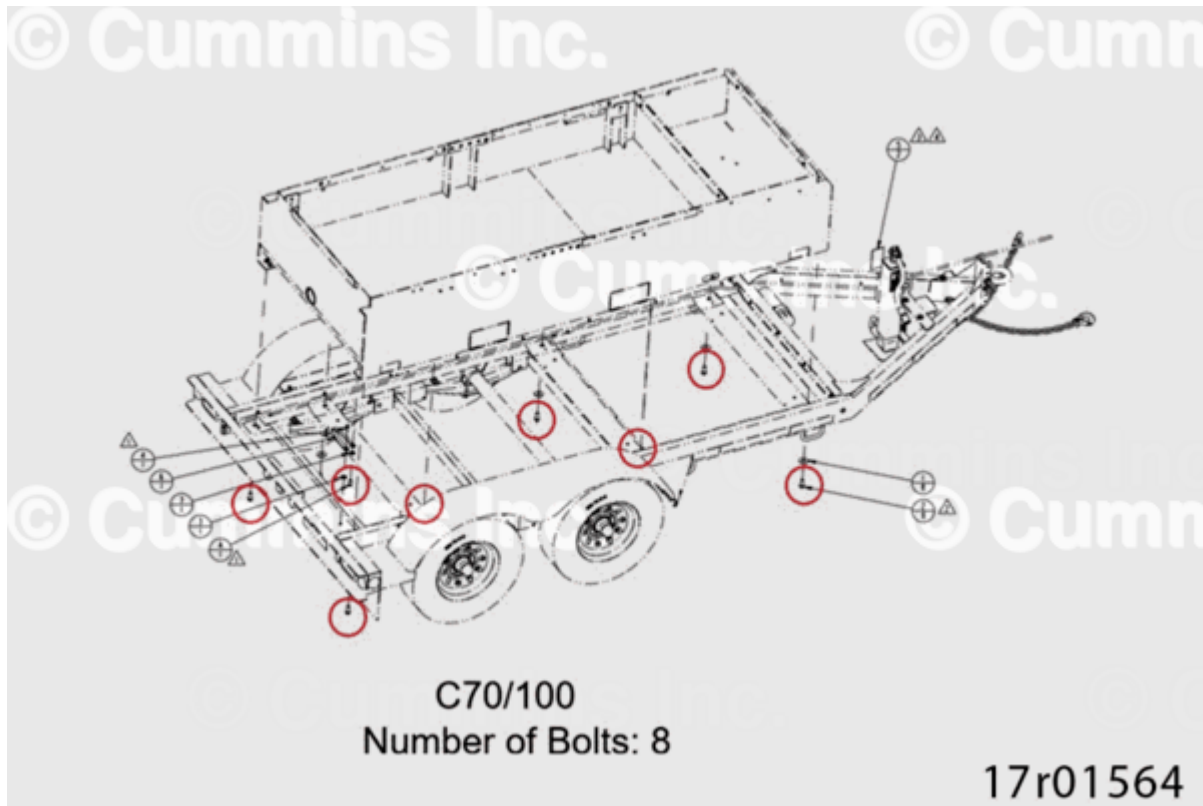


Figure 2. Trailer bolt locations for the C70D2RE/C100D2RE generator sets. It has a total of 8 bolts.

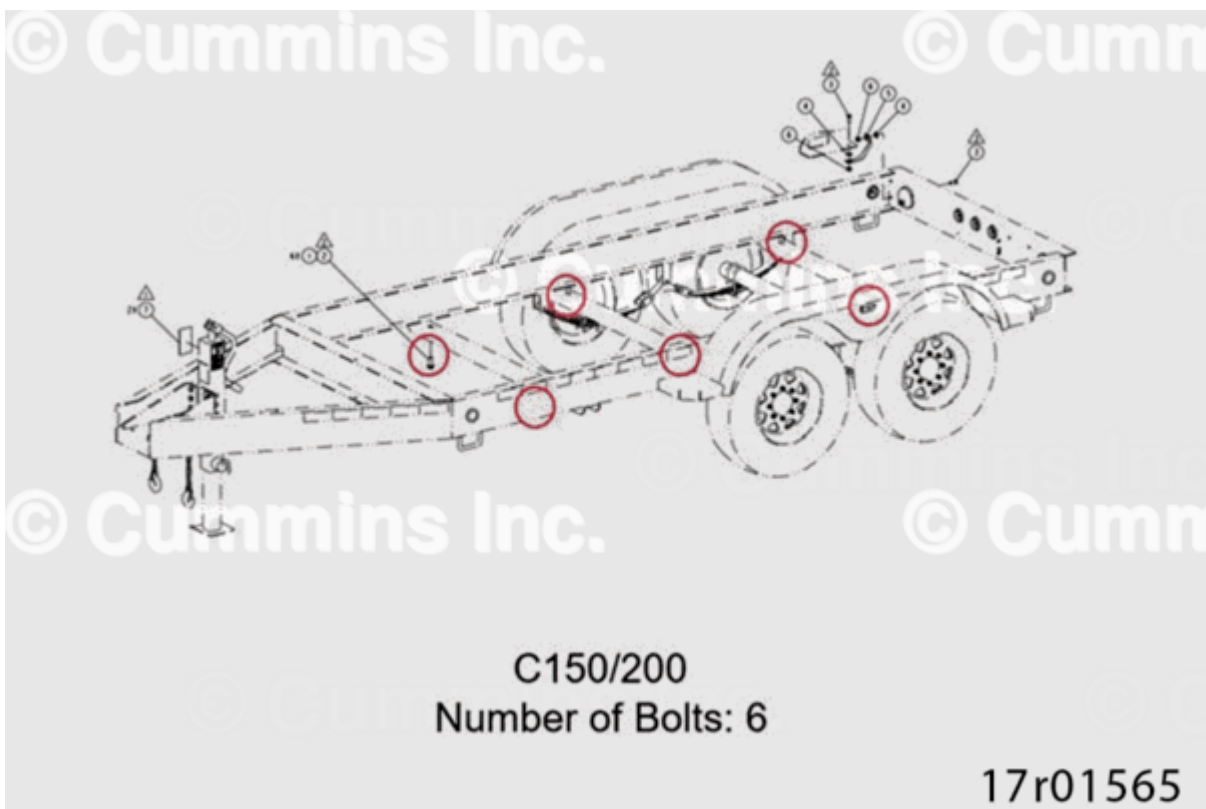


Figure 3. Trailer bolt locations for the C150D2RE/C200D2RE generator sets. It has a total of 6 bolts.

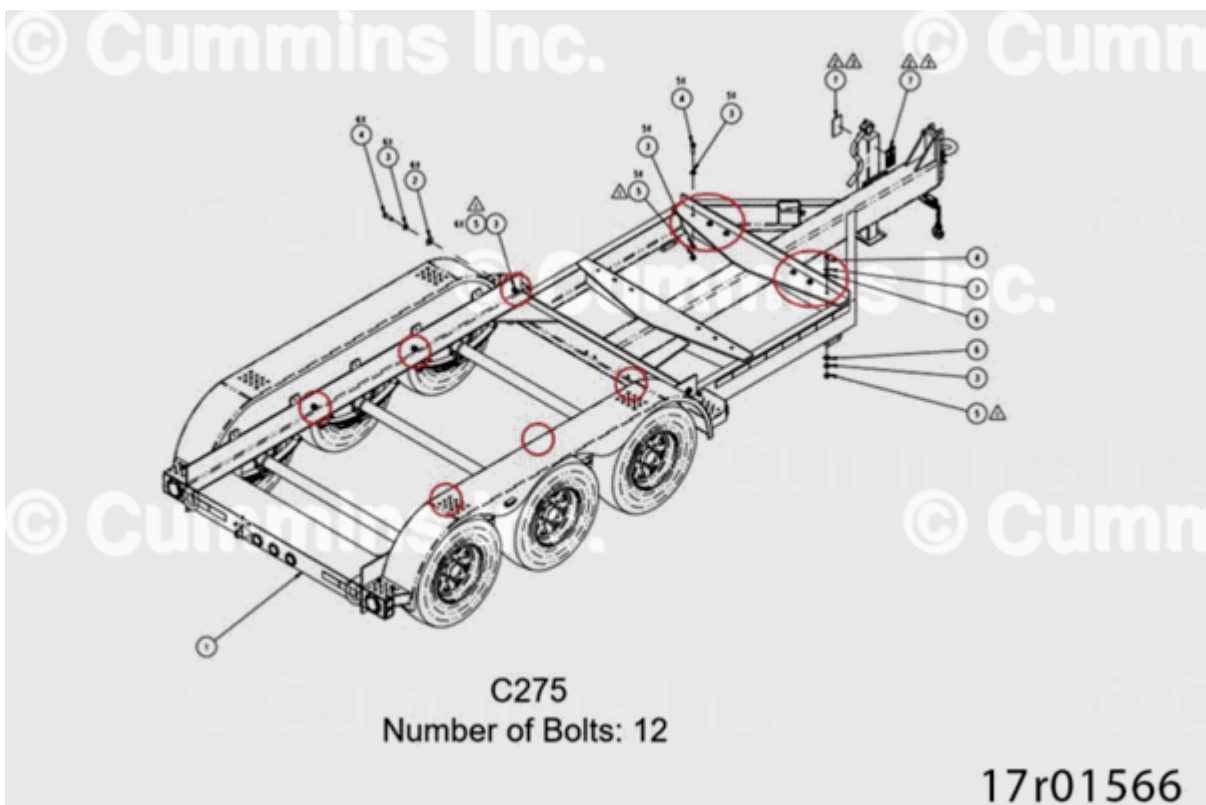


Figure 4. Rental trailer bolt locations for the C275D2RE generator sets. It has a total of 12 bolts.

- Torque bolt to spec as specified in Table 1.

For loose bolts:

- Torque bolt to spec as specified in Table 1.

**Note:** Some of the bolts, washers, and nuts may not be available in the aftermarket. Source locally by referring to materials specifications listed in Table 1.

### Service Availability

Source locally. See Table 1 for materials specifications.

Bolts specifications and torque values currently used in C70D2RE – C275D2RE generator sets. See Table 1.

Generator Set Model	C70D2RE	C100D2RE	C150D2RE	C200D2RE	C275D2RE
Bolt PN to Part Number	A051F257	A051F257	0800-0599-05	0800-0599-05	0800-0135
Bolt Thread Size	M16X2	M16X2	5/8-11 UNC-2A	5/8-11 UNC-2A	5/8-11
Material	Carbon Steel	Carbon Steel	Carbon Steel (SAE J429)	Carbon Steel (SAE J429)	Carbon Steel (SAE J429)
Class	10.9	10.9	-	-	-
Grade	-	-	8	8	5
Finish	Zn Plating (ASTB633)	Zn Plating (ASTB633)	Zn Plating (ASTM F1136)	Zn Plating (ASTM F1136)	Plain
Length (mm)	40 (1.6 in)	40 (1.6 in)	50.8 (2 in)	50.8 (2 in)	57.15 (2.3 in)
Washer	A052E739	A052E739	A007L050	A007L050	0526-0399-45
Nut	Welded	Welded	Welded	Welded	0862-0007
Torque (Nm)	203-249 (150-184 ft-lb)	203-249 (150-184 ft-lb)	183-224 (135-166 ft-lb)	183-224 (135-166 ft-lb)	183-224 (135-166 ft-lb)
Loctite	None	None	None	None	None

## Document History

Date	Details
2022-7-14	Module Created

---

**Last Modified: 21-Jul-2022**

---

<https://cst.cummins.com> <http://edsprod.cummins.com> <https://gpst.cummins.com>  
<https://quickserve.cummins.com> <https://parts.cummins.com> <https://store.cummins.com>  
<https://wwsps.cummins.com> <https://access.cummins.com> <https://commerce.cummins.com>  
<https://qsservices.cummins.com> <https://webparts.cummins.com> <https://qsservices.cummins.com>  
<https://adminportal.cummins.com> 0sp4N000000PGNq <https://cumminscommerce.force.com>  
<https://mylogin.cummins.com/web/idp/login>