



NUMBER: 11-002-14

GROUP: Exhaust System

DATE: April 24, 2014

This bulletin is supplied as technical information only and is not an authorization for repair. No part of this publication may be reproduced, stored in a retrieval system, or transmitted, in any form or by any means, electronic, mechanical, photocopying, or otherwise, without written permission of Chrysler Group LLC.

THIS BULLETIN SUPERSEDES SERVICE BULLETIN 11-002-13, DATED DECEMBER 13, 2013, WHICH SHOULD BE REMOVED FROM YOUR FILES. ALL REVISIONS ARE HIGHLIGHTED WITH **ASTERISKS**** AND INCLUDES THE WORD ****BUILT**** IN THE CLEAN POINT STATEMENT.**

SUBJECT:

Exhaust Rattle At Idle Speeds

OVERVIEW:

This bulletin involves replacing the catalytic converter with a new assembly and hanger system.

MODELS:

2010 -2014 (JK) Wrangler (International Excluding China And India Markets.)

NOTE: **This bulletin applies to JK Wrangler models with 2.8L Turbo Diesel Engine (sales code ENS) built on or before January 06, 2014 (MDH 0106XX).******

SYMPTOM/CONDITION:

The customer may experience a buzz, squeak or rattle (BSR) at idle speeds.

DIAGNOSIS:

If the customer describe the symptom/condition, perform the Repair Procedure.

PARTS REQUIRED:

Qty.	Part No.	Description
1	68231948AA	Converter, Catalytic
1	68231947AA	Bracket, Catalytic Converter

SPECIAL TOOLS/EQUIPMENT REQUIRED:

NPN	Torque Wrench
-----	---------------

REPAIR PROCEDURE:

1. Raise the vehicle on a suitable hoist. Refer to the detailed service procedures available in DealerCONNECT> TechCONNECT under: Service Info> 04- Vehicle Quick Reference> Hoisting> Standard Procedure> Hoisting.
2. Inspect catalytic converter and DPF brackets for cracks.
3. Is there a cracked bracket?
 - a. Yes >>> Proceed to [Step #4](#).
 - b. No >>> Further diagnostics required.
4. Inspect the DPF bracket for cracks.
5. Is just the DPF bracket cracked?
 - a. Yes >>> Proceed to [Step #6](#).
 - b. No >>> Proceed to [Step #7](#).

NOTE: The catalytic converter can cause the DPF bracket to crack, if the DPF bracket is cracked it must be replaced with the new catalytic converter.

6. ** Replace the DPF and the new catalytic converter.**
7. Remove the wheel house splash shield on the passenger side for access to catalytic converter assembly.
8. Remove the O2 sensor and temperature sensors from the catalytic converter assembly ([Fig. 1](#)).

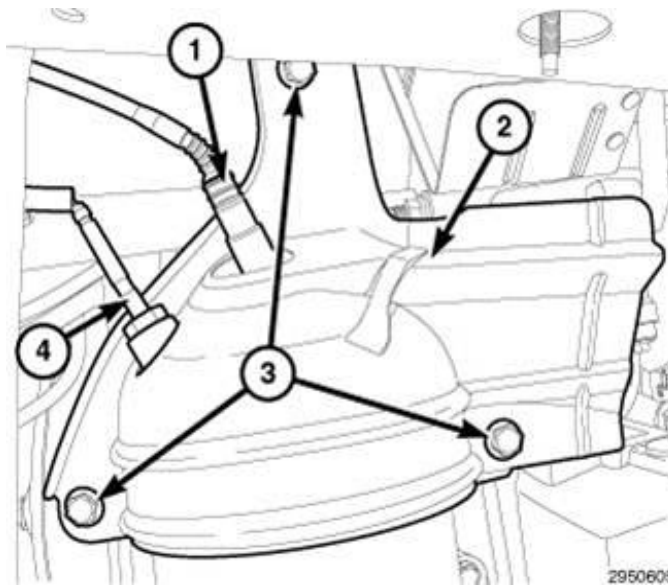


Fig. 1 Exhaust

- 1 - O2 Sensor
- 2 - Heat Shield
- 3 - Shield Mounting Bolts
- 2 - Temperature Sensor

-
9. Remove the (3) bolts holding the catalytic converter assembly to the DPF assembly ([Fig. 2](#)).

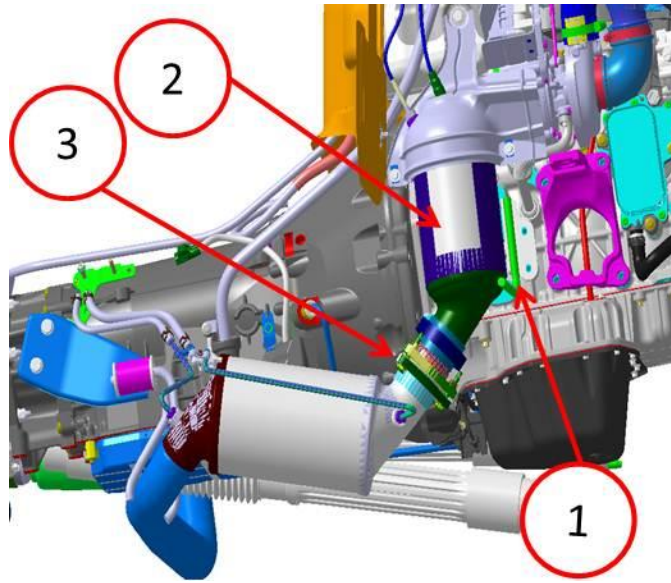


Fig. 2 Catalytic Converter

- 1 - Catalytic Converter Hanger Bracket
- 2 - Catalytic Converter
- 3 - Bolts

10. Remove the 4 nuts holding the catalytic converter assembly to the turbo (Fig. 3).

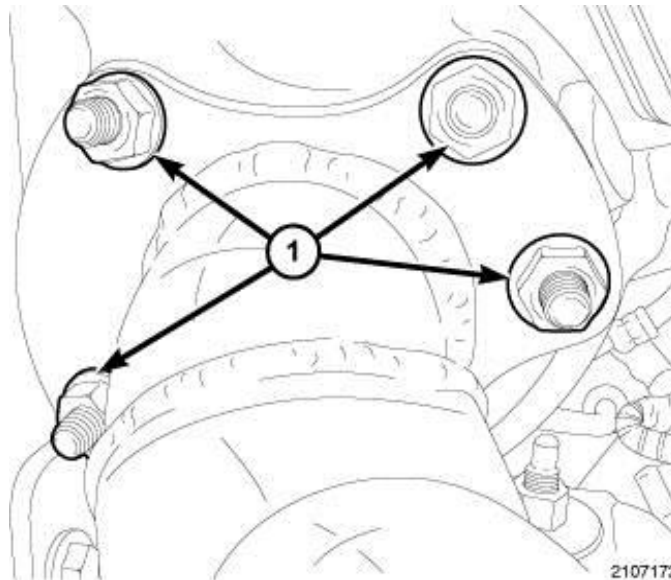


Fig. 3

- 1 - Catalytic Converter Nuts

11. Remove the 2 bolts holding the bracket to the engine(Fig. 2).

12. Install new bracket hanger to the new catalytic converter assembly.
13. Loosely assemble the catalytic converter assembly to the DPF assembly.
14. Loosely assemble the catalytic converter assembly to the turbo and secure using the 4 existing fasteners.
15. Install Temperature and O2 sensors.
16. Loosely assemble hanger bracket with existing 2 bolts to engine and secure.
17. Secure the catalytic converter to the DPF assembly.
18. Ensure all bolts are secure.
19. Re-install the wheel house splash shield.
20. Repair complete.

POLICY:

Reimbursable within the provisions of the warranty.

TIME ALLOWANCE:

Labor Operation No:	Description	Skill Category	Amount
11-50-01-9B	Converter, Catalytic - Replace (2 - Skilled)	8 - Engine Performance	1.0 Hrs.

FAILURE CODE:

ZZ	Service Action
----	----------------