



TECHNICAL SERVICE BULLETIN

Water Leak From The A-Pillars, Overhead Console/Upfitter Switches And/Or Sun Visors

22-2403

21 October
2022

This bulletin supersedes 22-2074.

Model:

Ford 2021-2022 Bronco

Summary

This TSB supersedes TSB 22-2074 to update the Service Procedure.

Issue: Some 2021-2022 Bronco vehicles may exhibit water leaks located at the A-pillars, overhead console/upfitter switches and/or sun visors. To correct the condition, follow the Service Procedure to diagnose and repair the water leak.

Action: Follow the Service Procedure to correct the condition on vehicles that meet all of the following criteria:

- 2021-2022 Bronco
- Water leak coming from at least one of the following locations:
 - A-pillars
 - Sun visors
 - Overhead console/upfitter switches

Parts

Parts To Replace Only If Necessary

Service Part Number	Quantity	Description
M2DZ-7803110-C	1	Header Seal
Obtain Locally	As Needed	3M™ Strip-Calk

Warranty Status: Eligible under provisions of New Vehicle Limited Warranty (NVLW)/Service Part Warranty (SPW)/Special Service Part (SSP)/Extended Service Plan (ESP) coverage. Limits/policies/prior approvals are not altered by a TSB. NVLW/SPW/SSP/ESP coverage limits are determined by the identified causal part and verified using the OASIS part coverage tool.

Labor Times

Description	Operation No.	Time
2021-2022 Bronco: Diagnose And Repair The Water Leak Following The Service Procedure (Do Not Use With Any Other Labor Operations)	MT222403	Actual Time

Repair/Claim Coding

Causal Part:	7803110
Condition Code:	68

Service Procedure

NOTE: When submitting the warranty claim for this TSB, include the repair results such as the location of the water leak and/or the procedural Step that led to repairing the vehicle.

1. Does the vehicle exhibit a water leak from any of the locations shown in Figure 1 and Figure 2?

Figure 1 - Right side A-pillar shown, left side similar

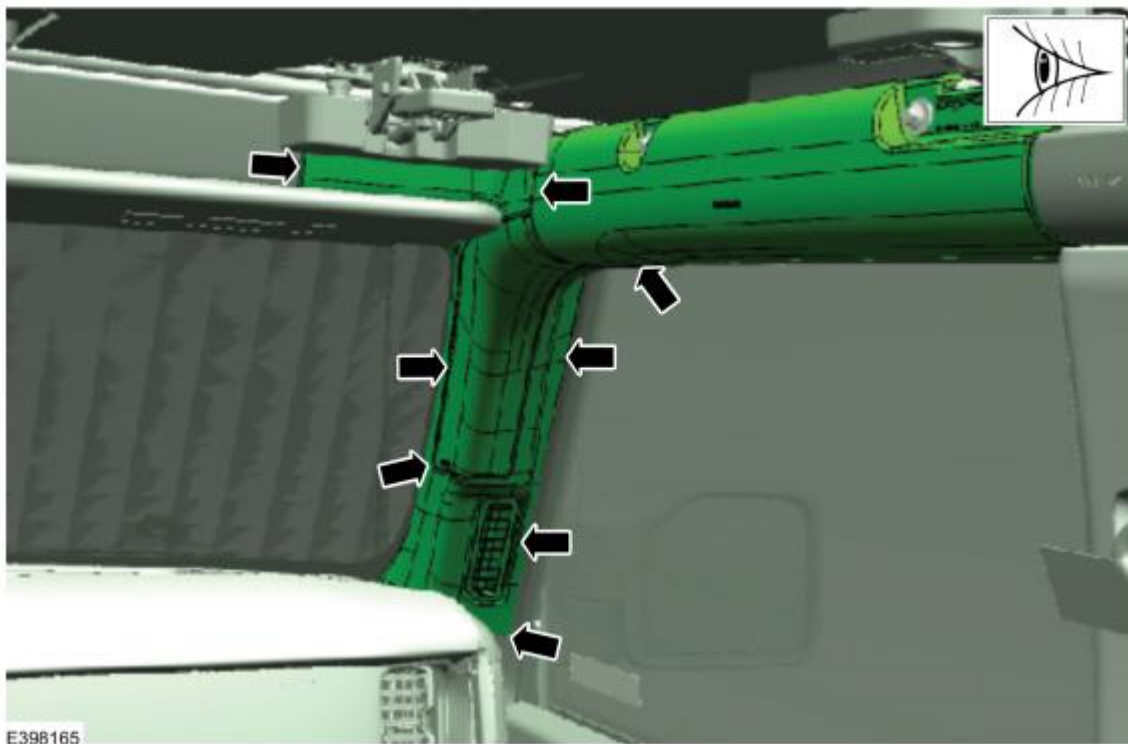
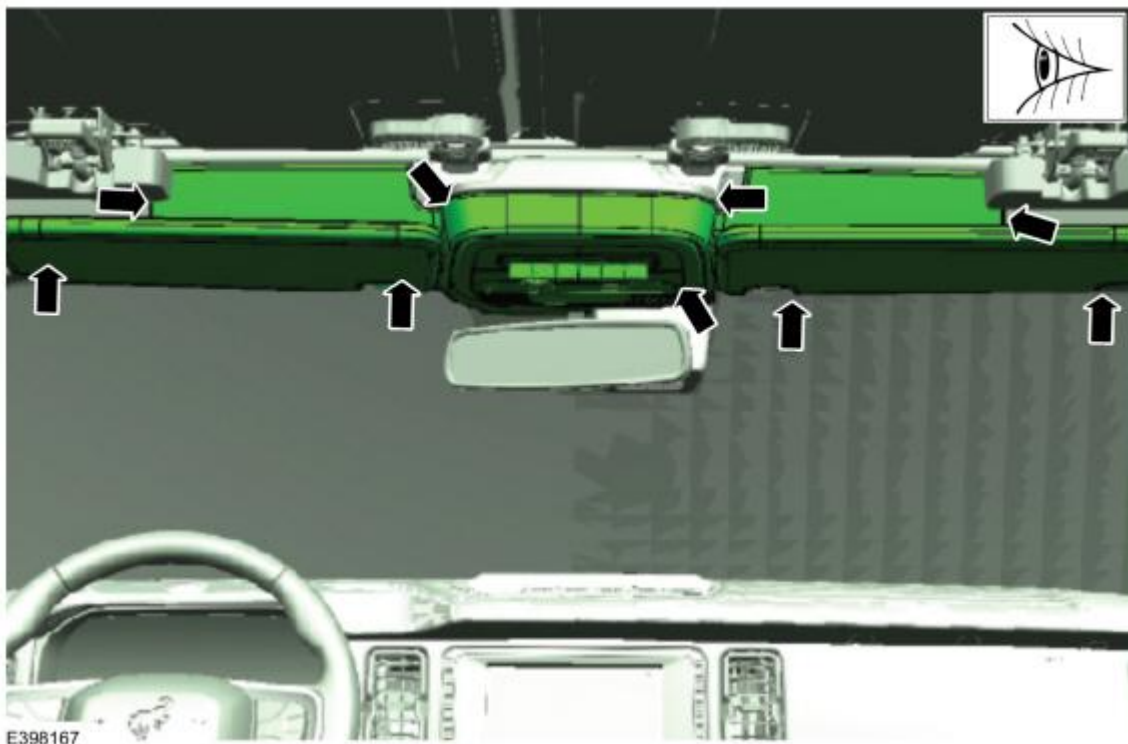


Figure 2



(1). Yes - proceed to Step 2.

(2). No - this article does not apply. Refer to the Workshop Manual (WSM), Section 501-18.

2. Remove/retract the front roof sections.

(1). Vehicles equipped with a hard top roof, remove only the front 2 sections covering the driver and passenger seats. Refer to the Digital Owner's Manual, Removable Vehicle Components > Removable Hard Top > Removing and Installing the Hard Top.

(2). Vehicles equipped with a soft top roof, place it in the partially open position. Refer to the Digital Owner's Manual, Removable Vehicle Components > Removable Soft Top > Opening and Closing the Soft Top.

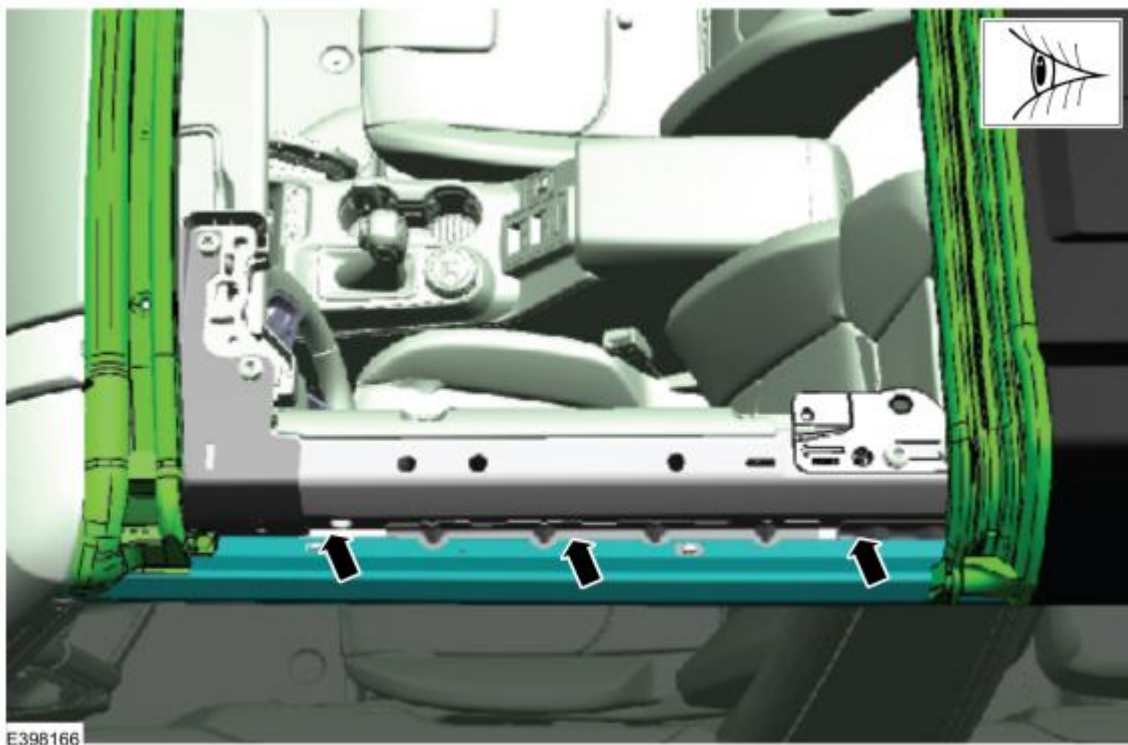
3. Is the vehicle equipped with a hard top roof?

(1). Yes - proceed to Step 4.

(2). No - proceed to Step 5.

4. Inspect the side roof channels shown in Figure 3. Are there any signs of water in this area leading back to the hard top center panel and hard top rear cap?

Figure 3 - Left side shown, right side similar



(1). Yes - inspect the hard top center panel seal (3-door vehicle) and/or hard top rear cap seal (5-door vehicles) for proper sealing. Repair as necessary. Repair is complete.

(2). No - proceed to Step 5.

5. Inspect the header seal locator pin which can be found to the left of the middle header seal bolt. Is the locator pin missing, broken and/or damaged? (Figure 4)

Figure 4



- (1). Yes - proceed to Step 11
- (2). No - proceed to Step 6.

6. Inspect the five fasteners that secure the header seal to the body. Make sure these are tightened to 9 Nm (80 lb-in). The nuts that receive these bolts are not welded to the body will free spin with the bolt if they are loose. If a bolt spins freely during this check, temporarily remove the windshield header trim panel to gain access. Refer to Workshop Manual (WSM), Section 501-05. (Figure 5)

Figure 5



7. Inspect the 2 small bolts on both corners of the header seal. Make sure these are tightened to 3 Nm (26 lb-in). (Figure 6)

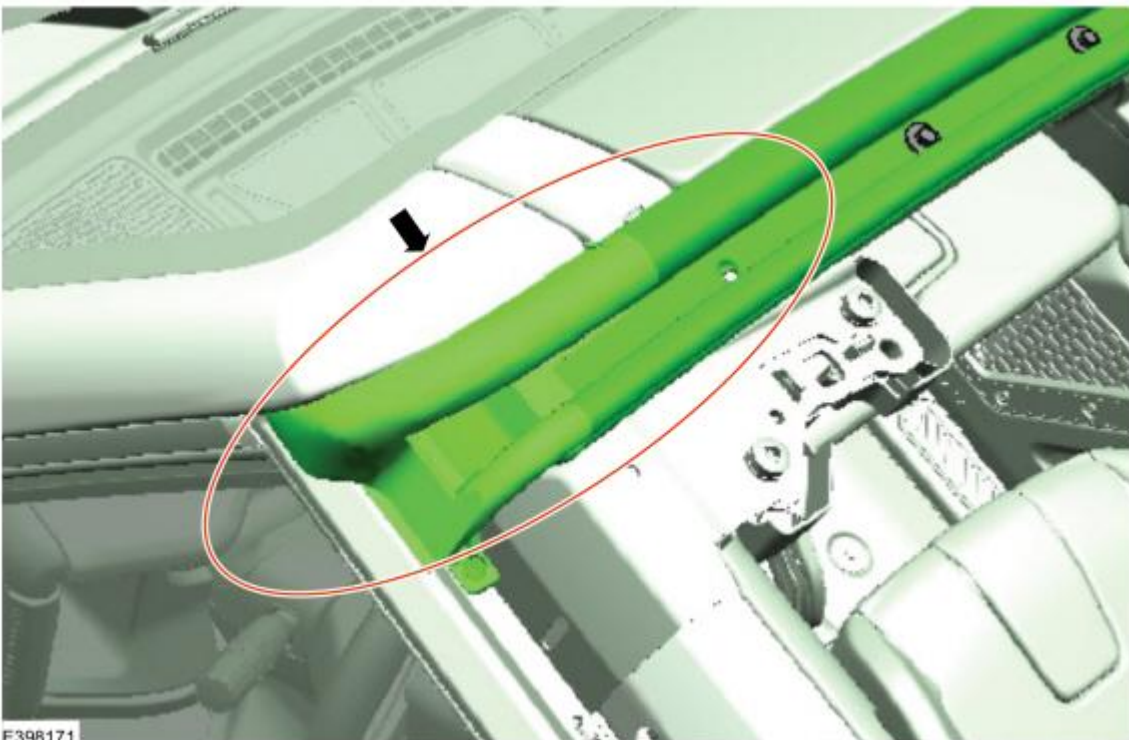
Figure 6 - Left side shown, right side similar



E398170

8. By hand, firmly massage the header seal in the areas shown in Figure 7. The header seal has butyl located throughout this area. Firmly pressing down while massaging the header seal will make sure the butyl is properly adhered to the body creating a water-tight seal which is required to prevent leaks.

Figure 7 - Left side shown, right side similar



E398171

9. Reseal the header seal edge to the body. (Figure 8)

- (1). Gain access to the front header seal edge by gently pulling back on the corner.
- (2). Inspect for the presence of a clear plastic circular sticker attached to the body. The sticker may only be partially visible. If this sticker is present, use needle nose pliers to completely remove it.
- (3). Insert a marble-sized ball of 3M™ Strip-Calk into the gap between the rubber header seal and the body. Return the header seal corner flap to its natural position then Firmly massage the seal in this area (pushing on the

seal, onto the body) to be sure it is formed correctly, creating a water-tight seal. When complete, there should not be any visible strip-calk outside of the seal.

Figure 8 - Left side shown, right side similar

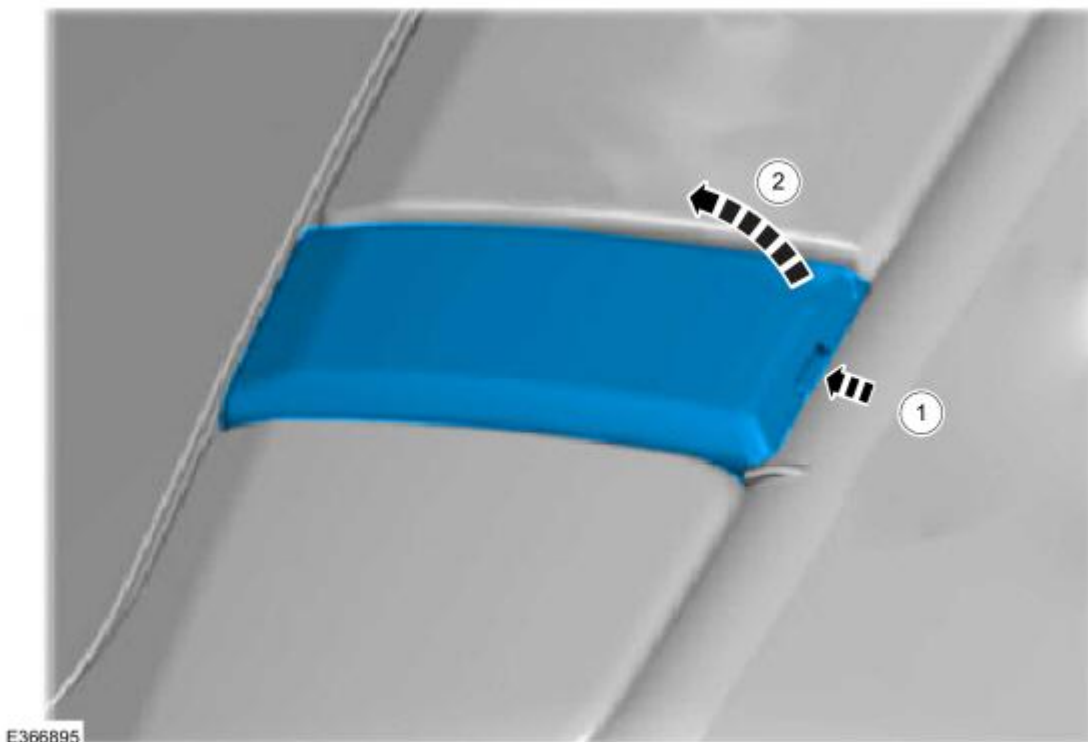


10. Has the water leak been repaired?

- (1). Yes - reinstall the front roof panels, refer to Step 1. Repair is complete.
- (2). No - proceed to Step 11.

11. Remove both windshield trim covers by pressing the button on the rear of the cover and rotating it forward. If a roof rack is installed on the vehicle, it needs to be removed using the assistance of a second person. Refer to the Digital Owner's Manual for removal instructions. (Figure 9)

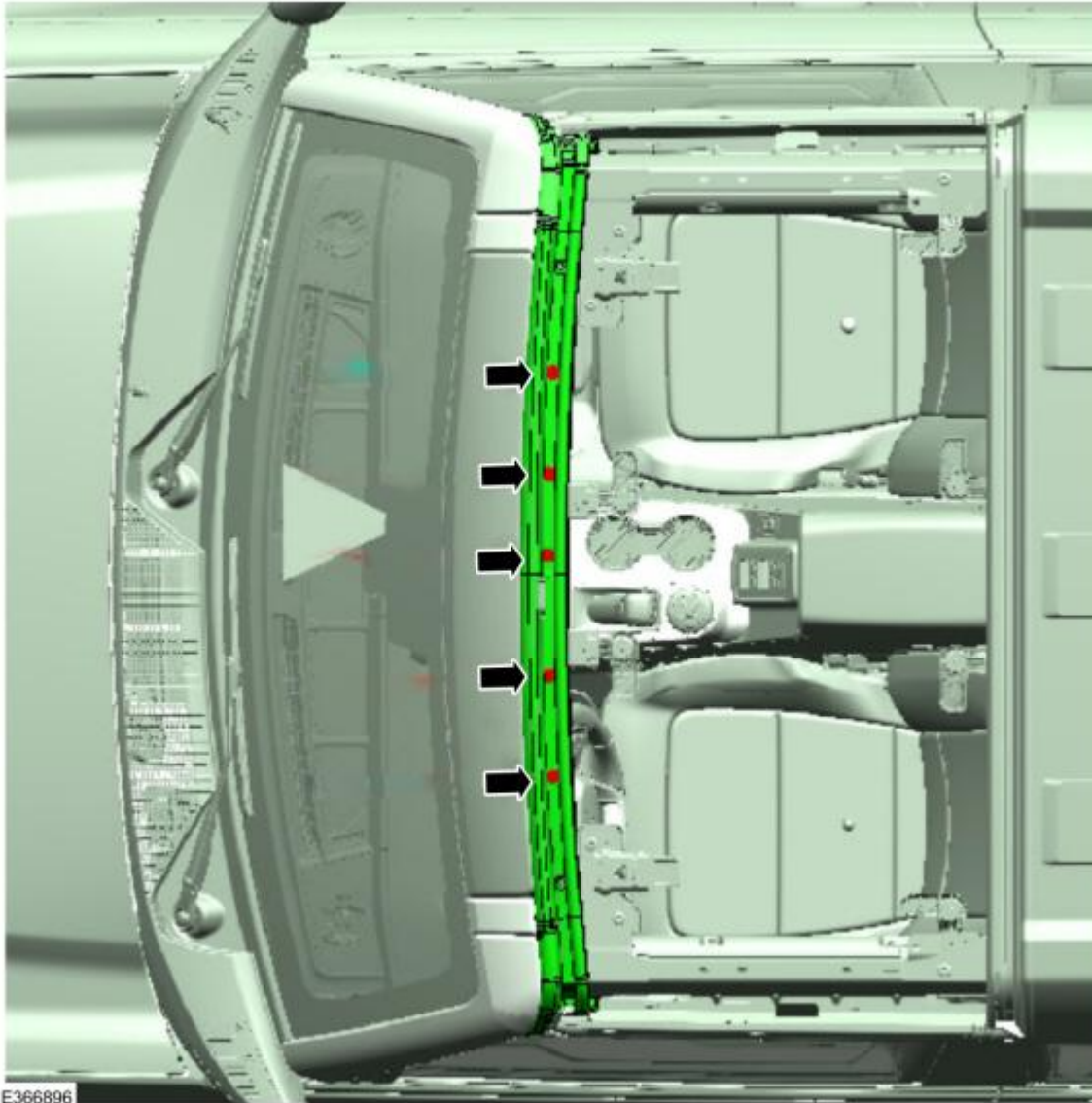
Figure 9



12. Remove the windshield header trim panel. Refer to Workshop Manual (WSM), Section 501-05, Interior Trim and Ornamentation > Removal and Installation > Windshield Header Trim Panel.

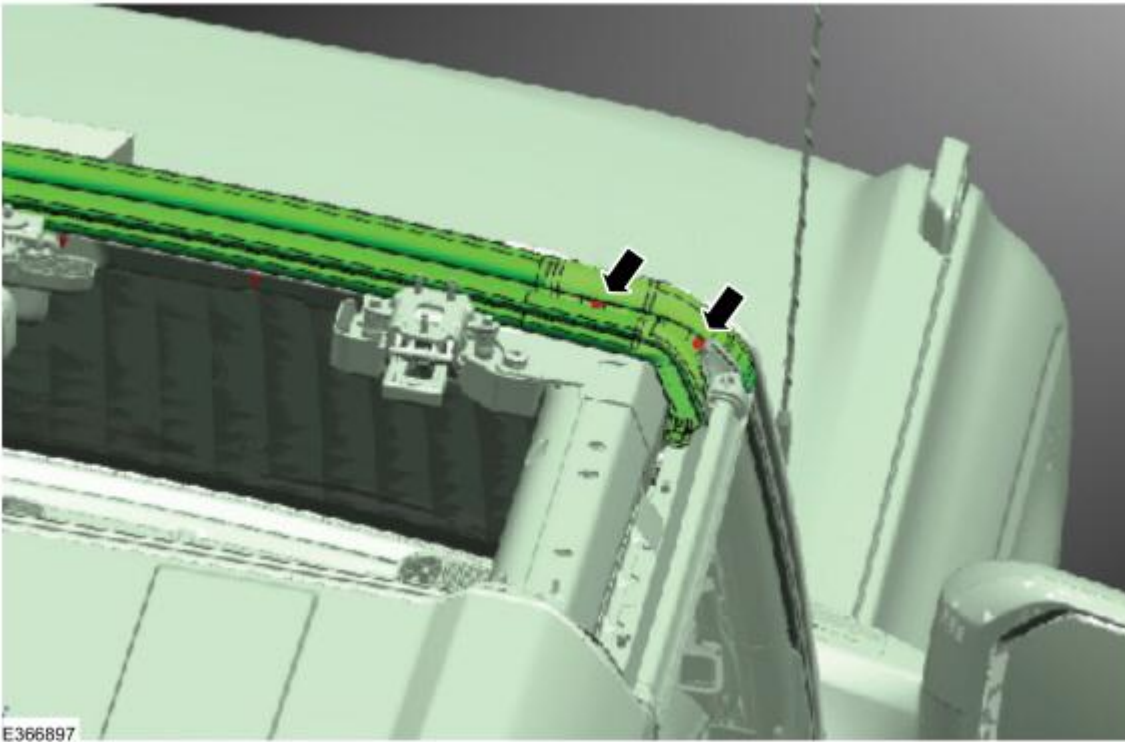
13. Remove the 5 center bolts and nuts securing the header seal to the body. (Figure 10)

Figure 10



14. Remove the 4 bolts (2 on each side) securing the header seal to the body. (Figure 11)

Figure 11 - Right side shown, left side similar



15. Remove the 2 pushpin fasteners (1 on each end). (Figure 12)

Figure 12

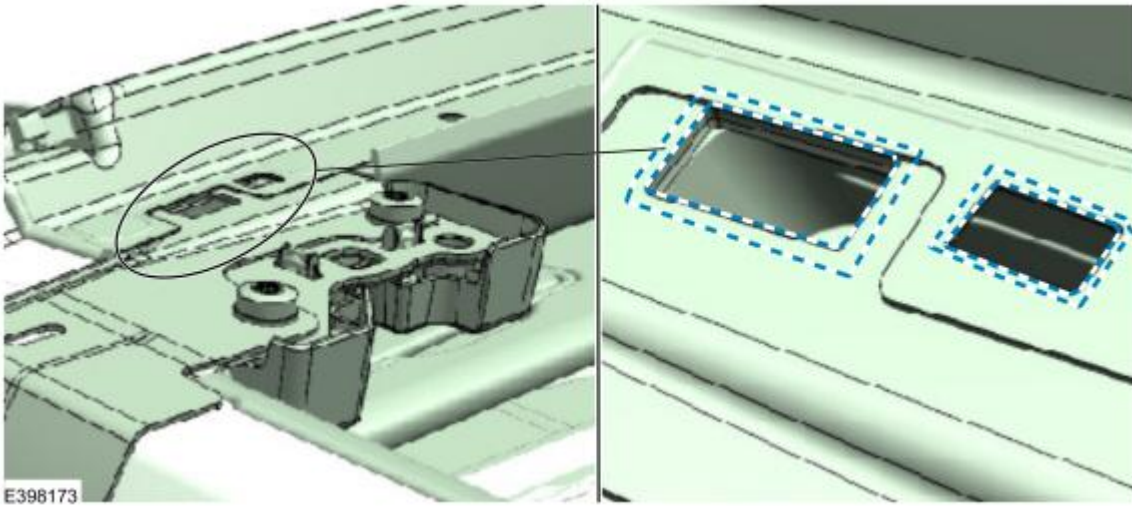


16. Remove the header seal from the vehicle.

17. Using a plastic scraper, remove all residual header seal foam that is still stuck to the vehicle. This foam will prevent proper sealing if left in place. The residual sticky adhesive can remain on the vehicle as it will assist with sealing.

18. Apply 3M™ Strip-Calk along the inside edges of the sheet metal drain openings. There are four drains, two on each A-pillar. These openings have multiple layers of sheet metal that must be completely sealed. (Figure 13)

Figure 13



E398173

19. Apply 3M™ Strip-Calk to the exposed body seams starting at the roof rack trim cover area and ending at the corner seal where the body seam ends. Do not leave a gap between the edge of the caulk and the corner seal. (Figures 14-17)

Figure 14 - Left side shown before application



E366899

Figure 15 - Left side shown, after application



Figure 16 - Right side shown, before application

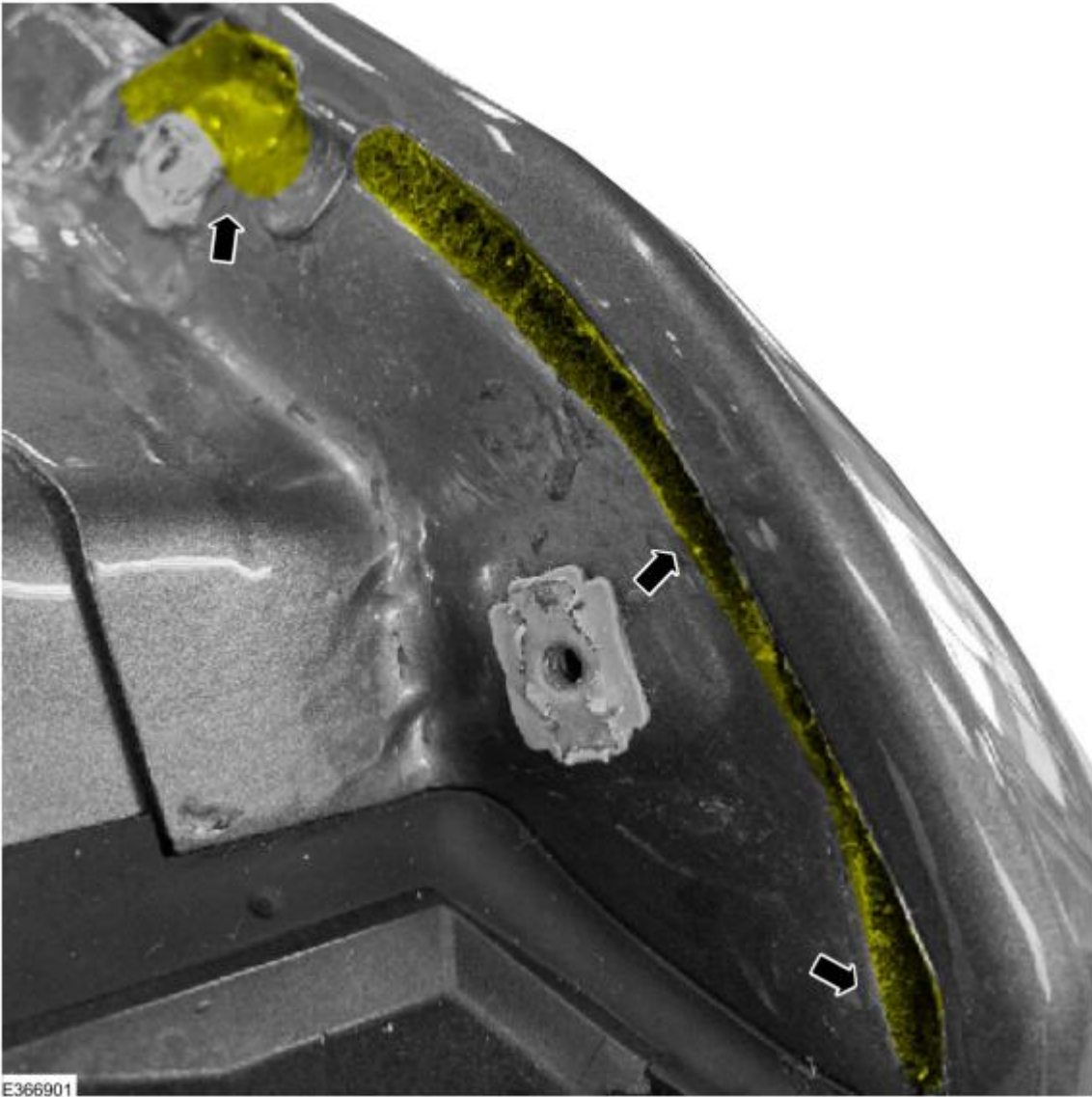


Figure 17 - Right side shown, after application



20. Peel the plastic backings from the new header seal to expose the bottom sticky surface applied by the manufacturer.
21. Carefully install the header seal on the vehicle ensuring all attachment holes line up to the vehicle attachment points.
22. Install all header seal attachments.
 - (1). Tighten the 5 center bolts and nuts securing the header seal to the body to 9 Nm (80 lb-in). (Figure 10)
 - (2). Tighten the 4 bolts (2 on each side) securing the header seal to the body to 3 Nm (26 lb-in). (Figure 11)
 - (3). Install the 2 pushpin fasteners, 1 located at each end. (Figure 12)
23. Inspect the header seal to body surface by lightly pulling up on the edges of header seal. If any gaps are found in the sealing surface, fill the gaps using 3M™ Strip-Calk.
24. By hand, firmly massage the header seal in the areas shown in Figure 7 and any other areas where strip-calk was added. The header seal has adhesive located throughout these areas. Firmly pressing down while massaging the header seal will make sure the butyl is properly adhered to the body creating a water-tight seal.
25. Install the windshield header trim panel. Refer to WSM, Section 501-05, Interior Trim and Ornamentation > Removal and Installation > Windshield Header Trim Panel.
26. Pull/remove the cord that runs along the inside of the new header seal groove.
27. Install both windshield trim covers. If a roof rack was installed on the vehicle, it needs to be reinstalled with the assistance of a second person. Refer to the Digital Owner's Manual for installation instructions. (Figure 9)
28. Return the roof to a fully closed position.

(1). Vehicles equipped with a hard top roof, remove only the front 2 sections covering the driver and passenger seats. Refer to the Digital Owner's Manual, Removable Vehicle Components > Removable Hard Top > Removing and Installing the Hard Top.

(2). Vehicles equipped with a soft top roof, place it in the partially open position. Refer to the Digital Owner's Manual, Removable Vehicle Components > Removable Soft Top > Opening and Closing the Soft Top.

29. If equipped, inspect the carpet for dampness and/or odor and service as necessary.

© 2022 Ford Motor Company

All rights reserved.

NOTE: The information in Technical Service Bulletins is intended for use by trained, professional technicians with the knowledge, tools, and equipment to do the job properly and safely. It informs these technicians of conditions that may occur on some vehicles, or provides information that could assist in proper vehicle service. The procedures should not be performed by "do-it-yourselfers". Do not assume that a condition described affects your car or truck. Contact a Ford or Lincoln dealership to determine whether the Bulletin applies to your vehicle. Warranty Policy and Extended Service Plan documentation determine Warranty and/or Extended Service Plan coverage unless stated otherwise in the TSB article. The information in this Technical Service Bulletin (TSB) was current at the time of printing. Ford Motor Company reserves the right to supersede this information with updates. The most recent information is available through Ford Motor Company's on-line technical resources.