

# Revised Intake Manifold Mounting Hardware

M-251-008

(September 2008)

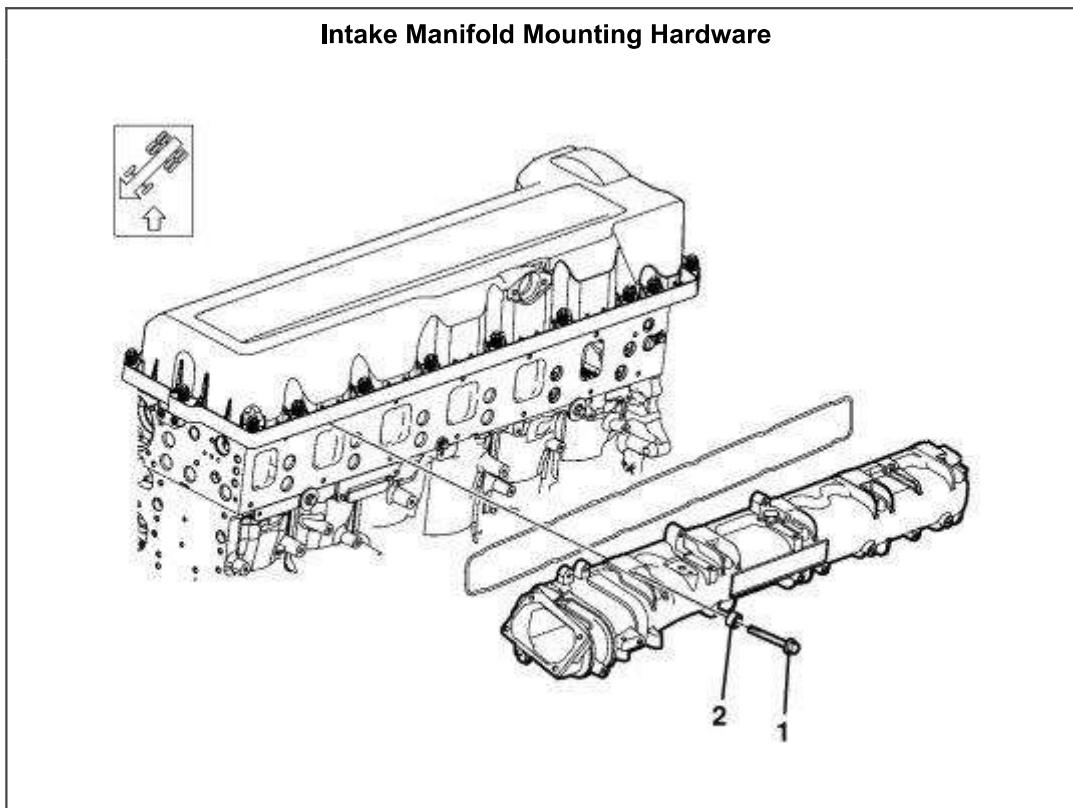
## Valid for

All CXU,CHU,GU,MRU,LEU built with MP7/MP8

## Case description

Replacement intake manifold mounting hardware for MACK MP7 and MP8 engines has been developed and is available through the MACK Parts System. The new hardware consists of 12 flange screws (part number 20976035) and spacers (part number 948871). Should loose or missing intake manifold mounting screws be encountered, or if the intake manifold has been removed, the new flange screws and spacers must be used to replace all the existing manifold mounting hardware.

## Parts



Key	Qty.	Part number	Description
1	12	20976035	Flange screw, intake manifold mounting
2	12	948871	Spacer, intake manifold mounting

## Issued by

Technical Service

Mack Trucks, Inc. engages in a continuous program of testing and evaluating to provide the best possible product. Mack Trucks, Inc., however, is not committed to, or liable for updating existing chassis.