

Subject:

ENGINE COOLANT REPLACEMENT PRECAUTION

Service Alert No.: SA-065/22

Last Issued : 10/10/2022

BULLETIN NOTES

APPLICABLE MODEL(S)/VINS

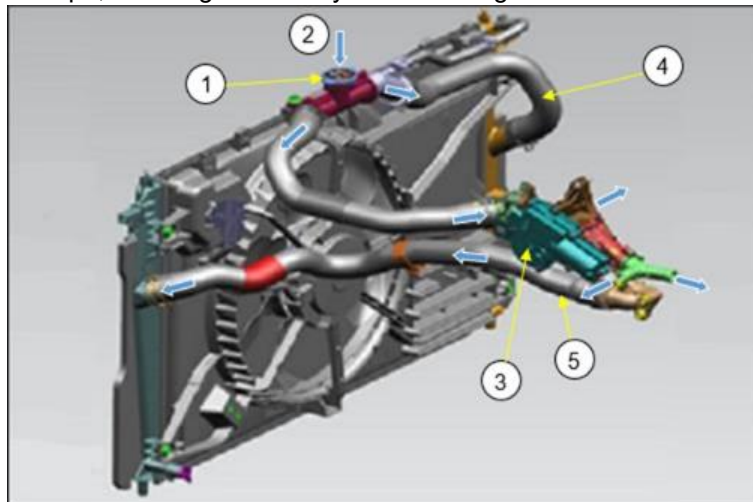
- 2016-2021 CX-3 (with coolant control valve)
- 2017-2023 CX-5 (with coolant control valve)
- 2018-2021 Mazda6 (with coolant control valve)
- 2019-2023 Mazda3 (with coolant control valve)
- 2020-2023 CX-30 (with coolant control valve)

DESCRIPTION

Some vehicles equipped with a coolant control valve may exhibit difficulties when refilling the coolant because the control valve is closed and air in the engine cannot escape during ignition ON. Therefore, turn the **ignition OFF** when refilling engine coolant using the radiator filler neck.

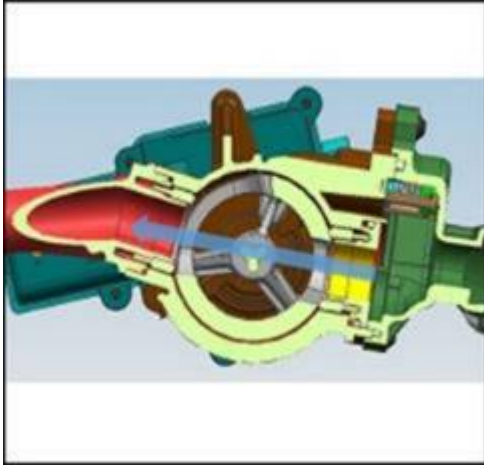
[Reference Information]

1. Remove the cooling system cap (1), then refill the engine coolant (2) using the radiator filler neck until it is close to the top of the radiator filler neck.
2. The coolant flows into the the engine through the control valve (3) from the upper radiator hose (4).
3. The coolant also flows into the lower radiator hose (5). However, as the control valve (3) is closed during the ignition ON, air in the engine cannot escape, resulting in difficulty when refilling the coolant.

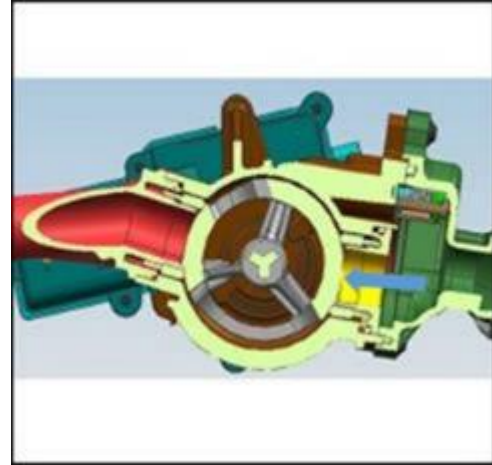


CONSUMER NOTICE: The information and instructions in this bulletin are intended for use by skilled technicians. Mazda technicians utilize the proper tools/ equipment and take training to correctly and safely maintain Mazda vehicles. These instructions should not be performed by "do-it-yourselfers." Customers should not assume this bulletin applies to their vehicle or that their vehicle will develop the described concern. To determine if the information applies, customers should contact their nearest authorized Mazda dealership. Mazda North American Operations reserves the right to alter the specifications and contents of this bulletin without obligation or advance notice. All rights reserved. No part of this bulletin may be reproduced in any form or by any means, electronic or mechanical---including photocopying and recording and the use of any kind of information storage and retrieval system ---without permission in writing.

Valve position when the valve is open.
(Ignition OFF)



Valve position when the valve is closed.
(Ignition ON)



At the same time when the ignition is OFF, the control valve is opened and all of the water passages are connected.

At the ignition ON, the water passages are closed.

Water Flow Control

- The PCM adjusts the engine coolant control valve and supplies engine coolant to the appropriate engine coolant passage according to the changes in the engine coolant temperature.
- By blocking each water passage before the engine warms up and suppressing heat radiation, the temperature of the internal wall of the cylinder is quickly increased to improve fuel economy.

CONSUMER NOTICE: The information and instructions in this bulletin are intended for use by skilled technicians. Mazda technicians utilize the proper tools/ equipment and take training to correctly and safely maintain Mazda vehicles. These instructions should not be performed by "do-it-yourselfers." Customers should not assume this bulletin applies to their vehicle or that their vehicle will develop the described concern. To determine if the information applies, customers should contact their nearest authorized Mazda dealership. Mazda North American Operations reserves the right to alter the specifications and contents of this bulletin without obligation or advance notice. All rights reserved. No part of this bulletin may be reproduced in any form or by any means, electronic or mechanical---including photocopying and recording and the use of any kind of information storage and retrieval system ---without permission in writing.