

Service Information

Special Tools and Equipment

Number: ATE-14-10

Subject: Audi Minimum Required Tool Package
Shipment AT-360

Date: May 23, 2014

Audi of America is pleased to inform you of the release and automatic delivery of four Required Special Tools which are used on Audi R8 and other Audi vehicles.

Starting June 23, 2014, every Audi dealer will be shipped one AT-360 Special Tool Package, Freight F.O.B. Snap-On OEM and invoiced directly by the Audi Special Tools Program (Snap-On Business Solutions - SBS).

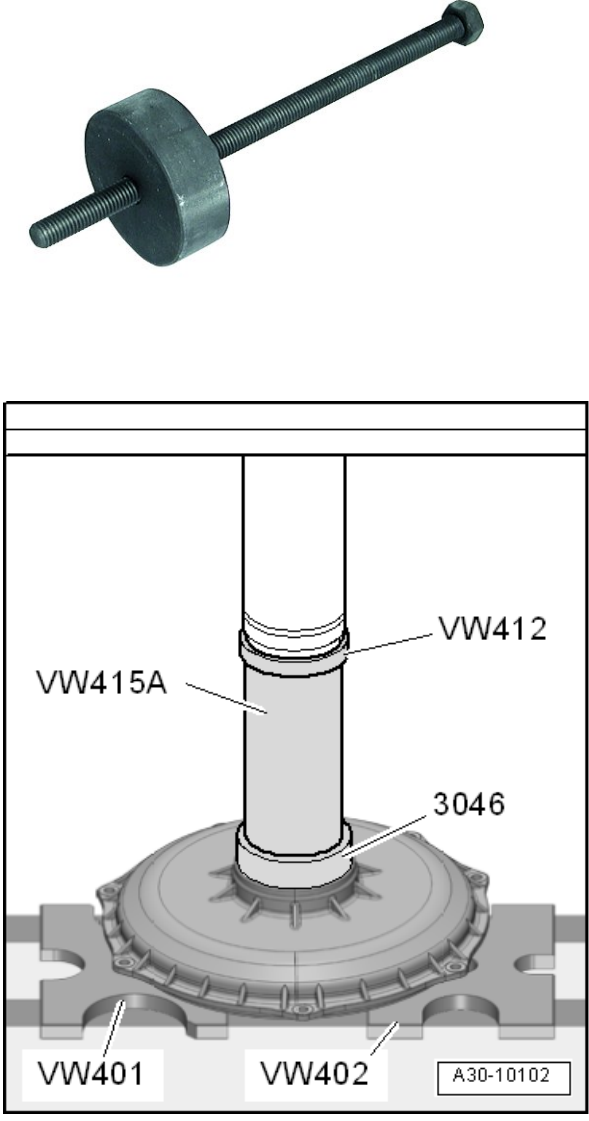
For dealers that wish to order additional AT-360 Special Tool Packages, please notify the Audi Tools and Equipment program by contacting us at 800-892-9650. Additional orders will be filled with remaining stock in the order received.

Shipping and billing inquiries should be directed to the Audi Tools and Equipment program @ (800-892-9650).

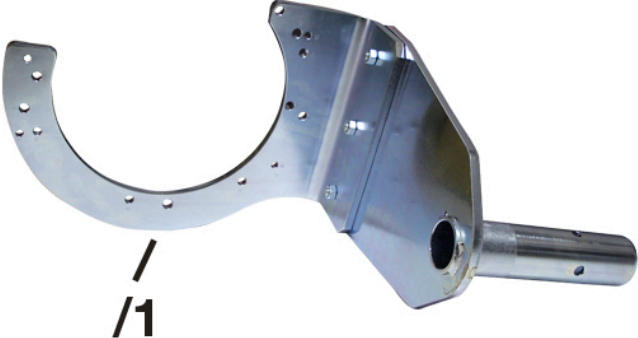
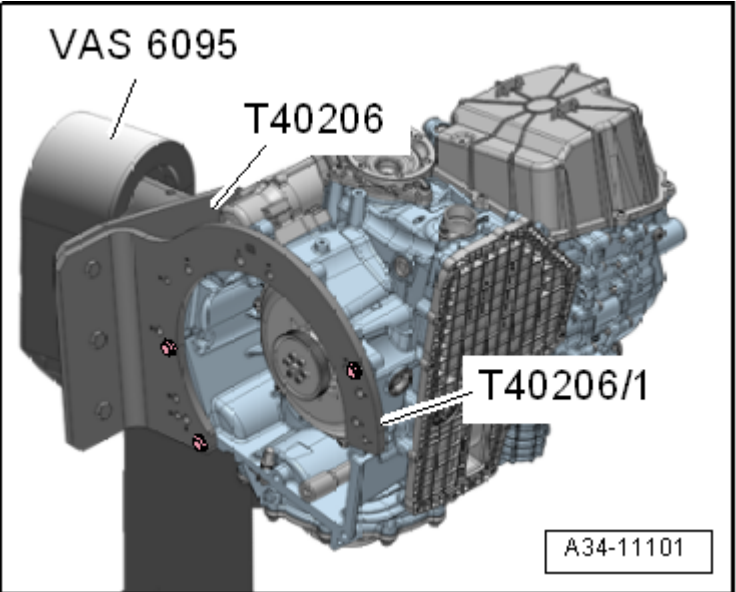
<u>Franchise Type</u>	<u>Package Qty</u>	<u>Dealer Price USA</u>	<u>Dealer Price Canada</u>
Audi R8 Dealers	4 Tools	\$277.60	\$363.00*
Audi <u>non</u> R8 Dealers	1 Tool	\$177.80	\$195.60*

Note * Canadian prices are subject to change. USD to CAD conversion will be calculated at time of invoicing at the current rate. Canadian pricing also accounts for importation costs from US to Canada.


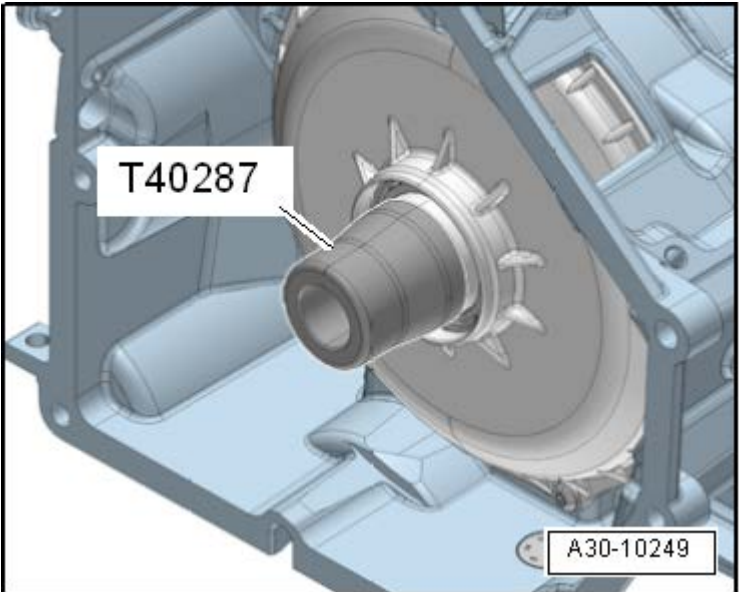
Service Information

Tool Description	Repair Group	Illustration
<p>3046 Puller</p> <p>Used when replacing input shaft ball bearings.</p> <p>All Audi R8 dealers</p>		

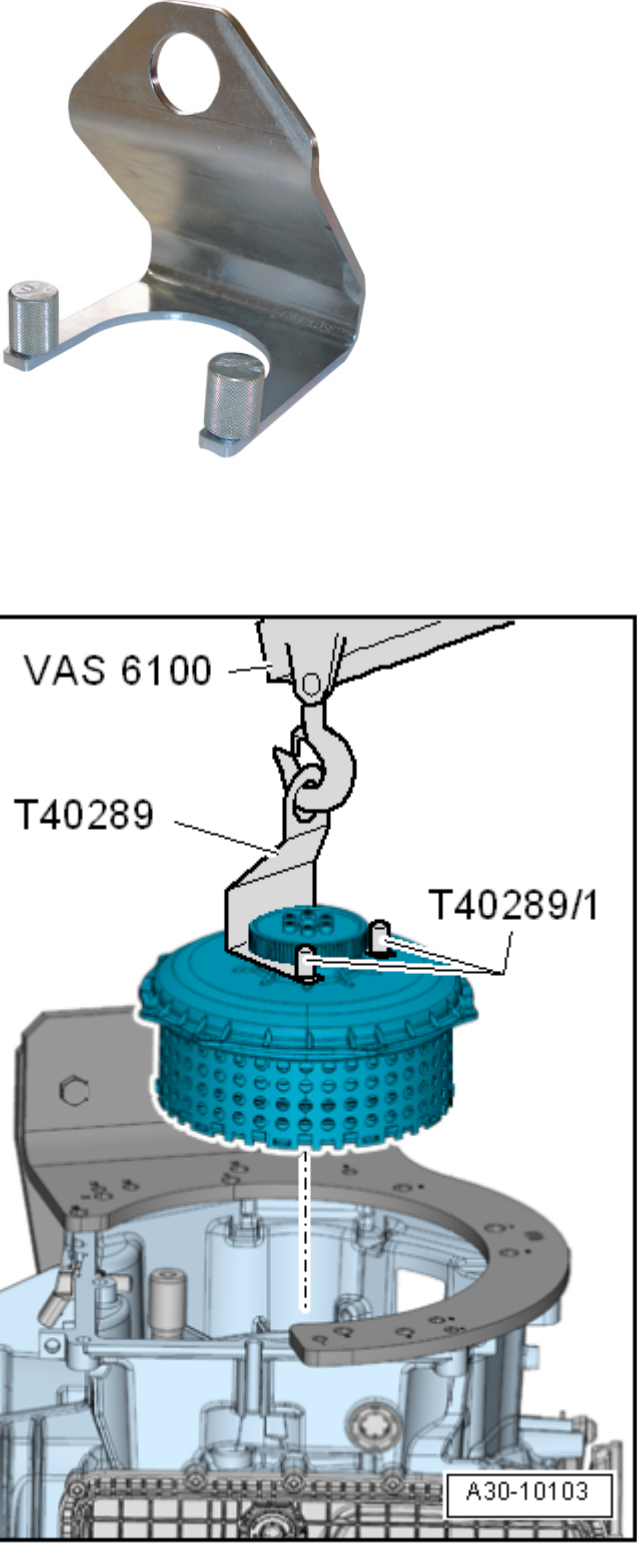
Service Information

<p>T40206 Gearbox Support</p> <p>Used on 6-speed manual gearbox and automated manual gearbox (R tronic) 086 6-cyl.</p> <p>Used on 7-speed dual clutch gearbox 0BZ (S-tronic).</p> <p>Type/Model: Audi A4 2008>, Audi A5 2008>, Audi R8 2008>, Audi A5 Cabriolet 2009>.</p> <p>Reference: Audi A4 2008> Servicing 6-speed manual gearbox 0B2, 4-wheel-drive.</p> <p>Reference: Audi R8 2008 > 7-speed dual clutch gearbox 0BZ</p> <p>All Audi R8 dealers All Audi <u>Non-R8</u> dealers</p>	<p>34</p>	 
---	-----------	---

Service Information

<p>T40287 Seal Installer - Clutch Module</p> <p>Application: Assembling the oil seal ring on the clutch module</p> <p>Type / model: Audi R8 2008 > Assembly group: 7-speed dual clutch gearbox 0BZ Reference: For example: Audi R8 2008 > 7-speed dual clutch gearbox 0BZ</p> <p>All Audi R8 dealers</p>	<p>30</p>	 
---	-----------	---

Service Information

<p>T40289 Dual Clutch Attachment Bracket</p> <p>Application: Dismantling and assembling the dual clutch module</p> <p>Type / model: Audi R8 2008 ></p> <p>Assembly group: 7-speed dual clutch gearbox 0BZ</p> <p>Reference: For example: Audi R8 2008 > 7-speed dual clutch gearbox 0BZ</p> <p>All Audi R8 dealers</p>	<p>30</p>	
---	-----------	---