



SIB 51 15 22 GROANING SOUND IN THE D-PILLAR AREA

2022-10-25

MODEL

E-Series	Model Description	Production Date
G26	4 Series Gran Coupe	July 1, 2021 – August 31, 2022

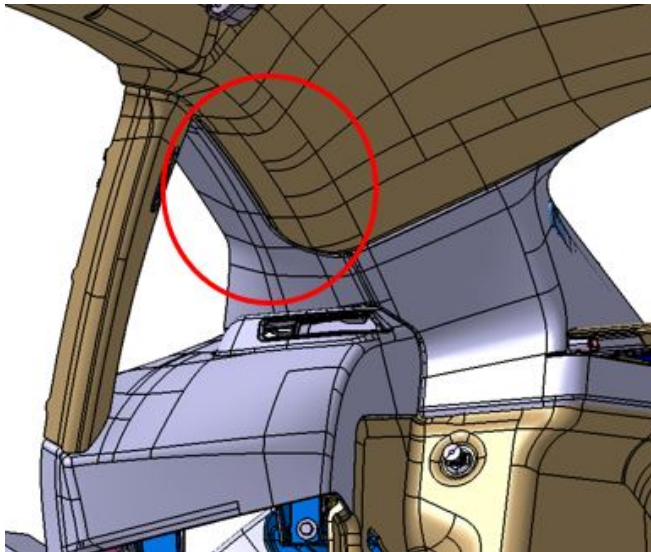
SITUATION

While driving on a rough road, a groaning sound is heard coming from the D-pillar trim panel and the headliner.

The sound can occur on either the left or right-side D-pillar trim panels.

Note: Please see attached video V51 02 22

CAUSE



Unfavorable friction between the D-pillar trim panel and the headliner.

CORRECTION

Apply film tape to the D-pillar as shown in the photo below. The film tape surface acts as a friction reducer.

PROCEDURE

Verify that a groaning sound from the D-pillar is heard. If yes, then.

1. Remove D-pillar trim panel following repair instructions in AIR/ISTA (51 43 259).



2. Apply film tape to the D-pillar as shown in the photo.

- Vehicle at room temperature for best tape adhesion
- **Long side of the D-pillar: 215 mm length of tape**
- **Short side of the D-pillar: 65 mm length of tape**

3. Install the D-pillar back on the vehicle and verify the repair.

PARTS INFORMATION

Obtain and confirm the part numbers for your specific vehicle by entering the chassis number in either ETK or AIR which considers specific equipment and/or options.

Part Number	Description	Quantity
83 19 9 407 798	Film Tape (B=15 mm, L=33 m)	Sublet as needed

CLAIM INFORMATION

Covered under the terms of the BMW New Vehicle Limited Warranty for Passenger Cars and Light Trucks.

Defect Code:	5143073900	D-pillar trim panel (inner) Unpleasant noises
---------------------	-------------------	--

Repairing One Side

Labor Operation	Description	Labor Allowance
51 43 259	Removing and installing trim for roof pillar at rear left or right (Main work)	5 FRU
Or:		
51 43 759	Removing and installing trim for roof pillar at rear left or right (Plus work)	4 FRU
And, as necessary:		
51 00 001*	Localizing body complaint(s) (Work time)	WT
Or		
00 58 500*	Diagnosis Worktime Flat Rate (See below)	2 FRU
And:		
51 99 000	Work time to apply film tape to the D-pillar (One side)	2 FRU

If you are using a Main labor code for another repair, use the Plus code labor operation 51 43 759 instead of 51 43 259.

Or:

Repairing Both Sides

Labor Operation	Description	Labor Allowance
51 43 260	Removing and installing side panels for rear roof pillars (Main work)	9 FRU
Or:		
51 43 760	Removing and installing side panels for rear roof pillars (Plus work)	7 FRU
And, as necessary:		
51 00 001*	Localizing body complaint(s) (Work time)	WT
Or		
00 58 500*	Diagnosis Worktime Flat Rate (See below)	2 FRU
And:		
51 99 000	Work time to apply film tape to the D-pillars (Both sides)	3 FRU

If you are using a Main labor code for another repair, use the Plus code labor operation 51 43 760 instead of 51 43 260.

*Based on which one applies to your center, please refer to **SI B01 01 20** or **B01 07 20** for the applicable procedure for documenting, claiming, and explaining, on the RO and in the claim comments, your diagnosis

work time (WT), job/repair work time (WT), and the vehicle repairs your center performed, unless otherwise required by State law.

And:

Sublet – Bulk Materials (RO and Claim Comments Required)

Sublet Code 4	See the sublet reimbursement calculations below	Reimbursement for the repair-related bulk material (Do not use the BMW part number for claim submission)
--------------------------------	---	--

Sublet reimbursement calculation for claiming the applicable repair-related bulk material (BMW part numbers) is at the dealer net price amount for the quantity used plus your center's handling.

Enter this material cost in sublet and itemize the amount on the repair order and in claim comment section.

FEEDBACK REGARDING THIS BULLETIN

Technical Feedback	To submit feedback for the technical topics of this bulletin: Submit your feedback in the rating box at the top of this bulletin
Warranty Feedback	To submit feedback for the CLAIMS section of this bulletin: Submit an IDS ticket to the Warranty Department, or use the chat available in the Warranty Documentation Portal
Parts Feedback	To submit feedback for the PARTS section of this bulletin: Submit an IDS ticket to the Parts Department

Supporting Materials

Videos

[51 01 22](#)