

Subject: Diesel Exhaust Fluid (DEF) Gauge Bracket Relocation

Models Affected: 2022 FCCC XCS chassis built from September 1, 2021 through March 5, 2022

General Information

Our records indicate that you are the owner of a 2022 model year FCCC XCS X-Line chassis. We are therefore providing you with the following instructions to move the DEF gauge mounting bracket from the right side of the DEF tank to the left side to prevent interference between the bracket and the body of the vehicle. We hope you find this information helpful.

Parts

Parts Required	
Part Name	Part Number
DEF Gauge Sticker	24-01759-000
DEF Gauge Bracket	06-96387-000

Table 1, Parts Required

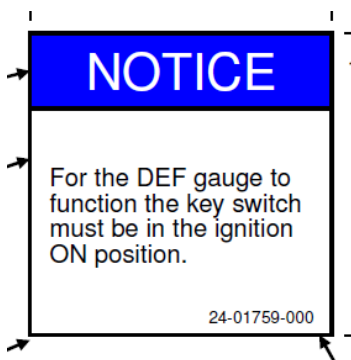


Fig. 1, DEF Gauge Sticker

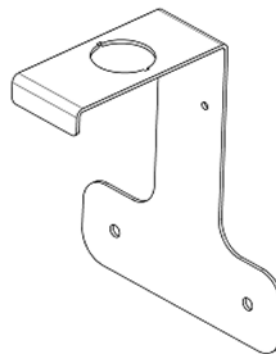


Fig. 2, DEF Gauge Bracket

DEF Gauge Bracket Relocation

1. Park the vehicle on a level surface, shut down the engine, and apply the parking brake. Chock the tires.
2. Access the DEF tank inside the compartment of the vehicle as shown in **Fig. 3**.



Fig. 3, DEF Tank Location

3. Remove the DEF gauge from the DEF gauge mounting bracket by removing the fastener on the underside of the bracket (the side of the bracket facing the DEF tank).

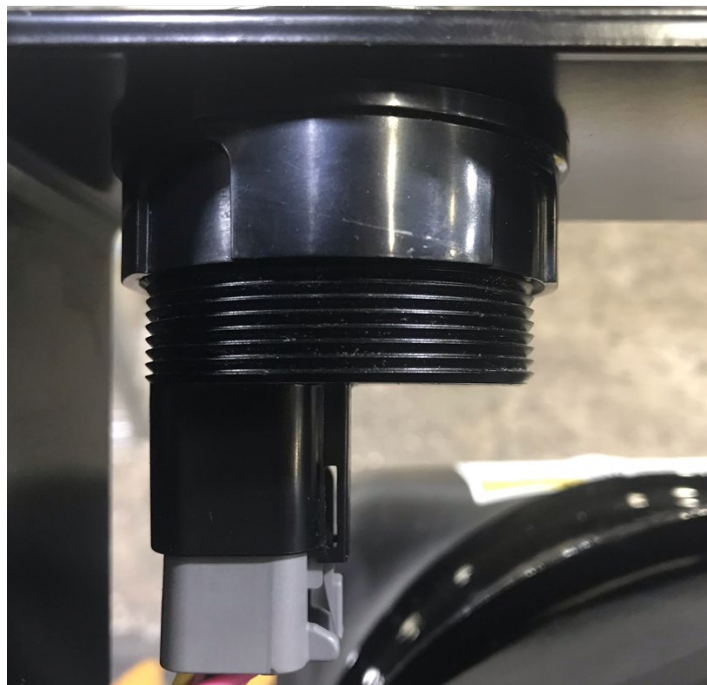


Fig. 4, Underside View of DEF Gauge

4. Remove the tie strap securing the DEF gauge harness to the mounting bracket and disconnect the harness from the DEF gauge.
5. Using a 9/16 inch wrench, loosen and remove the two bolts holding the mounting bracket in place.

Note: Keep the two bolts to install the new bracket.

6. Install the bracket, part number 06-96387-000, on the left hand side of the DEF tank cage as shown in **Fig. 5** (from drawing D04-35450-000). Using the bolts removed earlier, attach the new bracket. Tighten the bolts 26 lbf•ft.

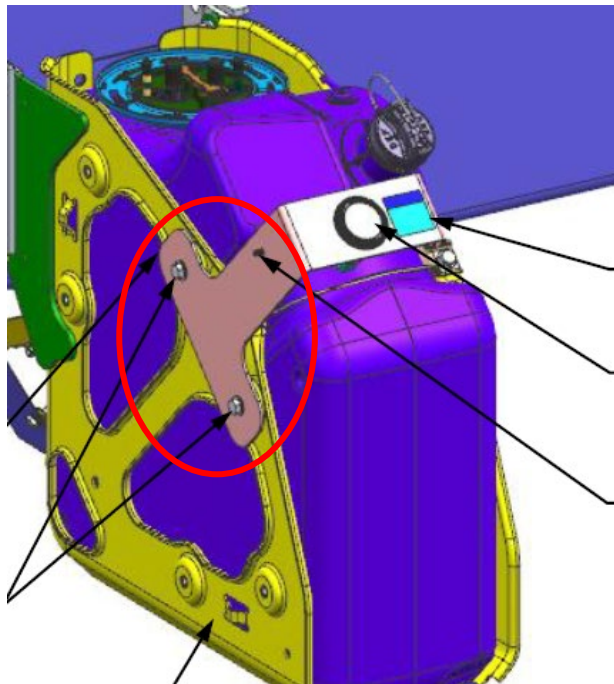


Fig. 5, Left-Side Bracket Installation

7. Install the sticker (part number 24-01759-000) onto the bracket to the right side of the gauge as shown in **Fig. 5**.
8. Install the DEF gauge in the new bracket and hand tighten the gauge fastener.



Fig. 6, Final Installation

9. Connect the harness to DEF gauge. Secure the harness as needed using tie straps. The final installation should look like **Fig. 6**.
10. Turn the ignition switch to the on position and verify that the DEF gauge operates correctly.