


RCA-56-22-008-1: Replace Exterior Door Handle Levers

Rivian is initiating a customer satisfaction campaign for some model year 2022 R1T vehicles that may have been built with door latch mechanisms that are prone to water intrusion. In rare instances the handle lever inside the door may bind, preventing a door from latching or unlatching. If the door does not latch, the customer would notice it swinging freely and a “door ajar” indicator light will illuminate on the driver display. If the door does not unlatch, the customer could exit the vehicle through another door. Rivian will replace all 4 exterior door handle levers with upgraded components. Rivian is launching this campaign for customer satisfaction and to ensure the quality of Rivian vehicles.

Document Type	Customer Satisfaction Campaign Bulletin
Date	December 19, 2022
Affected Region(s)	USA
Affected Model(s)	R1T
Model Year(s)	2022
Approximate Build Dates	August 2021 - January 2022
 Refer to the FSA Dashboard to determine if this document applies to a specific vehicle.	
Vehicle System	56 - Closures
Minimum Service Location	Mobile

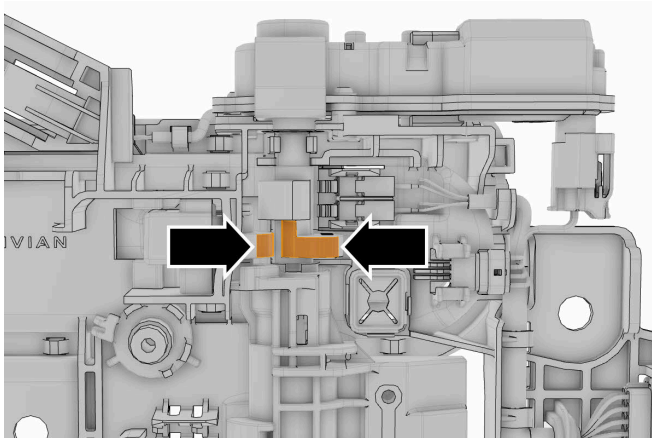
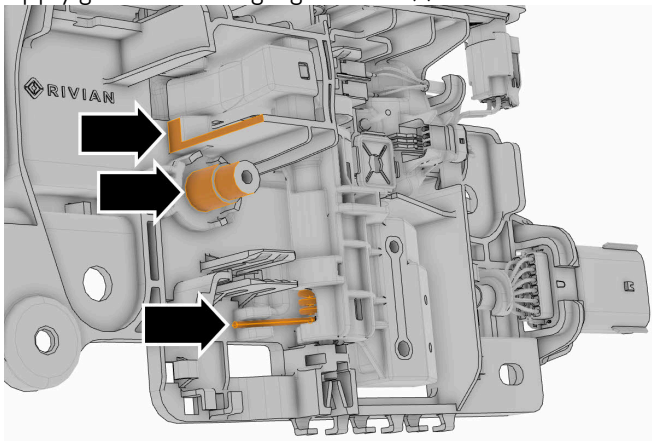
Required Parts

Part Number	Quantity	Engineering Name	Service Name/Notes
PT00624717-A	2	SVC - R1 SIDE DOOR OUTSIDE HANDLE LEVER ARM LH	Lever, Exterior Door Handle, LH
PT00624718-A	2	SVC - R1 SIDE DOOR OUTSIDE HANDLE LEVER ARM RH	Lever, Exterior Door Handle, RH
PT00592033-A	As needed	Krytox GPL 205 Grease	

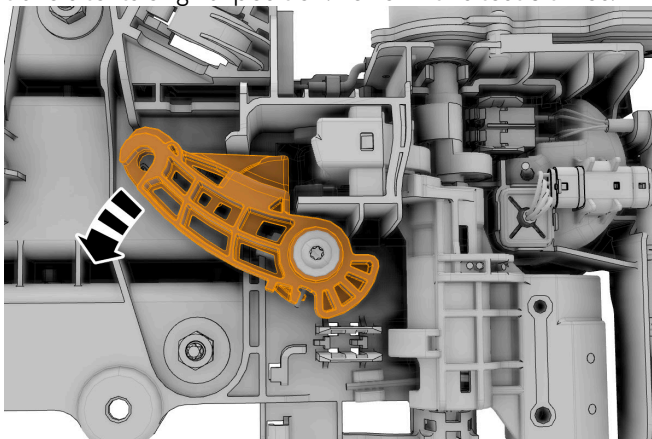
! **Attention:** The parts listed in this table are only for unique steps that are called out in this bulletin. Some sections of this bulletin might refer to Service Manual procedures which require additional parts. Always review the bulletin and all potentially related Service Manual procedures before ordering parts and beginning work.

Procedure

1. In 4 locations: Remove: Lever, Exterior Door Handle.
 - Front: refer to service manual procedure 565070010.
 - Rear: refer to service manual procedure 565071010.
2. Apply grease to the highlighted area(s).



3. Replace the component(s).
 - Front: refer to service manual procedure 565070010.
 - Rear: refer to service manual procedure 565071010.
4. Before reinstalling the assembly to the vehicle, pull the lever as shown. Make sure that the lever fully travels to its original position. Perform this test 3 times.



Labor Codes

Labor Code	Description
RCA562200800	RCA-56-22-008 not applicable
RCA562200801	Replace 4 exterior door handle levers
<i>Contact ServiceDocumentFeedback@rivian.com regarding labor codes and document content.</i>	