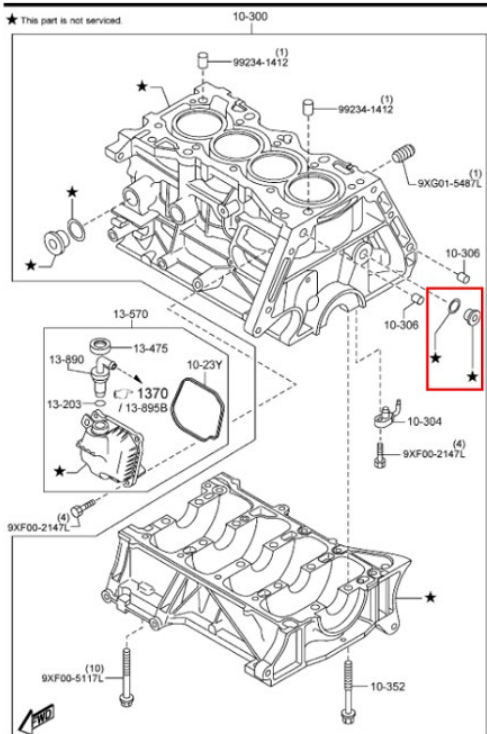


REFERENCE NO: RF-23-01

DATE: 01/23/2023

SUBJECT: Oil Galley Plug

When servicing SKYACTIV engine vehicles requiring to replace the Oil Galley Plug and Crush Washer, order the required part numbers below. These parts are not listed in GEPC and were previously listed as “non-serviceable” in the cylinder block diagram.



Part Number	Description	Qty	Notes
P301-10-327A	PLUG, BLIND	1	Torque spec. 56.9 to 68.8 N/m
9956-22-000	GASKET	1	