



# Service Bulletin

Bulletin No.: 20-NA-130

Date: January, 2023

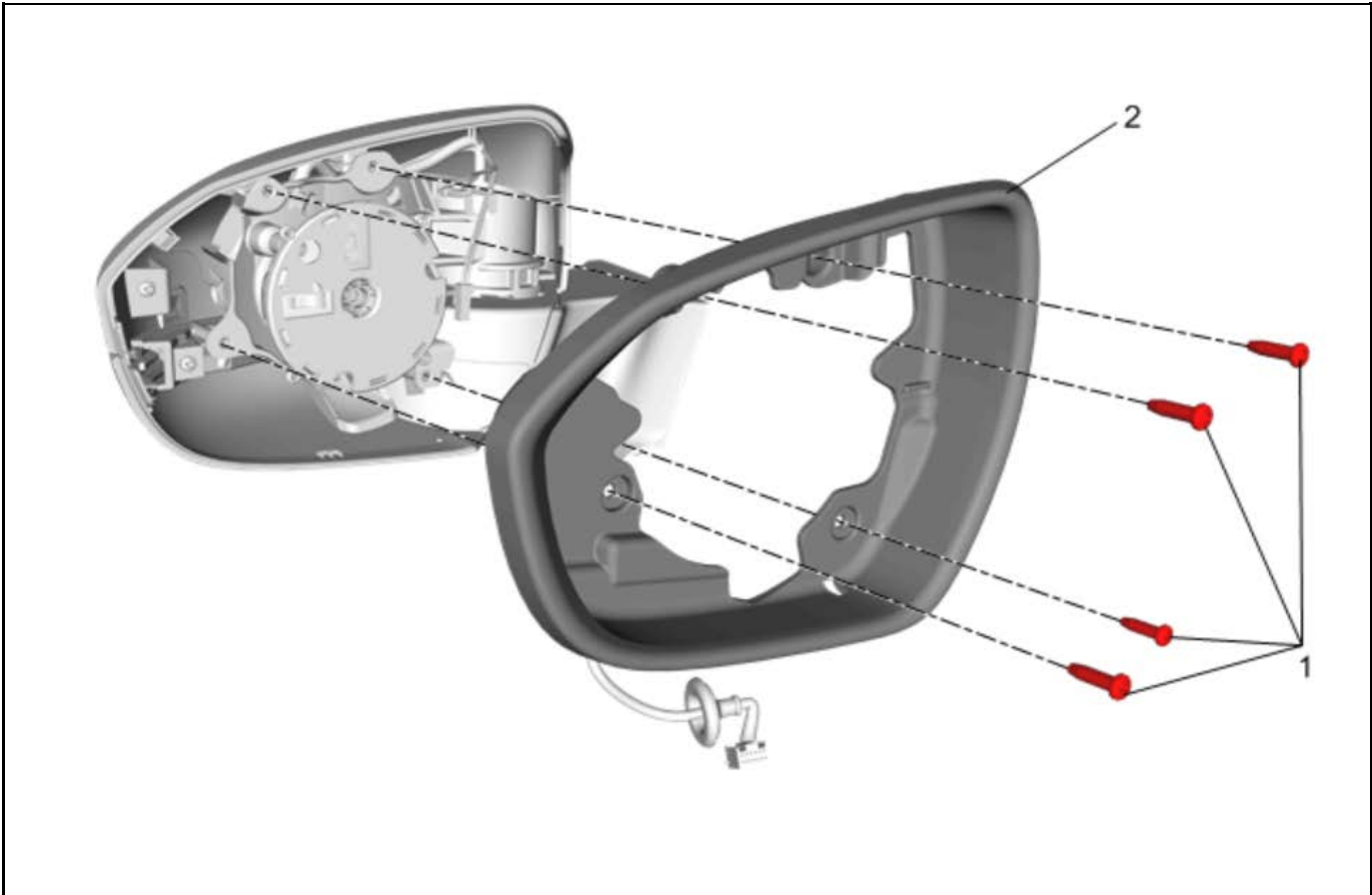
## INFORMATION

**Subject:** Information on Message Illuminated in DIC, DTC B094C (39) Set

Brand:	Model:	Model Year:		VIN:		Engine:	Transmission:
		from	to	from	to		
Chevrolet	Bolt EV	2019	2020	—	—	All	All

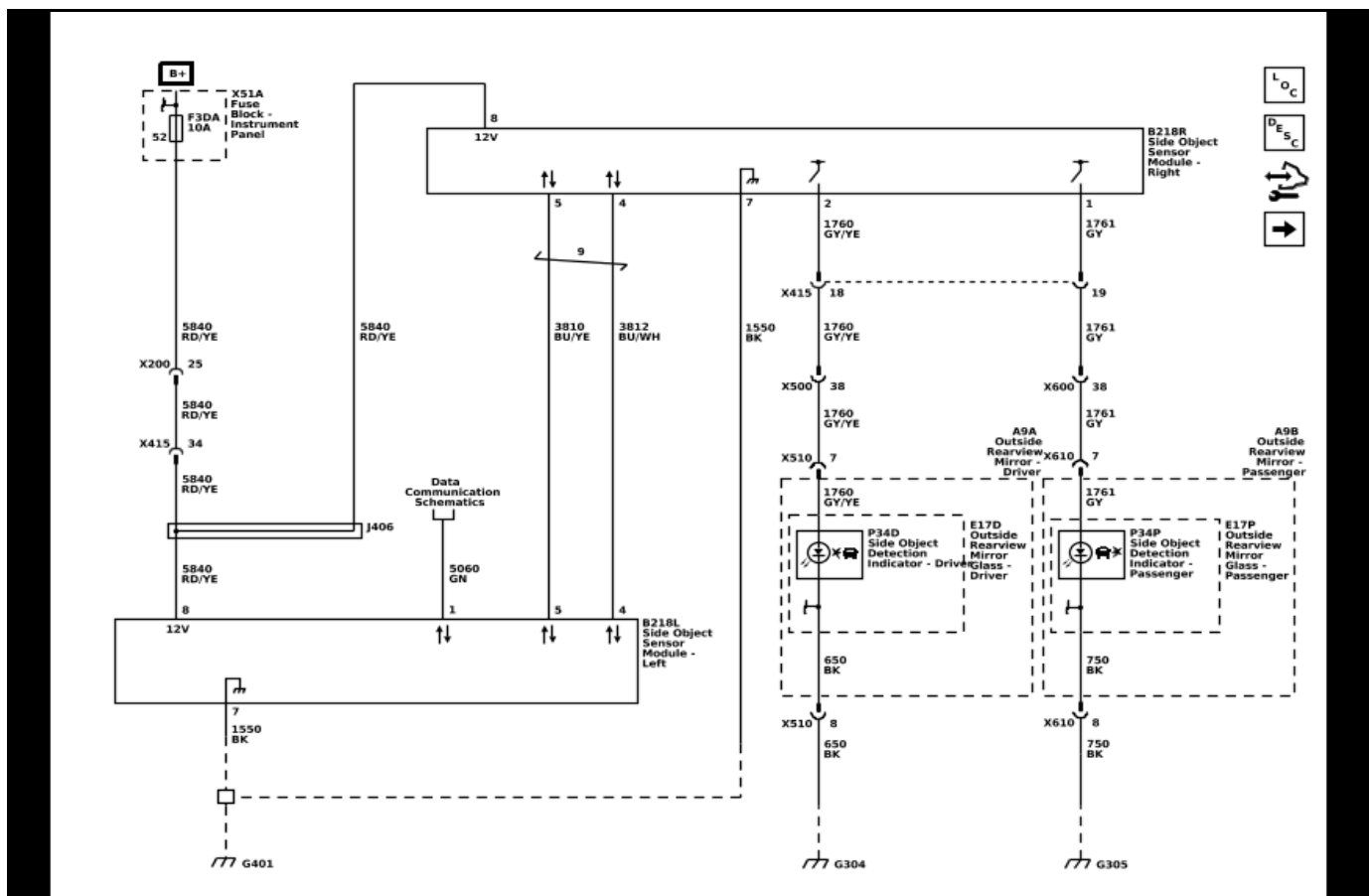
<b>Involved Region or Country</b>	North America, Europe, Middle East, GM Korea Company
<b>Condition</b>	Some customers may comment on a message illuminated in the driver information center (DIC). A technician may find DTC B094C (39) - Right Side Driver Assistance Systems set.
<b>Cause</b>	<b>Note:</b> Check the LED operation to try and help isolate the Condition to the driver or passenger mirror. The cause of the condition may be corrosion in the LED wiring harness connection in the left or right outside rearview mirror.
<b>Correction</b>	Upon verifying the condition, follow the appropriate direction and steps in the Service Procedure below.

Service Procedure



4533897

1. Remove the affected outside rearview mirror housing bezel (2). Refer to *Outside Rearview Mirror Housing Bezel Replacement* in SI.



4811651

2. Inspect the LED circuit in the mirror for corrosion. Refer to *Rear Cross Traffic Alert (UFG)* and *Side Object Detection (UC)* (Document ID #4817118) in SI.
  - If any corrosion IS found, it will be necessary to replace the mirror assembly. Refer to *Outside Rearview Mirror Replacement* in SI.
  - If NO corrosion is found, reinstall the mirror and follow the DTC B094C (39) diagnostics referenced in SI.

## Parts Information

Use the VIN and refer to the GM Electronic Parts Catalog (EPC) to determine the proper part to order.

Causal Part	Description	Part Number	Qty
X	MIRROR ASM-O/S RR VIEW	42690694 (Rt. Hand)	1
		42553500 (Rt. Hand)	
		42779315 (Rt. Hand)	
		42779313 (Rt. Hand)	
		42690697 (Rt. Hand)	
		42690696 (Rt. Hand)	
		42736385 (Rt. Hand)	
		42736384 (Lt. Hand)	
		42690693 (Rt. Hand)	
		42553501 (Lt. Hand)	
		42779314 (Lt. Hand)	
		42779312 (Lt. Hand)	
		42690698 (Lt. Hand)	
		42690695 (Lt. Hand)	

## Warranty Information

For vehicles repaired under warranty, use:

Labor Operation	Description	Labor Time
2050220	Outside Rearview Mirror Replacement	Use Published Labor Operation Time

<b>Version</b>	2
<b>Modified</b>	Released July 15, 2020 Revised January 20, 2023 – Updated the Cause, Service Procedure and Parts Information to note Condition could affect the driver or passenger side mirror.

GM bulletins are intended for use by professional technicians, NOT a "do-it-yourselfer". They are written to inform these technicians of conditions that may occur on some vehicles, or to provide information that could assist in the proper service of a vehicle. Properly trained technicians have the equipment, tools, safety instructions, and know-how to do a job properly and safely. If a condition is described, DO NOT assume that the bulletin applies to your vehicle, or that your vehicle will have that condition. See your GM dealer for information on whether your vehicle may benefit from the information.



WE SUPPORT VOLUNTARY  
TECHNICIAN  
CERTIFICATION