

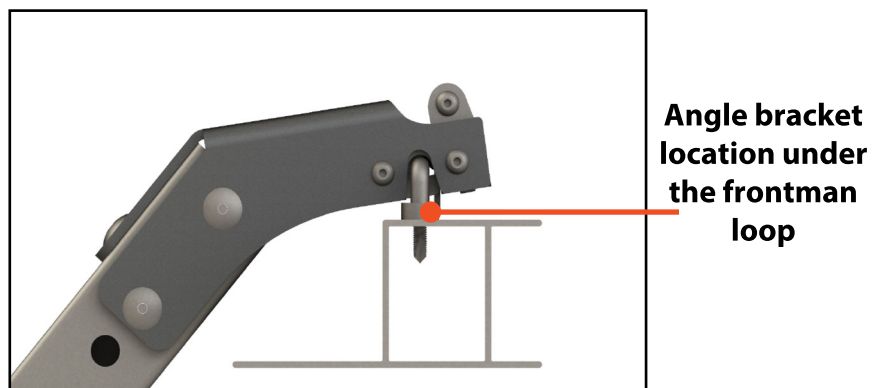
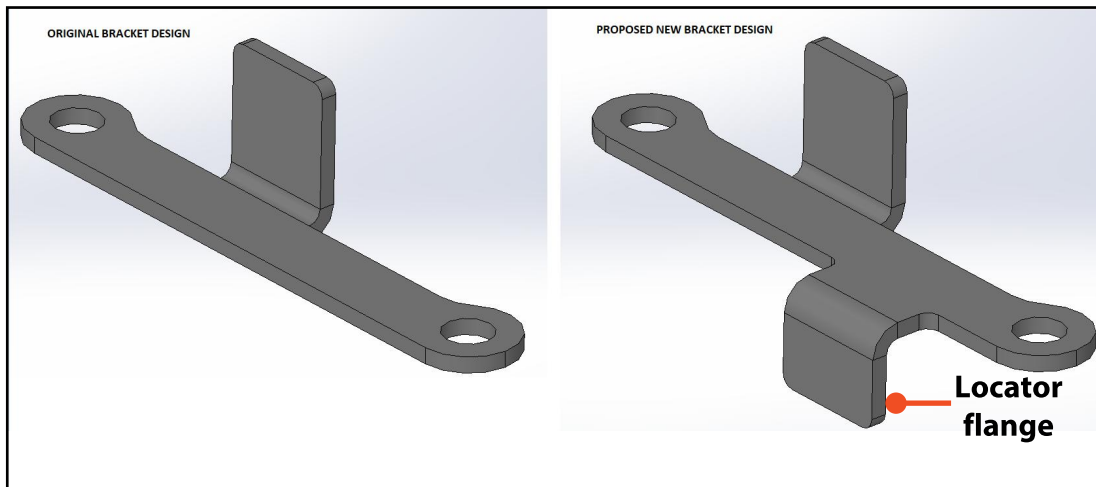
December 16, 2022

Product Improvement Notice - Locator flange added to Victory Step angle bracket

Dear Valued Customer:

Please be advised, Lippert has added a second flange to the angle bracket for Victory Steps. The second flange is a locating flange the OEM customer can use to set the correct distance on the ramp door.

Current angle bracket part number 726734 will be replaced with 2022454051. There is no change in price for the new angle bracket. The change will be made on a running basis, starting on or around first quarter 2023.



If you have any questions, please feel free to call me directly or your LCI representative. We value and appreciate your business and partnership.

Sincerely,

Mason Ogle

VP of RV Sales

Lippert Components, Inc.

c: 574.849.1742

mogle@lci1.com

Frequently Asked Questions:

- 1. Will a new part number be required?** Yes, current angle bracket part number 726734 will be replaced with 2022454051.
- 2. Does the price change for the item?** No, there is no price change.
- 3. Is the new part wholly interchangeable with the previous version of the part?** The brackets are interchangeable, however the current part will be obsoleted.
- 4. Does the customer need to replace inventory?** No, the change will be made on a running basis, starting first quarter 2023.