



# Technical Service Bulletin

SUBJECT:		NO: TSB-23-27-002	
<b>ADDITIONAL INFORMATION FOR GEAR OIL CHANGE - SERVICE MANUAL REVISION</b>		DATE: January 2023	
		MODEL: 2018-20 Eclipse Cross & 2022 Eclipse Cross	
CIRCULATE TO:	<input type="checkbox"/> GENERAL MANAGER	<input checked="" type="checkbox"/> PARTS MANAGER	<input checked="" type="checkbox"/> TECHNICIAN
<input checked="" type="checkbox"/> SERVICE ADVISOR	<input checked="" type="checkbox"/> SERVICE MANAGER	<input checked="" type="checkbox"/> WARRANTY PROCESSOR	<input type="checkbox"/> SALES MANAGER

## PURPOSE

This TSB provides additional information for the gear oil change procedure.

## AFFECTED VEHICLES

- 2018-2020 and 2022 Eclipse Cross and 2022 Eclipse Cross

## AFFECTED SERVICE MANUAL

- 2018-2020 and 2022 Eclipse Cross Service Manual, Group 27-Rear Axle

## PROCEDURE

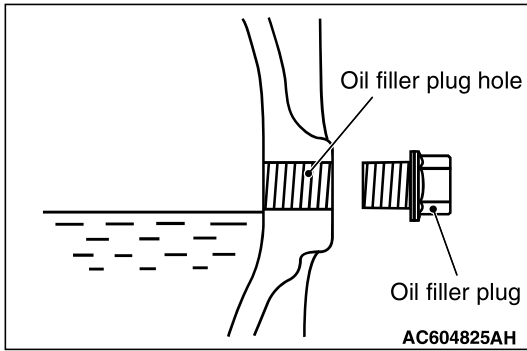
Please use the chart below and replace the indicated pages of the affected Service Manual, Group 27 - Rear Axle, On-Vehicle Service.

Applicable manual	Pub. No.	Applicable title (SIE No.)	Content
2018 ECLIPSE CROSS Service Manual	MSCD-020B-2018	GEAR OIL CHANGE	Attached sheet 1
2019 ECLIPSE CROSS Service Manual	MSCD-020B-2019		
2020 ECLIPSE CROSS Service Manual	MSCD-020B-2020		
2022 ECLIPSE CROSS Service Manual	MSCD-020B-2022		



Copyright 2023, Mitsubishi Motors North America, Inc.

The information contained in this bulletin is subject to change. For the latest version of this document, go to the Mitsubishi Dealer Link, MEDIC, or the Mitsubishi Service Information website ( <a href="http://www.mitsubishitechinfo.com">www.mitsubishitechinfo.com</a> ).
--

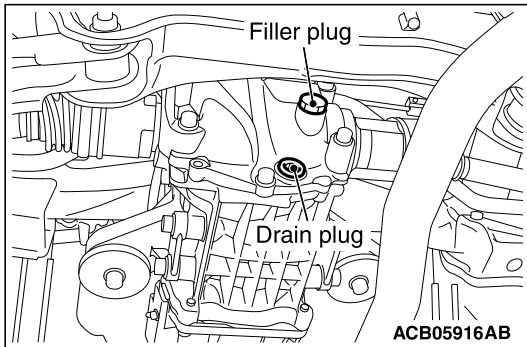


2. Check that the oil level is up to the lower edge of the oil filler plug hole.
3. Check that the oil is not noticeably dirty.
4. Tighten the filler plug to the specified torque.

**Tightening torque: 32 ± 2 N·m (24 ± 1 ft·lb)**

## GEAR OIL CHANGE

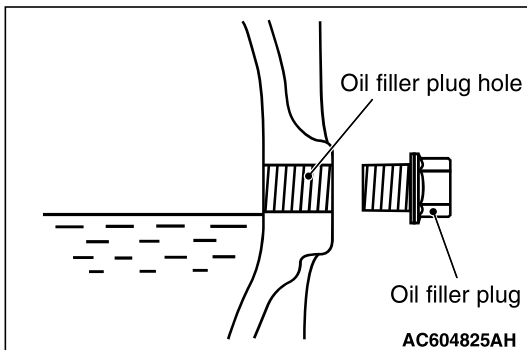
M1272004601233



1. Remove the filler plug.
  2. Remove the drain plug and drain oil.
  3. Tighten the drain plug to the specified torque.
- Tightening torque: 32 ± 2 N·m (24 ± 1 ft·lb)**

<Added>

**NOTE :** If the nozzle of the oil injector cannot be inserted to the filler plug hole, connect a hose with an outer diameter of 14 mm (0.6 inch) or less to the tip of the nozzle and supply the oil.



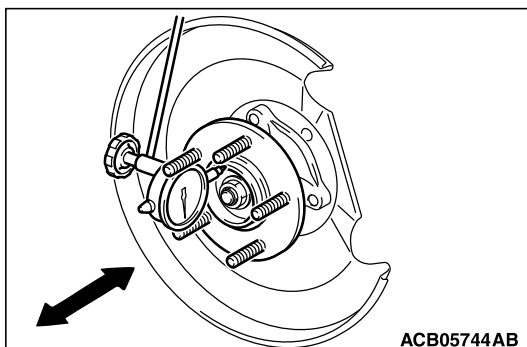
4. Fill the oil until the level comes to the lower portion of the filler plug hole.

**Specified gear oil: Mitsubishi Motors Genuine Super Hypoid Gear Oil API GL-5 SAE 80**  
**Amount to use: approx. 0.4 L (0.42 qt)**

5. Tighten the filler plug to the specified torque.
- Tightening torque: 32 ± 2 N·m (24 ± 1 ft·lb)**

## WHEEL BEARING END PLAY CHECK

M1271000901734



1. Remove the caliper assembly and the brake disc. Retain the caliper assembly with a wire and the like to prevent from falling.
2. Set a dial gauge as shown in the figure. Move the hub in the axial direction and measure the looseness.

**Limit: 0.05 mm (0.002 inch)**

3. When the looseness exceeds the limit, replace the rear wheel hub assembly.
4. After checking, install the brake disc and the caliper assembly, and tighten the caliper mounting bolt to the specified torque.

**Tightening torque: 58 ± 7 N·m (43 ± 5 ft·lb)**