

## Rearview Mirror Mount Spring Replacement

### AFFECTED VEHICLES

Year	Model	Trim
2022–23	Civic	ALL
2021–23	Odyssey	ALL
2023	Pilot	ALL
2023	CR-V	ALL
2023	HR-V	EX-L
2023	Accord	ALL

### AFFECTED PARTS

#### Civic

Year	Trim	Part Number
2022–23	LX, EX, EX-T, SI, Sport, Type R	76405-TGV-A01
2021–23	Touring, Sport Touring	76405-THR-A41

#### Odyssey

Year	Trim	Part Number
2022–23	LX, EX	76405-TGR-A31
2021–23	EX-L, Elite, Touring, Sport	76405-THR-A41

#### Pilot

Year	Trim	Part Number
2023	EX-L, Elite, Touring, Trailsport	76405-T90-A01
2023	Sport, LX	76405-T90-A31

**CR-V**

Year	Trim	Part Number
2023	EX	76405-THR-A31
2023	EX-L	76405-TYA-A01

**CR-V Hybrid**

Year	Trim	Part Number
2023	Sport	76405-THR-A31
2023	Touring	76405-TYA-A01

**HR-V**

Year	Trim	Part Number
2023	EX-L	76405-THR-A41

**Accord**

Year	Trim	Part Number
2023	LX, EX	76405-TGV-A01

**Accord Hybrid**

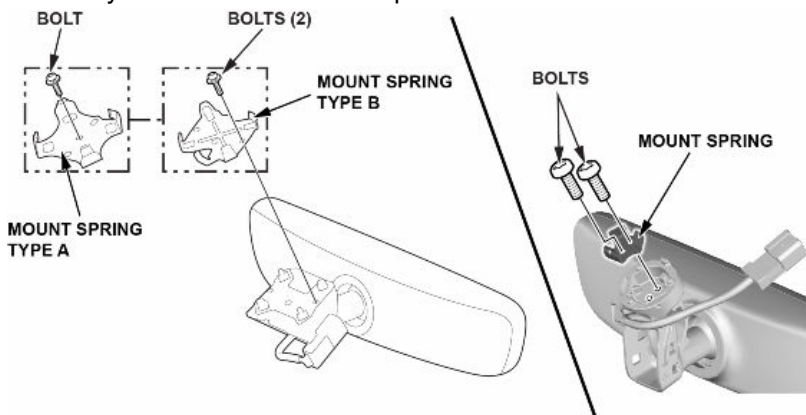
Year	Trim	Part Number
2023	Sport	76405-TGV-A01
2023	EXL, Touring	76405-TYA-A01

**EDITOR'S NOTE:** This article revises the one posted in August 2021.

The rearview mirror mount spring has a new design. Per regulation requirement, the mirror is designed to breakaway in the event of a crash.

The mount spring **must be replaced anytime the mirror is removed from the windshield**. The mount spring for the rearview mirror is a one-time use item. Upon installation, a new mount spring must be torqued to the specification noted in Service Information.

If the mirror comes off the windshield with no damage, only the **mount spring** needs to be replaced. The full mirror assembly does not need to be replaced.



Check the Service Manual for Torque Specifications