

Cayenne E-Hybrid – Thermal Management Fault P26B100 Causes Check Engine Light

Vehicles Affected

Models	Model Year	Model Type	VIN Range	Vehicle-Specific Equipment
Cayenne	As of 2019 up to 2023	9YAAE1 9YACH1 9YADE1 9YBAE1 9YBCH1 9YBDE1	N/A	+OK3

Revision History

Revision	Release Date	Changes
0	August 3, 2022	Original document
1	March 16, 2023	Update of MY, Technical Background, Service Information

Condition

The customer complains of a check engine light. The light may be continuous or intermittent.

The workshop finds the fault P26B100 - Directional-control valve for high-temperature circuit (UVW3) – function implausible stored in the Thermal Management Control Unit (TME).

Area of Occurrence (DME, Instrument Cluster, etc.)

82740 – Directional-control valve (changeover valve UVW3)

Technical Background

The aforementioned fault code may be caused by a misdiagnosis of the directional control valve for the high temperature circuit for interior heating (valve UVW3).

Under certain operating conditions, a lack of temperature difference between the engine coolant circuit and the interior heating circuit may result in the TME diagnosing valve UVW3 as "stuck closed", despite no mechanical fault in the valve.

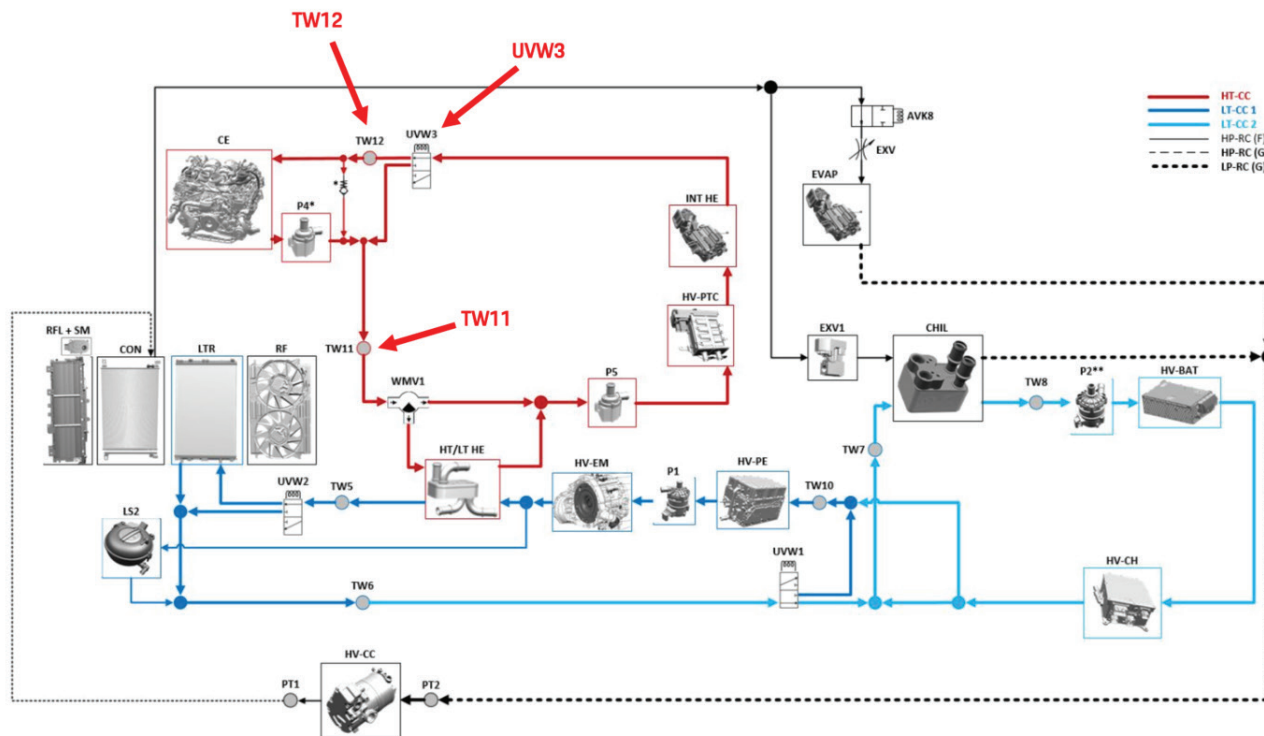


Figure 1 - Cayenne E-Hybrid Cooling Circuits

Valve UWV3 controls the direction of coolant flow based on engine temperature. The valve defaults to closed, such that the high-temp circuit excludes the engine coolant circuit. During this “small-circuit” operation, the HV PTC controls the temperature of the high-temp circuit to meet the heating and air conditioning demands of the customer. Once the engine reaches 40° C, the valve opens (“large-circuit” operation) and the high-temp circuit uses the engine heat instead of the HV PTC.

The status of UWV3 is diagnosed by the absolute value of the temperature difference between TW11 and TW12. The TME expects this difference to be **larger than 7° C while the valve is closed, but smaller than 7° C while the valve is open**. Certain operating conditions may cause the temperature difference to fall below 7° C while the valve is closed. If this condition exists while the TME is performing diagnostics, the valve will be diagnosed as open, although it is closed due to the engine temperature being less than 40° C.

Service Information

A software solution is currently in development. Until a permanent solution is available, please perform the following:

1. Create a VAL to document the occurrence of TME fault P26B100.
2. **For MY20-23 only:** Check the TME software version Thermal Management (TME) --> Extended Identifications. If the TME is at software version 0304, please update the TME to the latest software version as instructed in "TI - 9YA 9YB 8 193/22 Check Engine Warning Light Active / Fault Memory Entry "P26B100/00CB24" in the Thermal Management Control Unit (TME): Reprogramming Control Unit"
3. Verify proper routing of the coolant lines by inspection.
4. With the front climate controls set to 72° F/ 22° C, A/C off, verify proper operation of the valve UVW3 via the Actual values:
Thermal Management (TME) → Actual Values → High-temperature circuit → Directional-control valve for high-temperature circuit for interior heating (UVW3)
 - a. The actual value should display "actuated" if the coolant temperature given by the actual value "Combustion engine coolant temperature (via CAN)" is less than 40° C.
 - b. The actual value should display "not actuated" if the coolant temperature given by the actual value "Combustion engine coolant temperature (via CAN)" is greater than 40° C.
5. Create a VAL to document any TME software updates.

To reduce the likelihood of the fault TME P26B100 occurring, the customer may activate interior preconditioning prior to departure. This may be done either via a Departure Timer in the Hybrid menu in the PCM, or via the My Porsche smartphone app.

Warranty

As always, please document the repair completely in PCSS.

For this repair, please code the "cause" as follows:

Cause location: 82740 Directional-control valve
Cause symptom: 1613 No function occasionally

Use the following troubleshooting labor operation:

03350000 On board diagnostic

Additional labor operations may be claimed only as needed.

Search Items

Cayenne, 9YA, 9YB, check engine light, TME, thermal management, P26B100, hybrid, E-Hybrid

Important Notice: Technical Bulletins issued by Porsche Cars North America, Inc. are intended only for use by professional automotive technicians who have attended Porsche service training courses. They are written to inform those technicians of conditions that may occur on some Porsche vehicles, or to provide information that could assist in the proper servicing of a vehicle. Porsche special tools may be necessary in order to perform certain operations identified in these bulletins. Use of tools and procedures other than those Porsche recommends in these bulletins may be detrimental to the safe operation of your vehicle, and may endanger the people working on it. Properly trained Porsche technicians have the equipment, tools, safety instructions, and know-how to do the job properly and safely. Part numbers listed in these bulletins are for reference only. The work procedures updated electronically in the Porsche PIWIS diagnostic and testing device take precedence and, in the event of a discrepancy, the work procedures in the PIWIS Tester are the ones that must be followed.