



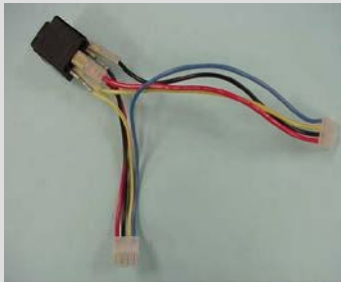
Kwikee Level Best Touch Pad and Control Kit Identification

© Copyright Power Gear Issued: April, 2012

#82-L0517, Rev. 0C 10/13

NOTE

All of the Kwikee Level Best Control Kits include a Power Harness (1510000097) as shown below.



Power Harness 1510000097

The Kwikee Level Best Service Guide is document number: **KSG002**. This is available on our website at www.lci1.com.

NOTE

4 pin connector on back:
The 4 pin connector is used for an external dash light if optionally equipped by the OEM.

8 pin connector on back:
The 8 pin connector is used for the air dump and fill feature. It is also used for a remote auto mode feature and an external dash light. These features are optionally equipped by the OEM.

Level Best Touch Pad and Control Kit for Winnebago Only



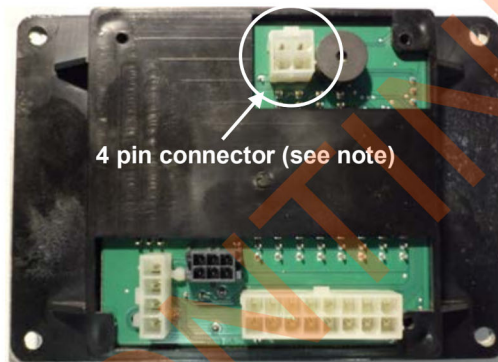
Auto Mode Button

NLA Touch Pad Control

Touch Pad	1802839
Bezel	NLA
Module	NLA

NLA Control Kit Includes (see note):

Touch Pad Control	NLA
Power Harness	1510000097
TIP Sheet	3010001552



4 pin connector (see note)



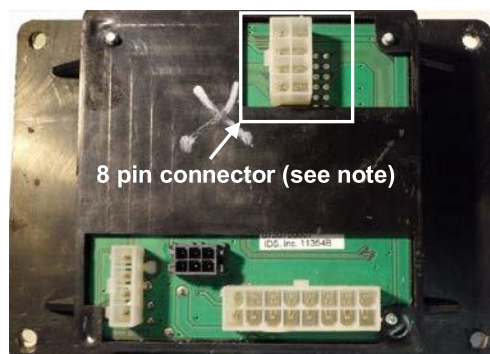
Auto Mode Button

NLA Touch Pad Control

Touch Pad	1802839
Bezel	NLA
Module	NLA

NLA Control Kit Includes (see note):

Touch Pad Control	NLA
Power Harness	1510000097
TIP Sheet	3010001552



8 pin connector (see note)



! NOTE

All of the Kwikee Level Best Control Kits include a Power Harness (1510000097) as shown below.

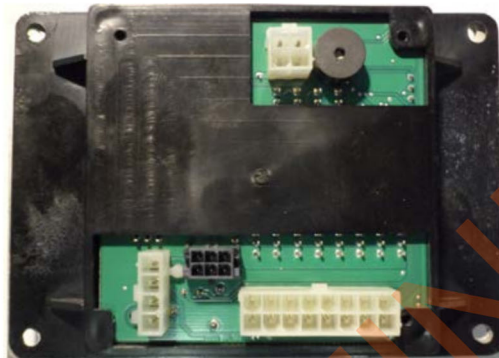


Power Harness 1510000097

Level Best Touch Pad and Control Kit for Winnebago Only



NLA Touch Pad Control	
Touch Pad	1802838
Bezel	NLA
Module	NLA

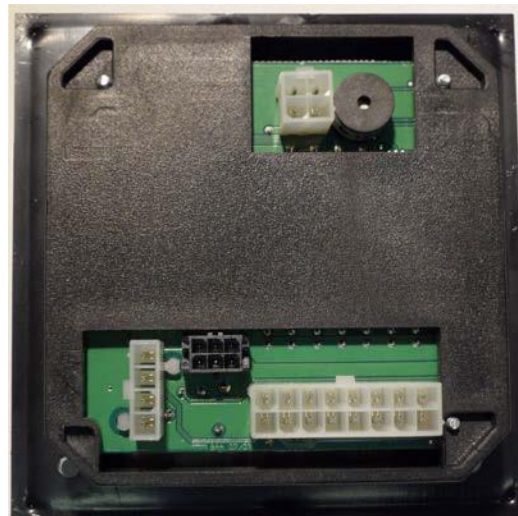


NLA Control Kit Includes (see note):	
Touch Pad Control	NLA
Power Harness	1510000097
TIP Sheet	3010001552

Level Best Touch Pad and Control Kit for Aftermarket Installed Systems



NLA Touch Pad Control	
Touch Pad	1802837
Bezel	1602510
Module	NLA



NLA Control Kit Includes (see note):	
Touch Pad Control	NLA
Power Harness	1510000097
TIP Sheet	3010001552



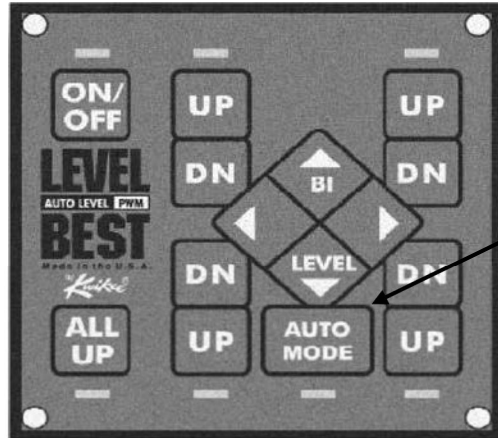
Level Best Touch Pad and Control Kit for Aftermarket Installed Systems

NOTE

All of the Kwikee Level Best Control Kits include a Power Harness (1510000097) as shown below.

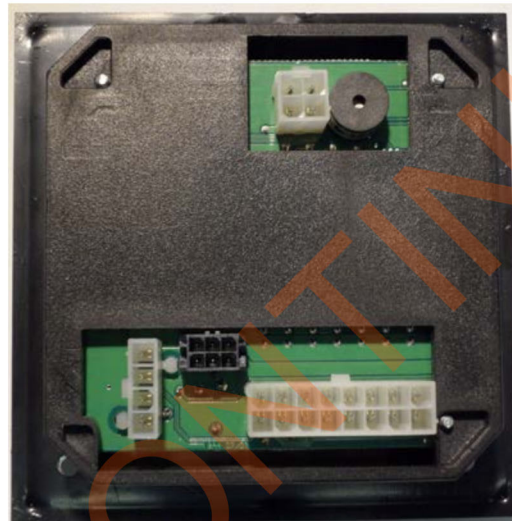


Power Harness 1510000097

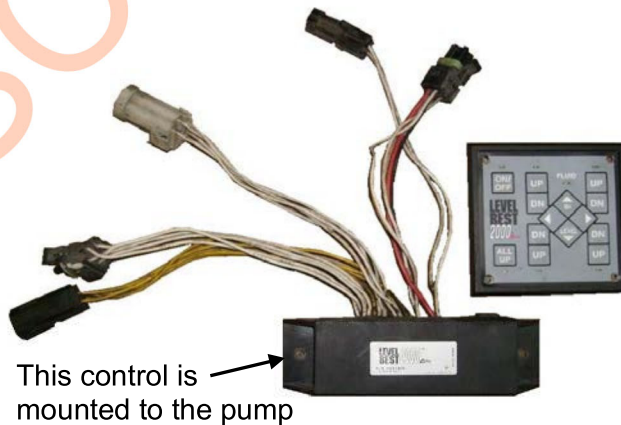


Auto Mode Button

NLA Touch pad Control	
Touch Pad	NLA
Bezel	1602510
Module	NLA



NLA Control Kit Includes (see note):	
Touch Pad Control	NLA
Power Harness	1510000097
TIP Sheet	3010001552



This control is mounted to the pump

906916000
This control is **Obsolete** and replaced with kit part number **906915120**.



Phone style connector on back

906915120 Control Kit includes (see note):			
Touch Pad	1802837	Standard harness	1809896
Wire harness for solenoids	NLA	Emergency retract harness	1809908
Harness from control to pump 16'	NLA	Daisy chain harness	NLA
Control	NLA	Install instructions	1422271

