

DOORS

Purpose

This document provides the steps to replace interior and exterior window frames and the window glass in a standard RV entry door.

Resources Required

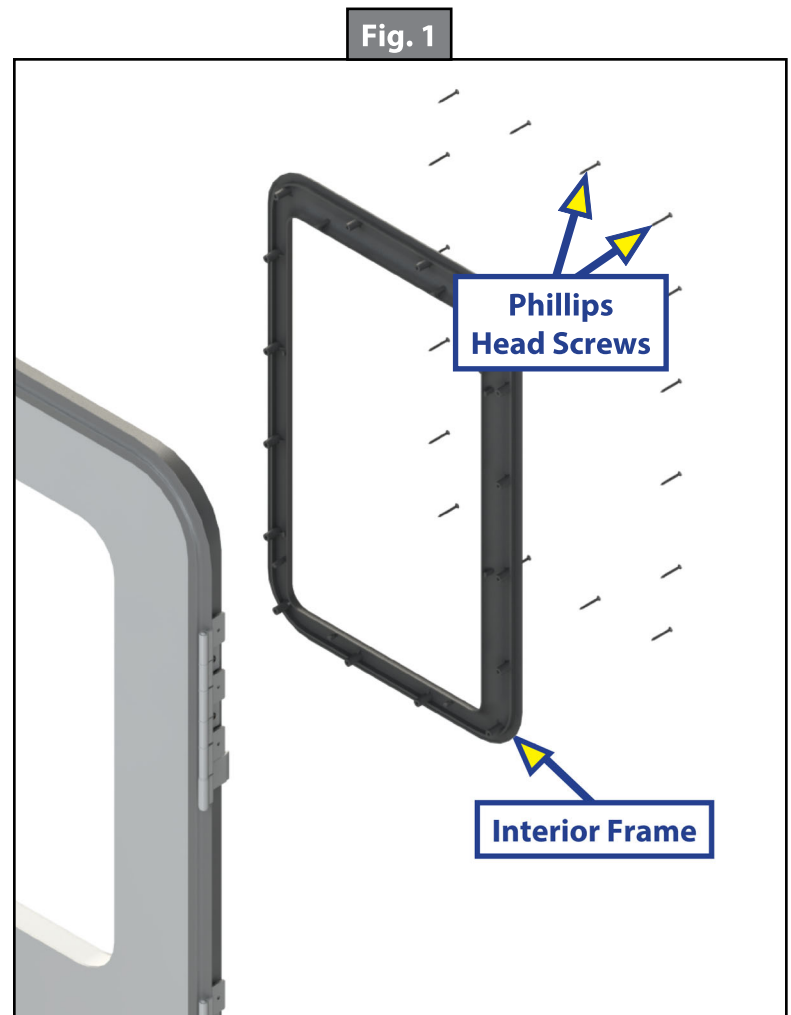
- Cordless or Electric Drill or Screw Gun
- Appropriate Drive Bits
- Exterior Grade Glass Sealant

Replacement Window Components	
Part #	Description
201475	Exterior Window Frame (White)
201477	Exterior Window Frame (Black)
201474	Interior Window Frame (White)
201476	Interior Window Frame (Black)
201495	Window Glass (Obscure)
226092	Window Glass (Clear)
226093	Window Glass (Dark Tint G20)

Window Component Replacement Procedures

Replacing Interior Frame

1. Remove the 16 Phillips head screws from the interior window frame (Fig. 1).
2. Support the window glass with one hand on the exterior side of the window before pulling away interior frame. Do NOT push hard on the window, glass can fall through the frame during the interior frame removal.
3. Remove interior window frame from window opening (Fig. 1).
4. Use care to secure glass during the frame installation.
5. Place new interior frame into position and secure the window assembly with 16 new Phillips head screws.
6. Inspect for broken or cracked seal between the door core and the exterior frame or between the glass and the exterior frame. If necessary, caulk these locations with an exterior grade sealant.



DOORS

Fig. 2

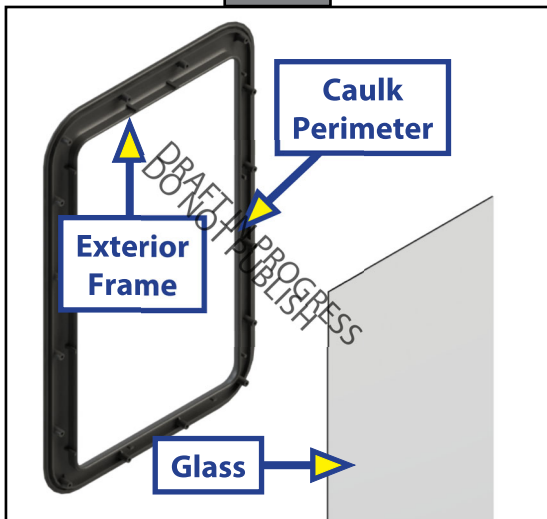
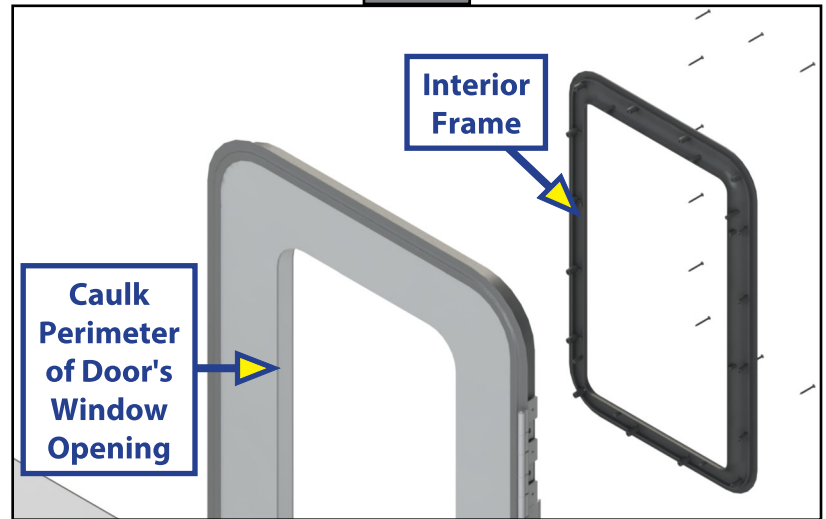


Fig. 3



Replacing Glass

1. Remove the 16 Phillips head screws from the interior window frame.
2. Support the glass with one hand on the exterior side of the window before pulling away interior frame. Do NOT push hard on the window, glass can fall through the frame during the interior frame removal.
3. Remove interior window frame from the window opening and set aside.
4. Remove exterior window frame and glass and place on a flat surface.
5. Carefully remove old glass from exterior window frame.
6. Caulk inside perimeter of exterior frame with exterior grade sealant (Fig. 2).
7. Make sure the DOT stamp on the glass is facing outward, then place the new glass into the exterior window frame.
8. Using exterior grade sealant, caulk the exterior perimeter of the door's window opening (Fig. 3).
9. Install exterior window frame assembly into the window's opening.
10. Install interior window frame.
11. Secure window assembly with 16 new Phillips head screws.

Replacing Exterior Frame

1. Remove the 16 Phillips head screws from the interior window frame.
 2. Support the glass with one hand on the exterior side of the window before pulling away interior frame. Do NOT push hard on the window, glass can fall through the frame during the interior frame removal.
 3. Remove interior window frame from window opening and set aside.
 4. Remove exterior frame with glass and place on a flat surface.
 5. Carefully remove the glass from the inside of the old exterior window frame.
 6. Make sure the DOT stamp on the glass is facing outward, then place the glass into the new exterior window frame.
- NOTE:** A new exterior window frame is supplied with sealant in place. There is no need to caulk the perimeters of the window frame or the door's window opening.
7. Place the exterior window frame into the door's window opening.
 8. Install interior window frame.
 9. Secure window assembly with 16 new Phillips head screws.

As a supplier of components to the RV industry, safety, education and customer satisfaction are our primary concerns. Should you have any questions, please do not hesitate to contact us at (574) 537-8900 or by email at customerservice@lci1.com. Self-help tips, technical documents, product videos and a training class schedule are available at lci1.com or by downloading the MyLCI app.