

ATTENTION:

- GENERAL MANAGER
- PARTS MANAGER
- CLAIMS PERSONNEL
- SERVICE MANAGER

IMPORTANT - All Service Personnel Should Read and Initial in the boxes provided, right.



QUALITY DRIVEN® SERVICE

SERVICE BULLETIN

APPLICABILITY: 2010-2012MY Legacy and Outback Models with CVT

NUMBER: 16-85-12

DATE: 11/26/12

SUBJECT: CVT Secondary Pressure Sensor Diagnostics

INTRODUCTION

This Bulletin provides an inspection and diagnosis method for the CVT's secondary pressure sensor which if failed, could create a customer concern of a squealing-type sound during light throttle application. The Service Manual will be revised in the future with this information.

SERVICE PROCEDURE / INFORMATION

- Road test the vehicle to confirm the condition and bring the transmission up to normal operating temperature.
- Turn off the ignition and allow the vehicle to sit at least 10 minutes while preparing the SSMIII and gaining access to the Transmission Control Module (TCM) main wiring harness connector. This will allow the secondary pressure sensor sufficient time to fully drain off any residual fluid pressure.
- After connecting the SSMIII, confirm the CVT's fluid temperature is between 10° and 80°C (50°- 176°F). **NOTE: DO NOT** start the engine at any time while performing the following voltage checks.
- Perform the following voltage checks on the TCM connector, B54:
 1. With the ignition switch on and engine off, check the voltage between pin #2 (power supply) and #15 (ground). Specified value is 4.8v to 5.2v. If the voltages are outside of the specified range, the TCM is damaged along with the pulley surfaces of the CVT due to chain slippage. Replace both the TCM and the CVT assembly.

Continued...

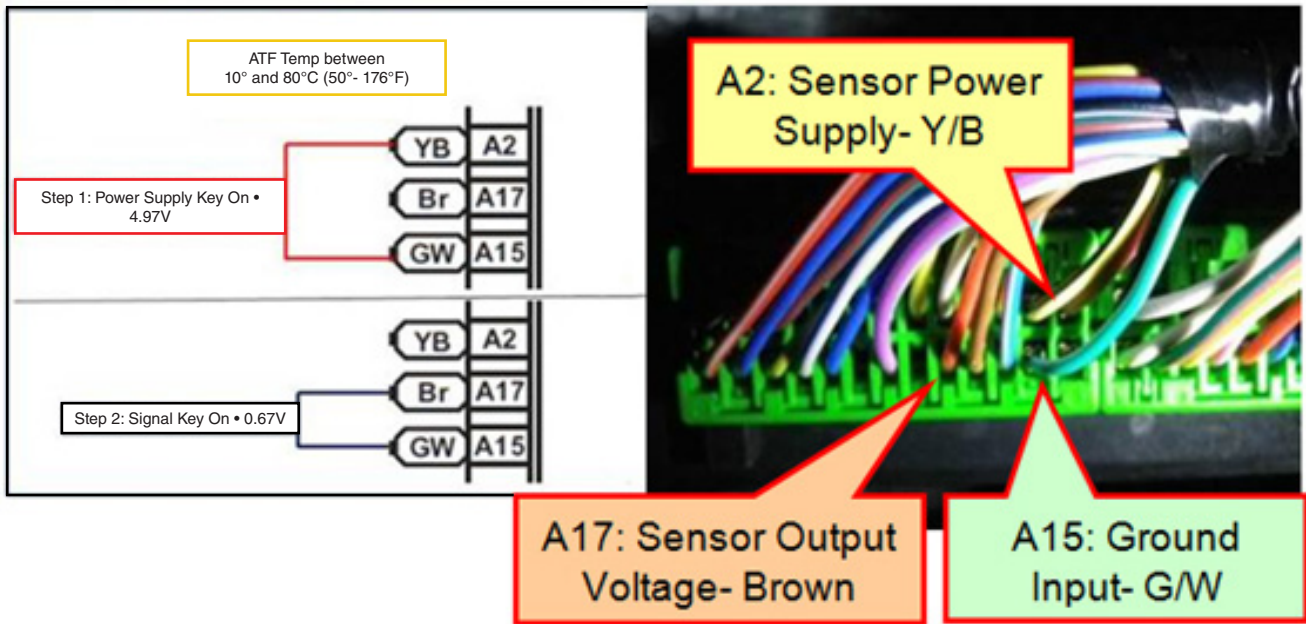
CAUTION: VEHICLE SERVICING PERFORMED BY UNTRAINED PERSONS COULD RESULT IN SERIOUS INJURY TO THOSE PERSONS OR TO OTHERS.

Subaru Service Bulletins are intended for use by professional technicians ONLY. They are written to inform those technicians of conditions that may occur in some vehicles, or to provide information that could assist in the proper servicing of the vehicle. Properly trained technicians have the equipment, tools, safety instructions, and know-how to do the job correctly and safely. If a condition is described, DO NOT assume that this Service Bulletin applies to your vehicle, or that your vehicle will have that condition.

SUBARU OF AMERICA, INC. IS "ISO 14001 COMPLIANT"

The international standard for excellence in Environmental Management Systems. Please recycle or dispose of automotive products in a manner that is friendly to our environment and in accordance with all local, state and federal laws and regulations.

2. With the ignition switch on and engine off, check the voltage between pin #17 (pressure sensor output voltage) and #15 (ground). Specified value is 0.45v to 0.55v. If the voltages are outside of the specified range, the secondary pressure sensor is damaged along with the pulley surfaces of the CVT due to chain slippage. Replace the CVT assembly.
3. **IMPORTANT:** Before ordering a new TCM and / or CVT, perform these same voltage checks at the secondary pressure sensor connector (AT6) and (if necessary), the main transmission harness connectors (T4 and B11). Ruling out wiring issues will prevent repeat or unnecessary component replacements.



REMINDER: Whenever replacing the CVT assembly, TCM, control valve body or servicing the CVT fluid, the Learning Control procedure must be completed.

WARRANTY / CLAIM INFORMATION

For vehicles within the Basic New Car Limited Warranty period, this repair may be claimed using the following information:

LABOR DESCRIPTION	LABOR OPERATION #	FAIL CODE	LABOR TIME
Remanufactured Transaxle R&R, CVT	B139-301	TMA-25	4.9
TCM R&R	C303-100		0.2