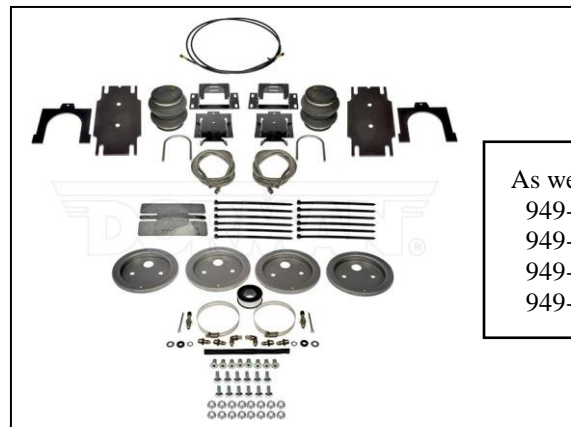
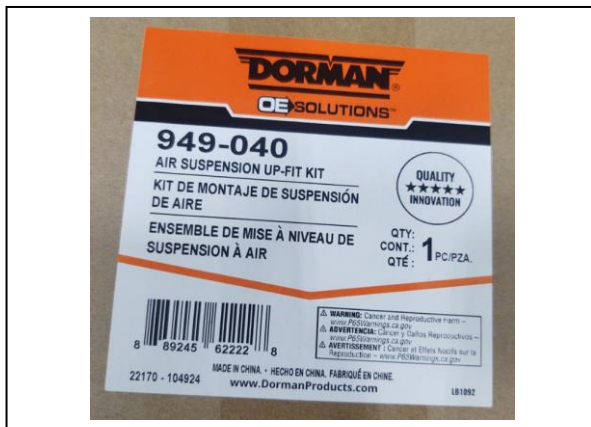


**Product Category:** Air Suspension Upfit Kit  
**Part Number(s):** 949-040, 949-041, 949-042, 949-043, 949-044  
**Destroy in Field:** No  
**Return Authorization:** Yes  
**Return Location:** Dorman Products, 3400 East Walnut Street, Colmar, PA 18915  
**Issue Credit:** Please be sure to code return with <RGA-Q> number on outside of container  
**All Inventory Applicable:** No  
**New Product Availability:** SKUs are discontinued

---

**Return for Inspection Instructions:**

- Dorman requests that inventory be returned for Air Suspension Upfit Kits, 949-040, 949-041, 949-042, 949-043, and 949-044, noted in the header, including all date codes.
- This set of SKUs are discontinued and at this time Dorman does not have plans for replacement SKUs.



As well as:  
949-041  
949-042  
949-043  
949-044

**Notes/Comments:**

- If there are any problems with one of these parts, on the vehicle level, we will cover through the Dorman labor claims process.

**Return Instructions:**

1. Please pull all affected inventory.
2. Please contact Customer Relations Dorman by e-mail or phone ([rgarequests@dormanproducts.com](mailto:rgarequests@dormanproducts.com) / phone 1-800-523-2492) to obtain a RGA Q-Number.

You will need to provide:

- a. Customer Account
- b. Part number
- c. Quantity being returned

3. Please mark these to:

Dorman Products, Inc- Returns  
3400 East Walnut Street  
Colmar, PA 18915  
Attn: RGA Q-Number \_\_\_\_\_

4. Return to Dorman Products, freight collect, by using the Dorman-arranged carrier for your RGA (typically Conway).

Thank you for your understanding and assistance with this matter.