

WNH9 – Replacing Front Cover on Steering Wheel (Workshop Campaign)

- Revision: This bulletin replaces bulletin Group 4 127/22 WNH9, dated March 17, 2023.
- Model Year: **As of 2021 up to 2022**
- Model Line: **Panamera (971)**
- Equipment: GT sports steering wheel with carbon steering wheel cover incl. heated steering wheel (**M-No. 2PF**)
- Concerns: **Cover on front steering wheel**
- Cause: **An incorrect variant of the cover on the front steering wheel was installed on the affected vehicles due to an error in the parts list.**

Action required: Replace cover on front steering wheel with a cover in High-gloss carbon.



Information

Every vehicle is assigned just one campaign scope.

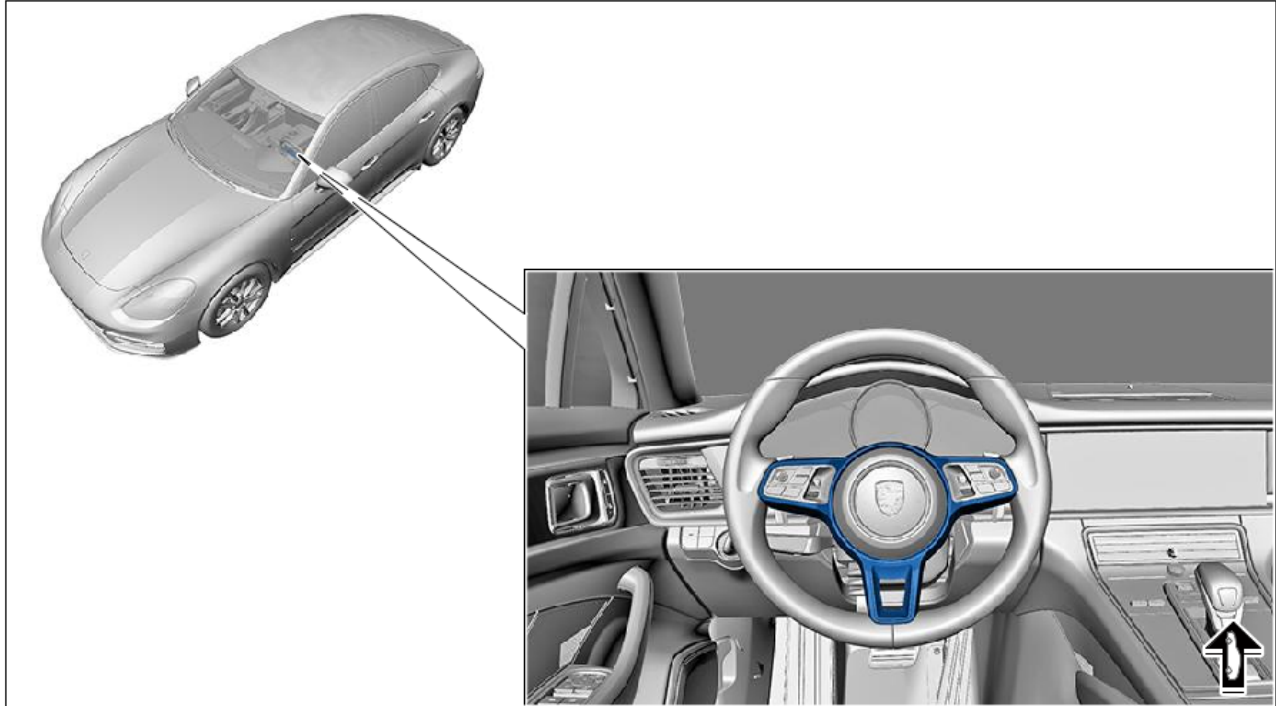
⇒ To find out which scope is assigned to the relevant vehicle, see PCSS Vehicle Information.

- Scope 1:** Cover, black/black
- Scope 2:** Not valid
- Scope 3:** Cover, agate grey/black
- Scope 4:** Cover, saddle tan/black
- Scope 5:** Cover, marsala red/black
- Scope 6:** Cover, black/truffle brown
- Scope 7:** Cover, cohiba brown/black
- Scope 8:** Cover, black/black
- Scope 9:** Cover, saddle tan/black
- Scope 10:** Cover, marsala red/black

The **part numbers** of the **parts required** for the respective vehicle are specified in the **assigned scope**. For an overview of the campaign scopes, see: ⇒ *Technical Information 'Warranty processing'*

Affected Vehicles: Only vehicles assigned to the campaign (see also PCSS Vehicle Information).

Installation
Position:



Installation position of cover on front steering wheel

Preliminary work

- Work Procedure: 1 Disconnecting earth line for battery. ⇒ *Workshop Manual '2X00IN Work instructions after disconnecting the battery'*
- 2 Remove driver's airbag unit. ⇒ *Workshop Manual '695819 Removing and installing driver's airbag unit'*
- 3 Remove steering wheel. ⇒ *Workshop Manual '481019 Remove and install steering wheel'*

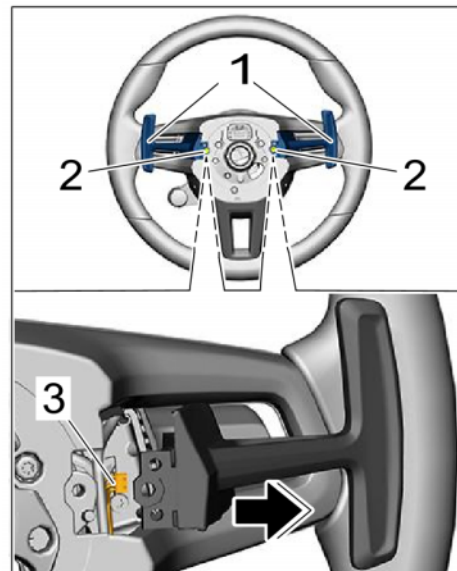
Replace front cover on steering wheel



Information

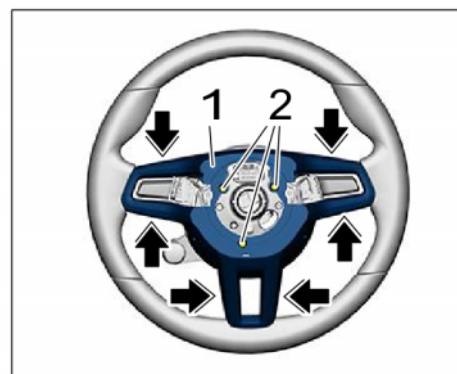
The number of electric plug connections and switch will vary depending on equipment.

- Work Procedure: 1 Remove rocker switches ⇒ *Removing rocker switches -1-*.
- 1.1 Unscrew screws ⇒ *Removing rocker switches -2-*.
 - 1.2 Pull out rocker switches ⇒ *Removing rocker switches -1-* ⇒ *Removing rocker switches -Arrow-*, until the electric plug connections ⇒ *Removing rocker switches -3-* are accessible.
 - 1.3 Release and disconnect the electric plug connections ⇒ *Removing rocker switches -3-* and remove rocker switches from the steering wheel.



Removing rocker switches

- 2 Removing rear cover ⇒ *Removing rear cover -1-*.
 - 2.1 Unscrew screws ⇒ *Removing rear cover -2-*.
 - 2.2 Press front cover (**counterpart**) gently together from the outside in ⇒ *Removing rear cover -Arrow directions-*.
 - 2.3 Carefully unclip rear cover ⇒ *Removing rear cover -1-* from front cover (**counterpart**).
 - 2.4 Remove rear cover ⇒ *Removing rear cover -1-* from steering wheel.



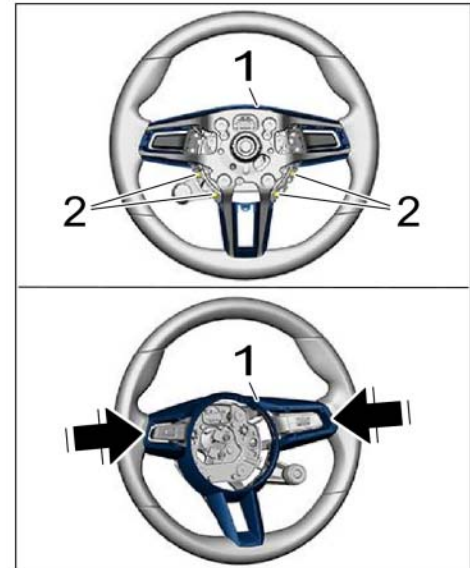
Removing rear cover

- 3 Replacing ⇒ *Replacing front cover -1-* front cover.
 - 3.1 Unscrew screws ⇒ *Replacing front cover -2-*.
 - 3.2 Carefully unclip front cover ⇒ *Replacing front cover -1-* on ⇒ *Replacing front cover -Arrows-*.
 - 3.3 Remove front cover ⇒ *Replacing front cover -1-* from steering wheel.
 - 3.4 Position the **new** front cover ⇒ *Replacing front cover -1-* on the steering wheel.
 - 3.5 Carefully clip in front cover ⇒ *Replacing front cover -1-* to ⇒ *Replacing front cover -Arrows-*.
 - 3.6 Check that the front cover is seated correctly ⇒ *Replacing front cover -1-*.
 - 3.7 Screw in and tighten screws ⇒ *Replacing front cover -2-*.

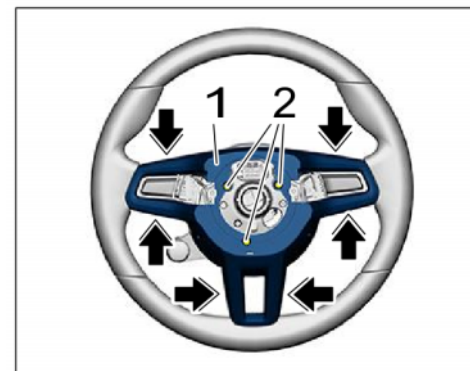
Tightening torque 1.5 Nm (1.1 ftlb.)

- 4 Install rear cover ⇒ *Install rear cover -1-*.
 - 4.1 Clip rear cover ⇒ *Install rear cover -1-* into the front cover.
 - 4.2 Screw in and tighten screws ⇒ *Install rear cover -2-*.

Tightening torque 2.8 Nm (2.1 ftlb.)



Replacing front cover



Install rear cover

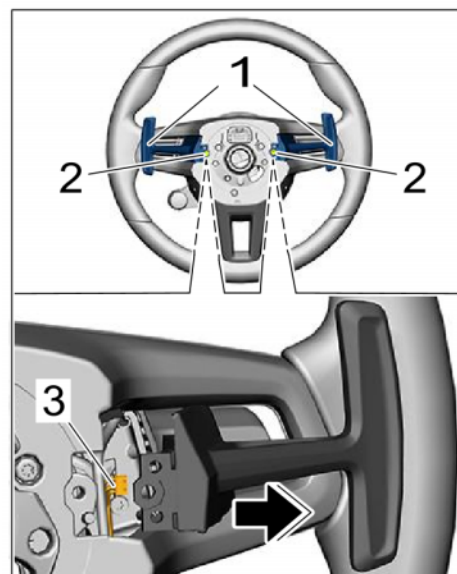
5 Install rocker switches ⇒ *Install rocker switches -1-*.

5.1 Connect and lock electric plug connections ⇒ *Install rocker switches -3-*.

5.2 Position rocker switches ⇒ *Install rocker switches -1-* on the steering wheel.

5.3 Screw in and tighten screws ⇒ *Install rocker switches -2-*.

Tightening torque 3.5 Nm (2.6 ftlb.)



Install rocker switches

Concluding work

- Work Procedure: 1 Install steering wheel. ⇒ *Workshop Manual '481019 Remove and install steering wheel'*
- 2 Install driver's airbag unit. ⇒ *Workshop Manual '695819 Removing and installing driver's airbag unit'*
- 3 Enter the campaign in the Warranty and Maintenance booklet.

Warranty processing



Information

The specified working times were determined specifically for carrying out this campaign and may differ from the working times published in the Labor Operation List in the PCSS.

Scope 1: Vehicles **with front steering wheel cover – color variant: black/black**

Labor time:		
Replace front cover on steering wheel		Labor time: 60 TU
Includes:	Remove and install steering wheel	
	Removing and installing rocker switches	
	Removing and installing cover for rear steering wheel	
	Removing and installing cover for front steering wheel	

Parts required:

V04015001HJ	Cover on steering wheel black/black	1 piece
and		
N 90799102	Countersunk screw with internal serration, M18 x 1.5 x 18	1 piece

⇒ Damage code WNH9 066 000 2

Scope 2: Not valid, **no invoicing possible under this scope**Scope 3: Vehicles **with front steering wheel cover – color variant: agate grey/black****Labor time:**Replace front cover on steering wheel Labor time: **60 TU**

Includes:

- Remove and install steering wheel
- Removing and installing rocker switches
- Removing and installing cover for rear steering wheel
- Removing and installing cover for front steering wheel

Parts required:

V04015001HN	Steering wheel cover, agate grey/black	1 piece
and		
N 90799102	Countersunk screw with internal serration, M18 x 1.5 x 18	1 piece

⇒ Damage code WNH9 066 000 2

Scope 4: Vehicles **with front steering wheel cover – color variant: saddle tan/black****Labor time:**Replace front cover on steering wheel Labor time: **60 TU**

Includes:

- Remove and install steering wheel
- Removing and installing rocker switches
- Removing and installing cover for rear steering wheel
- Removing and installing cover for front steering wheel

Parts required:

V04015001HP	Steering wheel cover, saddle tan/black	1 piece
and		
N 90799102	Countersunk screw with internal serration, M18 x 1.5 x 18	1 piece
⇒ Damage code WNH9 066 000 2		

Scope 5: Vehicles **with front steering wheel cover – color variant: marsala red/black**

Labor time:		
Replace front cover on steering wheel		Labor time: 60 TU
Includes:	Remove and install steering wheel	
	Removing and installing rocker switches	
	Removing and installing cover for rear steering wheel	
	Removing and installing cover for front steering wheel	
Parts required:		
V04015001HM	Cover on steering wheel in marsala red/black	1 piece
and		
N 90799102	Countersunk screw with internal serration, M18 x 1.5 x 18	1 piece
⇒ Damage code WNH9 066 000 2		

Scope 6: Vehicles **with front steering wheel cover – color variant: black/truffle brown**

Labor time:		
Replace front cover on steering wheel		Labor time: 60 TU
Includes:	Remove and install steering wheel	
	Removing and installing rocker switches	
	Removing and installing cover for rear steering wheel	
	Removing and installing cover for front steering wheel	
Parts required:		
V04015001HK	Cover on steering wheel in black/truffle brown	1 piece
and		

N 90799102	Countersunk screw with internal serration, M18 x 1.5 x 18	1 piece
------------	---	---------

⇒ Damage code WNH9 066 000 2

Scope 7:

Vehicles **with front steering wheel cover – color variant: cohiba brown/black**

Labor time:

Replace front cover on steering wheel Labor time: **60 TU**

Includes: Remove and install steering wheel
 Removing and installing rocker switches
 Removing and installing cover for rear steering wheel
 Removing and installing cover for front steering wheel

Parts required:

V04015001HL	Cover on steering wheel in cohiba brown/black	1 piece
-------------	---	---------

and

N 90799102	Countersunk screw with internal serration, M18 x 1.5 x 18	1 piece
------------	---	---------

⇒ Damage code WNH9 066 000 2

Scope 8:

Vehicles **with front steering wheel cover – color variant: black/black**

Labor time:

Replace front cover on steering wheel Labor time: **60 TU**

Includes: Remove and install steering wheel
 Removing and installing rocker switches
 Removing and installing cover for rear steering wheel
 Removing and installing cover for front steering wheel

Parts required:

971419732BIA6	Cover, black/black	1 piece
---------------	--------------------	---------

and

N 90799102	Countersunk screw with internal serration, M18 x 1.5 x 18	1 piece
------------	---	---------

⇒ Damage code WNH9 066 000 2

Scope 9: Vehicles **with front steering wheel cover – color variant: saddle tan/black**

Labor time:

Replace front cover on steering wheel Labor time: **60 TU**

Includes: Remove and install steering wheel
 Removing and installing rocker switches
 Removing and installing cover for rear steering wheel
 Removing and installing cover for front steering wheel

Parts required:

971419732BIY4	Cover, saddle tan/black	1 piece
	and	
N 90799102	Countersunk screw with internal serration, M18 x 1.5 x 18	1 piece

⇒ **Damage code WNH9 066 000 2**

Scope 10: Vehicles **with front steering wheel cover – color variant: marsala red/black**

Labor time:

Replace front cover on steering wheel Labor time: **60 TU**

Includes: Remove and install steering wheel
 Removing and installing rocker switches
 Removing and installing cover for rear steering wheel
 Removing and installing cover for front steering wheel

Parts required:

971419732BIS4	Cover, marsala red/black	1 piece
	and	
N 90799102	Countersunk screw with internal serration, M18 x 1.5 x 18	1 piece

⇒ **Damage code WNH9 066 000 2**

Important Notice: Technical Bulletins issued by Porsche Cars North America, Inc. are intended only for use by professional automotive technicians who have attended Porsche service training courses. They are written to inform those technicians of conditions that may occur on some Porsche vehicles, or to provide information that could assist in the proper servicing of a vehicle. Porsche special tools may be necessary in order to perform certain operations identified in these bulletins. Use of tools and procedures other than those Porsche recommends in these bulletins may be detrimental to the safe operation of your vehicle, and may endanger the people working on it. Properly trained Porsche technicians have the equipment, tools, safety instructions, and know-how to do the job properly and safely. Part numbers listed in these bulletins are for reference only. The work procedures updated electronically in the Porsche PIWIS diagnostic and testing device take precedence and, in the event of a discrepancy, the work procedures in the PIWIS Tester are the ones that must be followed.