

**Sport Plus Mode for PCM4**

Revision: This bulletin replaces bulletin Group 9 38/16, dated January 13, 2017

Model Year: **As of 2017 up to 2018**

Reason: **Retrofitting**

Restrictions: **ONLY** for vehicles with PCM4

**ONLY** for vehicles **WITHOUT** Compass / Sport Chrono clock (I-no. QR0) or **WITH** analog clock (QR3)



Figure 1

Notes: Activating the option “Sport Plus mode” using the Sport Plus button in the center console will enable the following functions, depending on vehicle equipment:

- Sporty tuning of Porsche Stability Management (PSM), Porsche Active Suspension Management (PASM), Porsche Traction Management (PTM) and shift programme.
- Launch Control racing start function<sup>1</sup> (Only with Porsche Double Clutch transmission (PDK)).

<sup>1</sup> Contrary to the description in the Driver’s Manual, the starting engine speed for the Launch Control racing start function can be lower. Please inform the customer about the different engine speed.

When Sport Plus mode is activated, the Porsche control systems are intentionally shifted towards greater agility and driving dynamics. (For more information, see Driver’s Manual).

The Sport and Sport Plus modes are displayed in the instrument cluster. When driving off with Launch Control, the message **Launch Control activated** is displayed on the on-board computer.

Important: **ONLY** for vehicles with analog clock (QR3):  
When coding is complete, **B** will be displayed instead of **A** in the main menu Vehicle ⇒ Settings ⇒ date & time in the multi-function display in the instrument cluster.

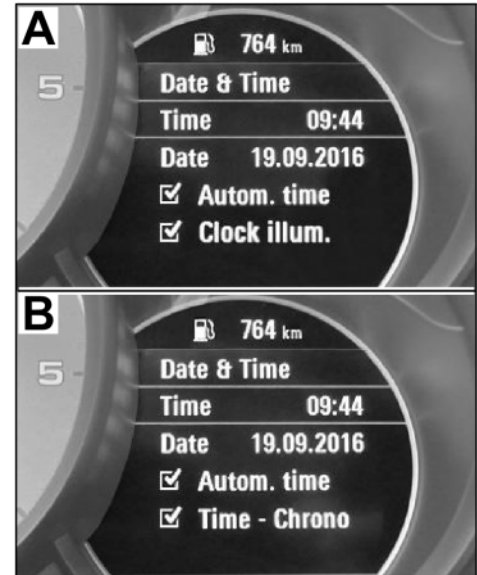
- A** – Clock illum.  
**B** – Time – Chrono

The clock lighting works when the Chrono time option is confirmed (tick appears).



#### Information

Please inform your customers about the change in the multi-function display.



*Multi-function display*

Parts Info: **95B.044.900.73** ⇒ Sport Plus mode

Also order the following according to vehicle equipment:

- 95B.907.041.P.DML** ⇒ Switch strip, suspension/damping: Standard (1BA) / (QR4/QR5)  
**95B.907.041.Q DML** ⇒ Switch strip, suspension/damping: Standard-2 (1BH = PASM) / (QR4/QR5)  
**95B.907.041.R DML** ⇒ Switch strip, air suspension with levelling system and height adjustment: (1BK = PASM) / QR4/QR5

Tool: **P90999 - P90999 - PIWIS Tester 4**

- Assembly: 1 Preparatory work
- 1.1 Connect battery charger. ⇒ *Workshop Manual '2X00IN Battery trickle charge'*
  - 1.2 Remove selector knob. ⇒ *Workshop Manual '370419 Removing and installing selector knob'*
  - 1.3 Remove upper part of center console cover. ⇒ *Workshop Manual '681919 Removing and installing upper part of centre console cover'*
  - 1.4 Remove switch console. ⇒ *Workshop Manual '962719 Removing and installing switch console'*

- 2 Replace standard switch strip (left).
  - 2.1 Remove switch strip.
    - 2.1.1 Unplug (⇒ *Figure 2*).
      - 1 - Electric plug
      - 2 - Screw
      - 3 - Switch strip (left)
    - 2.1.2 Remove screws (⇒ *Figure 2-2*).
    - 2.1.3 Remove left switch strip (⇒ *Figure 2-3*).
  - 2.2 Install new switch strip in reverse order.

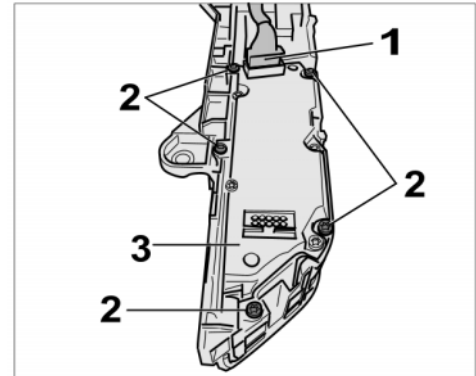


Figure 2

- 3 Concluding work.
  - 3.1 Install switch console. ⇒ *Workshop Manual '962719 Removing and installing switch console'*
  - 3.2 Install upper part of center console cover. ⇒ *Workshop Manual '681919 Removing and installing upper part of centre console cover'*
  - 3.3 Install selector knob. ⇒ *Workshop Manual '370419 Removing and installing selector knob'*

- Coding:
- 4 Coding Sport Plus mode
    - 4.1 Enable Sport Plus mode

**NOTICE**

**Voltage drop**

- Risk of irreparable damage to control unit
  - Risk of damage to control unit
  - Fault entries in the control unit
  - Coding in the control unit is aborted
  - Malfunctions in control unit, even during programming
- ⇒ Switch off the ignition and remove the ignition key before disconnecting the control unit.
- ⇒ Ensure that the power supply is not interrupted during programming.
- ⇒ Connect a battery charger with a current rating of at least Nominal value 90 A to the vehicle battery.

- 4.1.1 Connect **P90999 - P90999 - PIWIS Tester 4**, switch on ignition.

**Information**

The **9900 - PIWIS Tester III/ IV** instructions take precedence since the description may be different with later Tester releases.

The procedure described here has been structured in general terms; different text or additions may appear on the **9900 - PIWIS Tester III/ IV**.

- 4.1.2 Select Diagnostics. **P90999 - P90999 - PIWIS Tester 4** detects the model range.  
Press "Next". PIWIS Tester III Diagnostics starts.
- 4.1.3 Select Additional menu by pressing •F7". The question "Create vehicle analysis log (VAL)?" appears. Press •F11" to confirm.
- 4.1.4 Select "Function enable". Press •F12" to continue.

**Information**

PIWIS Tester must be connected to the Porsche Partner Network (PPN) via WLAN or data cable!

- 4.1.5 Enter PPN user name. Touch PPN password input field and enter "password".  
Press •Enter" .
- 4.1.6 Select "Enable". Press •F12" to continue.
- 4.1.7 Touch licence number input field and enter licence number. Press •F12" to continue.
- 4.1.8 Confirm "Sport Chrono" function by pressing •F12" .  
Wait until "Functions have been enabled successfully." appears.
- 4.1.9 Press •F12" to go to the "Overview" menu.

Select "Display enabled functions". Press •F12" to continue.

Wait until a table containing the enabled functions appears, e.g.:

Control unit	Function	Status
PCM4 (001)	Sport Chrono	✓
	Voice control	✓
	UAS	✓
	Online services	✓
	Bluetooth	✓

Press •F12" to continue. Press •F11" to return to the Overview menu.

- 4.2 Adapt coding.

- 4.2.1 Select all control units with •Ctrl A“ . Press •F12“ to continue.
- 4.2.2 Switch to the “Coding adaptations” menu. Press •F12“ to continue.
- 4.2.3 Select “Automatic coding” mode. Press •F12“ to continue.
- 4.2.4 Wait until “Coding has been completed successfully” appears. Press •F12“ to continue.
- 4.2.5 Switch to the “Overview” menu.
- 4.3 Read out the fault memory of all systems, work through any existing faults, and erase the fault memory. ⇒ *Workshop Manual '033500 On-board diagnosis error memory'*
- 4.4 Switch off ignition and disconnect **P90999 - P90999 - PIWIS Tester 4**.
- 4.5 Disconnect battery charger. ⇒ *Workshop Manual '2X00IN Battery trickle charge'*

96 27 31 43: –Sport Plus mode (1 x) for PCM4 retrofitted–

Labor time: **91 TU**

- Includes: Convert switch console;  
Coding Sport Plus mode;;  
Read out error memory, remedy and erase errors.
- Without: Test drive

**Important Notice:** Technical Bulletins issued by Porsche Cars North America, Inc. are intended only for use by professional automotive technicians who have attended Porsche service training courses. They are written to inform those technicians of conditions that may occur on some Porsche vehicles, or to provide information that could assist in the proper servicing of a vehicle. Porsche special tools may be necessary in order to perform certain operations identified in these bulletins. Use of tools and procedures other than those Porsche recommends in these bulletins may be detrimental to the safe operation of your vehicle, and may endanger the people working on it. Properly trained Porsche technicians have the equipment, tools, safety instructions, and know-how to do the job properly and safely. Part numbers listed in these bulletins are for reference only. The work procedures updated electronically in the Porsche PIWIS diagnostic and testing device take precedence and, in the event of a discrepancy, the work procedures in the PIWIS Tester are the ones that must be followed.

© 2023 Porsche Cars North America, Inc.