

Power Transmission Symptom - 7th Gear cannot be Engaged: Checking Locking Piece (SY 27/23)

Model Line: **911 (991)**

Model Year: **As of 2017**

Equipment: **7-speed manual transmission (I-no. 487)**

Concerns: **Lock**

Symptom: Customers complain that 7th gear cannot be engaged.



Information

The 7th gear can only be engaged if the 5th or 6th gear had been engaged.

Cause: The locking piece may be jammed by metal particles.

Remedial Action: In the event of a customer complaint, check the locking piece and replace it if necessary.

Required tools

- Tools:
- Disassembly tool, e.g. **VAS 6933 - disassembly tool**
 - Torque wrench, 2-10 Nm (1.5-7.5 ftlb.), e.g. **V.A.G 1783 - torque wrench, 2-10 Nm (1.5-7.5 ftlb.)**
 - Torque wrench, 6-50 Nm (4.5-37 ftlb.) e.g. **V.A.G 1331A - torque wrench, 6-50 Nm (4.5-37 ftlb.)**
 - Torque wrench, 40-200 Nm (30-148 ftlb.) e.g. **V.A.G 1332A - torque wrench, 40-200 Nm (30-148 ftlb.)**
 - Engine and gearbox jack, e.g. **VAS 6931 - engine and gearbox jack**

Required parts (as needed)

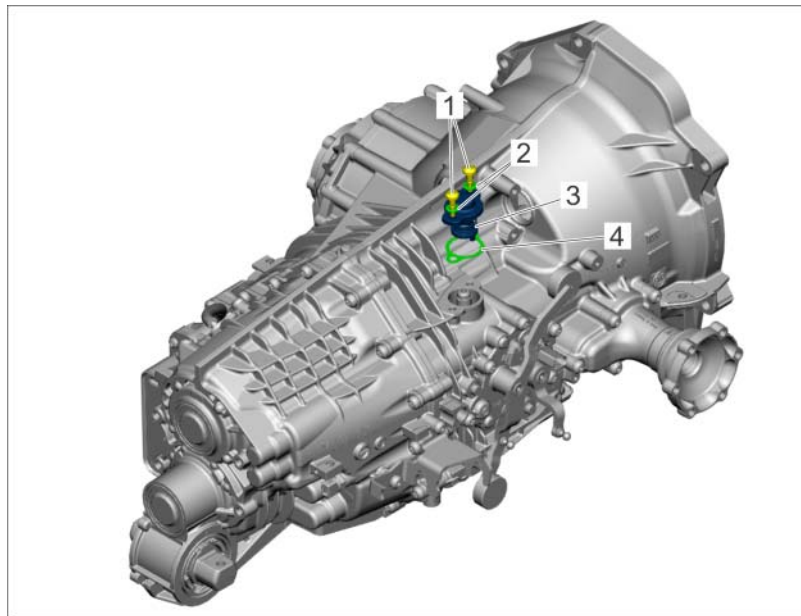
Parts Info:	Part No.	Designation – Point of use	Quantity
	99130310300	⇒ Lock	1 piece
	99130380200	⇒ Seal – Locking piece	1 piece

99130380400	⇒ Fitting screw with sealing washer - Locking piece	2 pieces
99907284101	⇒ M10 x 50 combination screw - Transmission support on body	2 pieces
99907605301	⇒ M10 hexagon nut - Transmission support on body	2 pieces

Work Procedure

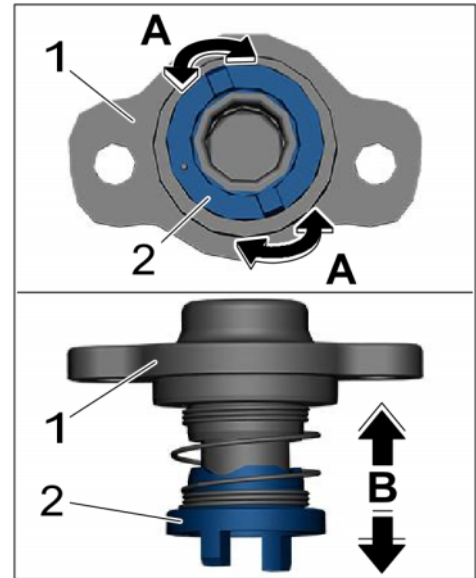
Work Procedure: 1 Remove locking piece ⇒ *Lock -3-*.

⇒ *Workshop Manual '353019 Removing and installing locking piece'*



Lock

- 2 Check locking piece ⇒ *Checking locking piece -1-*.
 - 2.1 Check by hand whether the locking sleeve ⇒ *Checking locking piece -2-* can be rotated ⇒ *Checking locking piece -Arrow A-* and moved axially ⇒ *Checking locking piece -Arrow B-*.



Checking locking piece

Assessment		Action
(✓)	Locking sleeve can be rotated and moved axially.	<p>Locking piece OK Install locking piece and continue diagnosis by other means. ⇒ <i>Workshop Manual '353019 Removing and installing locking piece'</i></p>
(✗)	Locking sleeve cannot be rotated and / or moved axially.	<p>Locking piece defective Install new locking piece. ⇒ <i>Workshop Manual '353019 Removing and installing locking piece'</i></p>

Working position and PCSS encryption

Labor position:

APOS	Labor operation	I No.
35301948	Removing and installing locking piece	

PCSS encryption:

Location (FES5)	35300	Locking piece
Damage type (SA4)	1127	does not shift

Important Notice: Technical Bulletins issued by Porsche Cars North America, Inc. are intended only for use by professional automotive technicians who have attended Porsche service training courses. They are written to inform those technicians of conditions that may occur on some Porsche vehicles, or to provide information that could assist in the proper servicing of a vehicle. Porsche special tools may be necessary in order to perform certain operations identified in these bulletins. Use of tools and procedures other than those Porsche recommends in these bulletins may be detrimental to the safe operation of your vehicle, and may endanger the people working on it. Properly trained Porsche technicians have the equipment, tools, safety instructions, and know-how to do the job properly and safely. Part numbers listed in these bulletins are for reference only. The work procedures updated electronically in the Porsche PIWIS diagnostic and testing device take precedence and, in the event of a discrepancy, the work procedures in the PIWIS Tester are the ones that must be followed.

© 2023 Porsche Cars North America, Inc.