


Title:	Rung Cover Adhesive			
Number:	SB_628	Release Date:	5/2/2023	
Revision Number:	Not Applicable	Revision Date:	Not Applicable	
Chassis Type:	All Aerials			
Component Description:	Not Applicable			
Warranty:	Not Applicable			
Parts:	SikaFlex®-252 Adhesive,			
Tools:	Not Applicable			

Subject:

Proper application of ladder rung covers with adhesives to ensure binding to ladder rungs.

Purpose/Background:

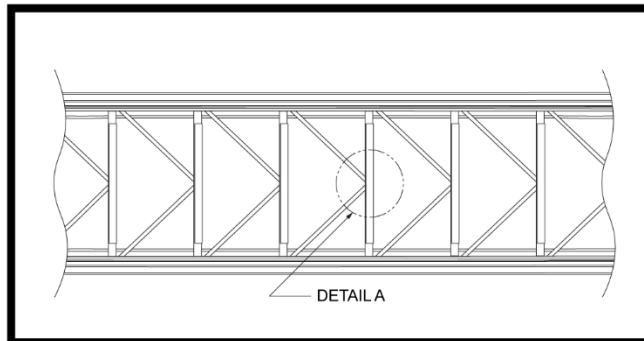
SikaFlex®-252 is an acceptable alternative for Bostik 70-03A Adhesive (P/N 95-3508) with Part B hardener (P/N 95-3507), applied with tip P/N 95-3510. Any appropriate delivery device (commonly referred to as a “caulk gun”) should work with SikaFlex®-252.

Description/Procedure:

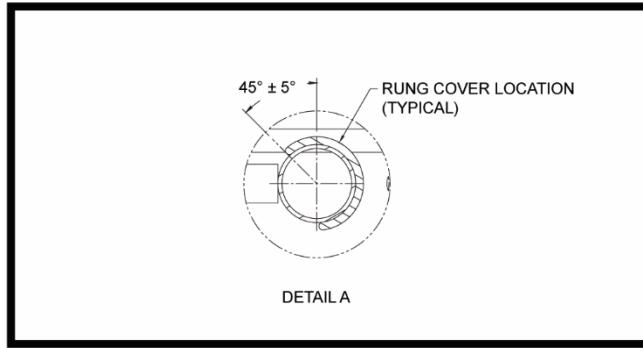


1. Use infrared thermometer gun to verify that the ladder rungs are between 41°F to 95°F (5°C to 35°C).

NOTE: Adhesive will not bond correctly if ladder rungs are not between 41°F to 95°F (5°C to 35°C).



SERVICE BULLETIN #SB_628



2. Refer to ladder assembly drawing for run cover locations and addition installation information.



3. Load Sikaflex-252 (P/N 95-0772) into delivery device.



4. Place a ¼" (0.635 cm) wide bead of adhesive 1 ½" (3.81 cm) from each end of the ladder rung cover.
5. If ladder rung cover is 24" or more in length, then place an additional 2" (5.08 cm) of adhesive in the center of the ladder rung cover.
6. Use a rubber mallet or dead-blow hammer to ensure rung cover is installed tightly on the ladder rung.
7. Do not walk on ladder for 24 hours to allow adhesive to dry.

If any additional support is needed, please open a technical support incident on Pierceparts.com.