

AWNINGS

Purpose

This document outlines the Solera® Slide Topper Tension Adjustment.

Safety

WARNING

Failure to follow the instructions provided in this manual may result in death, serious injury, unit damage or voiding of the component warranty.

WARNING

Always wear eye protection when performing service or maintenance to the unit. Other safety equipment to consider would be hearing protection, gloves and possibly a full face shield, depending on the nature of the service.

WARNING

Always make sure that the slide-out room path is clear of people and objects before and during operation of the slide-out. Always keep away from the gear racks when the room is being operated.

WARNING

Do not work on your slide-out system unless the battery is disconnected. Failure to act in accordance with the following may result in death or serious personal injury.

CAUTION

The “CAUTION” symbol above is a sign that a safety risk is involved and may cause personal injury and/or product or property damage if not safely adhered to and within the parameters set forth in this manual.

CAUTION

Moving parts can pinch, crush or cut. Keep clear and use caution.

Resources Required

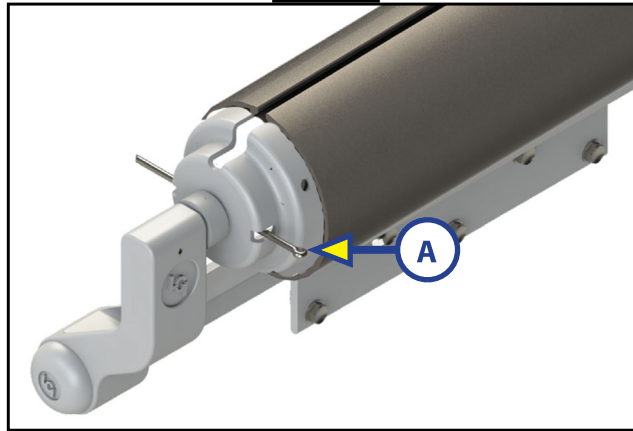
- 2 to 3 people, depending on task
- 2 Ladders
- Tape measure
- Cordless or electric drill
- Appropriate drive bits
- 2 Cotter pins
- Non-permanent marker
- Phillips head screwdriver

AWNINGS

Adjusting Tension

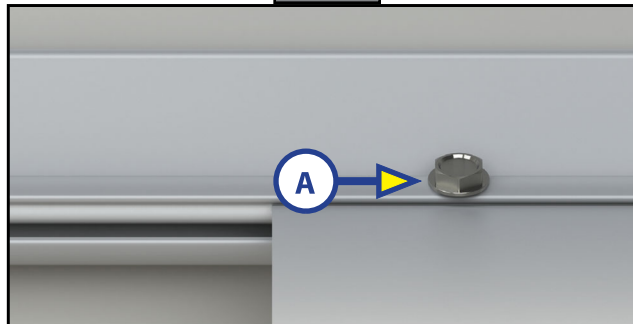
1. Run room to open 6" - 8", install cotter pins (Fig. 1A) on both ends to release tension on one end at a time.

Fig. 1



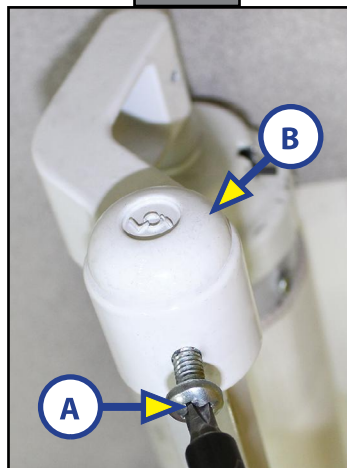
NOTE: This may require slightly turning the roll tube by hand.

Fig. 2



2. Remove fabric screws (Fig. 2A).
3. Remove the #3 Phillips head screws (Fig. 3A) at each end of the Solera® Slider Awning that secure the spring head assembly torsion arm to the hex extension rod.
4. Remove the mushroom-shaped end cap (Fig.3B) from each side.

Fig. 3

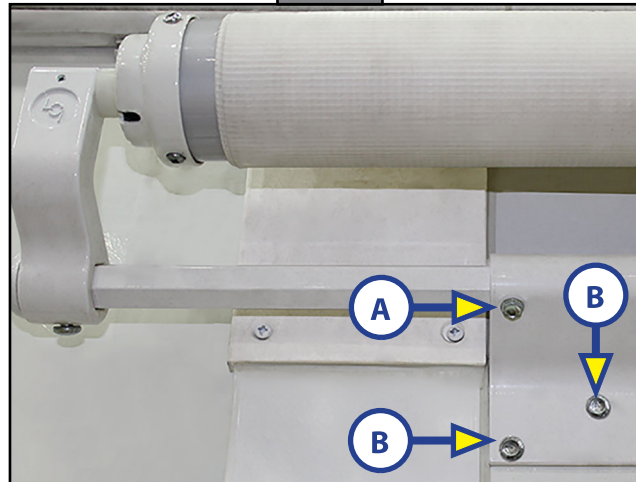


AWNINGS

5. Remove the hex rod screw (Fig. 4A) that holds the hex rod in place.
6. Then remove the two screws (Fig. 4B) that mount the wall plate to the wall.

DRAWN TO PRINT DISCRESS

Fig. 4



7. With one person holding the roll tube (Fig. 5), another person can slide the hex bar (Fig. 5) out of the wall plate (Fig. 5) and it will extend out of the outer side of the tension arm (Fig. 5).
8. With a firm grip on the hex rod, remove the cotter pin (Fig. 1A) of the end you're working on. Slowly release the tension.
9. Reapply tension until there is 14 winds and reinstall cotter pin.
10. Slide the hex bar back through the tension arm and into the wall plate.
11. Install the Phillips head screw through tension arm and hex bar.
12. Repeat steps 2 through 9 at the other end.
13. Once both ends are complete, you can secure the hex bar to the wall plate and remove all the cotter pins.

Fig. 5

