

**DIAGNOSTIC SHEET**

FROM: Maserati TSO

TO: Maserati Network



**Maserati**

PERSONAL SERVICE LAB

MASTERS OF CARE

# MC20 Front Frame Cross Member Noise

DATE: JUNE 2 2023

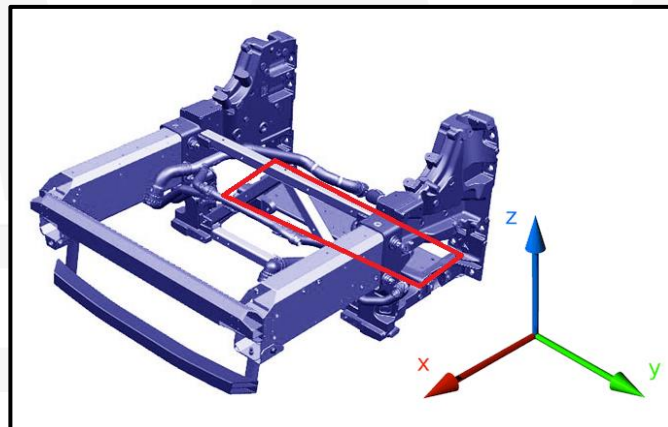
The purpose of this document is to inform the network about the management of complaints of creaking noise coming from the front area of the car during maneuvering.

Please refer to the examples shown in the videos attached to this technical information, on Modis.

**MODEL:** MC20 (M249) All MY

**SECTION:** 09.07 - 1 FRONT CHASSIS

**SUBJECT:** Creaking noise coming from the cross member of the front frame when maneuvering.



In case of noise like that shown in the attached videos, it is recommended to lift the car on the hoist and apply commercially available long-life spray grease (such as Würth HHS 2000) in the points shown below. The grease must be applied evenly, at the riveted joints, along the mating surface (see yellow rectangles).



Once the operation is finished, clean off any excess grease and carry out a functional test.