

## 12 VOLT LEAD ACID BATTERY DIAGNOSIS AND RENEWAL

### Customer Voice:

- Battery low warning displayed on instrument cluster and/or no-start.

### Technical Description:

- Investigations are ongoing, however batteries replaced to date have shown no fault found.

### Status:

- Complete the required 12V Battery Test application on TOPIx.
- Make sure to have at least one test with battery disconnected.
- Retailers must adhere to the below:
- Any removed OEM batteries must have the repair order, VIN, mileage, Midtronics test code and the date for which the battery was removed written on the battery with a permanent paint marker.

Refer to SSM 75977 / SSM75978

### Range Rover

- 17-24MY Range Rover
- 17-24MY Range Rover Sport
- 17-24MY Evoque
- 17-24MY Velar

### Defender

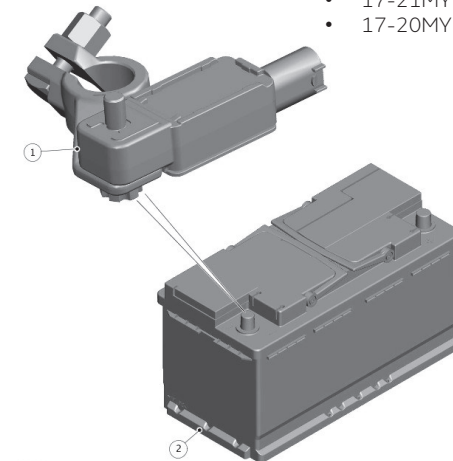
- 20-23MY Defender

### Discovery

- 17-24MY Discovery
- 17-24MY Discovery Sport

### Jaguar

- 17-24MY I-PACE
- 17-24MY E-PACE
- 17-24MY F-PACE
- 17-24MY XF
- 17-21MY XE
- 17-20MY XJ



E200068