



# Technical Service Bulletin

SUBJECT: <b>TRANSAXLE ASSEMBLY REMOVAL AND INSTALLATION ROLL STOPPER BRACKET- SERVICE MANUAL REVISION</b>		No: <b>TSB-23-22-001</b>	
		DATE: <b>July 2023</b>	
		MODEL: <b>See below</b>	
CIRCULATE TO:	<input type="checkbox"/> GENERAL MANAGER	<input checked="" type="checkbox"/> PARTS MANAGER	<input checked="" type="checkbox"/> TECHNICIAN
<input checked="" type="checkbox"/> SERVICE ADVISOR	<input checked="" type="checkbox"/> SERVICE MANAGER	<input checked="" type="checkbox"/> WARRANTY PROCESSOR	<input type="checkbox"/> SALES MANAGER

## PURPOSE

This TSB provides additional description information for the Roll Stopper Bracket (rear/front) for vehicles equipped with TC-SST and affects the following Service Manual section:

- Twin Clutch - Sportronic Shift Transmission (TC-SST), Transaxle Assembly Removal and Installation

## AFFECTED VEHICLES

2009-2015 Lancer and Lancer Sportback  
2008-2013 and 2015 Lancer Evolution

## AFFECTED SERVICE MANUAL

- 2009-2015 Lancer and Lancer Sportback Service Manual
- 2008-2013 and 2015 Lancer Evolution Service Manual

## PROCEDURE

Please use the following chart as a guide to replace the indicated pages in the affected Service Manuals, Group 22, Twin Clutch - Sportronic Shift Transmission (TC-SST), Transaxle Assembly Removal and Installation.



Copyright 2023, Mitsubishi Motors North America, Inc.

The information contained in this bulletin is subject to change. For the latest version of this document, go to the Mitsubishi Dealer Link, MEDIC, or the Mitsubishi Service Information website ([www.mitsubishitechinfo.com](http://www.mitsubishitechinfo.com)).

**LANCER / LANCER SPORTBACK / LANCER EVOLUTION**

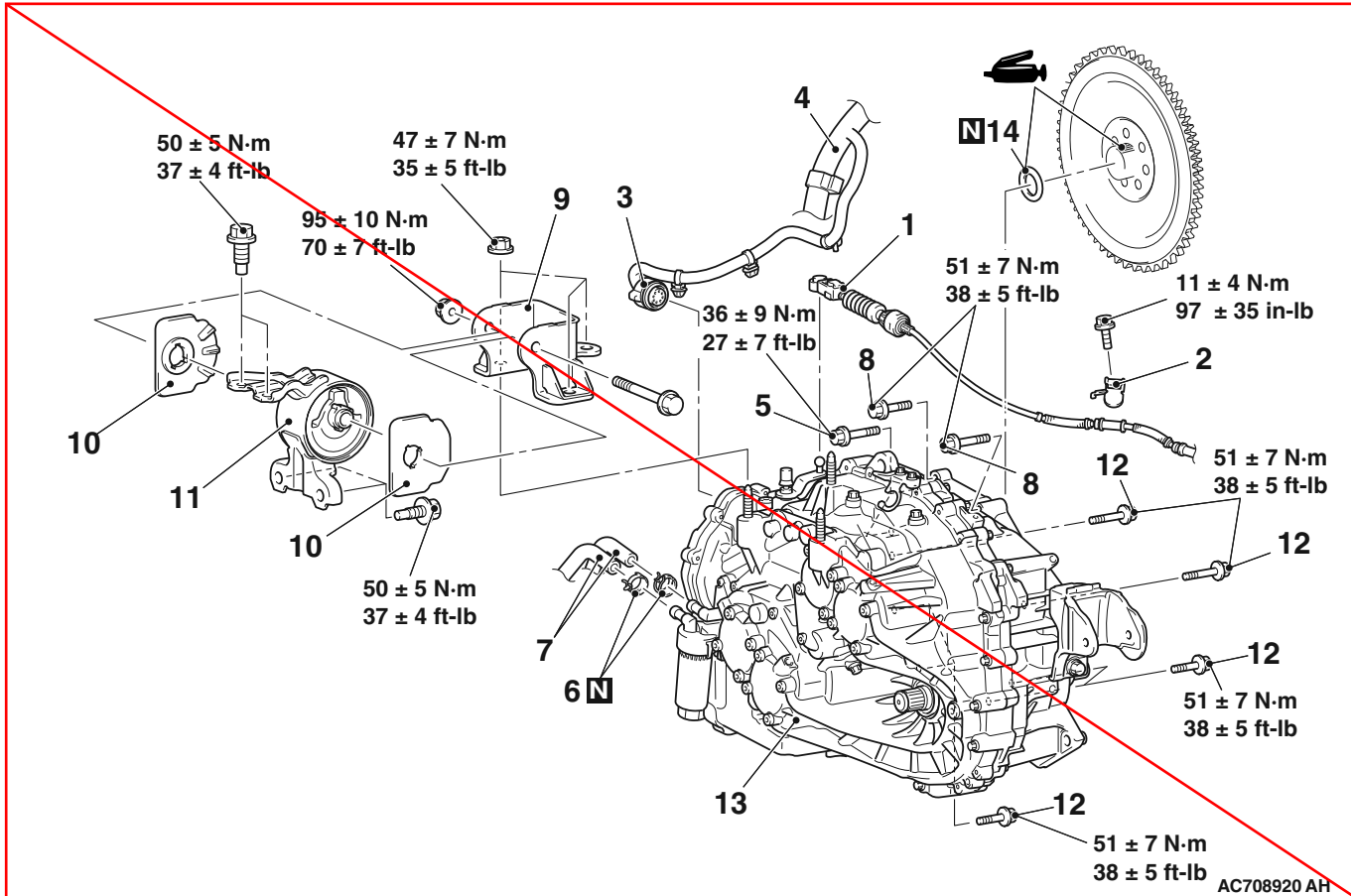
<b>Applicable manual</b>	<b>Pub. No.</b>	<b>Applicable title (INFO-ID/SIE No.)</b>	<b>Contents</b>
2009 LANCER Service Manual	MSCD-106B-2009	TWIN CLUTCH- SPORTTRONIC SHIFT TRANSMISSION (TC-SST) └ TRANSAXLE ASSEMBLY REMOVAL AND INSTALLATION	Attached Sheet 3
2009 LANCER SPORTBACK Service Manual	MSCD-014B-2009		
2010 LANCER Service Manual	MSCD-106B-2010		
2010 LANCER SPORTBACK Service Manual	MSCD-014B-2010		
2011 LANCER/ LANCER SPORTBACK Service Manual	MSCD-106B-2011		
2012 LANCER/ LANCER SPORTBACK Service Manual	MSCD-106B-2012		
2013 LANCER/ LANCER SPORTBACK Service Manual	MSCD-106B-2013		
2014 LANCER/ LANCER SPORTBACK Service Manual	MSCD-106B-2014		
2015 LANCER/ LANCER SPORTBACK Service Manual	MSCD-106B-2015		
2008 LANCER EVOLUTION Service Manual	MSCD-206B-2008		
2009 LANCER EVOLUTION Service Manual	MSCD-206B-2009		
2010 LANCER EVOLUTION Service Manual	MSCD-206B-2010		
2011 LANCER EVOLUTION Service Manual	MSCD-206B-2011		
2012 LANCER12VOLUTION Service Manual	MSCD-206B-2012		
2013 LANCER EVOLUTION Service Manual	MSCD-206B-2013		
2015 LANCER EVOLUTION Service Manual	MSCD-206B-2015		

TWIN CLUTCH- SPORTRONIC SHIFT TRANSMISSION (TC-SST)  
TRANSAXLE ASSEMBLY

TRANSAXLE ASSEMBLY

REMOVAL AND INSTALLATION

<Incorrect>



AC708920 AH

<<A>>

Attached sheet 3 (2/2)

<Correct>

Removal steps

- Strut tower bar (Refer to GROUP 42A – Strut Tower Bar P.42A-15.)
  - Front driveshaft assembly, output shaft assembly (Refer to GROUP 26 – Driveshaft Assembly P.26-15.)
1. Transaxle control cable connection
  2. Transaxle control cable bracket
  3. Transaxle assembly connector connection
  4. Control wiring harness connection
  5. Starter mounting bolt
  6. Hose clip

>>C<<

<<B>>

<<C>>

<<D>>

<<E>>

<<F>>

>>B<<

>>A<<

>>A<<

Removal steps (Continued)

7. Oil cooler hose assembly connection
- Front axle crossmember assembly (Refer to GROUP 32 – Crossmember P.32-10.)
- Transfer assembly (Refer to P.22A-128.)
8. Transaxle assembly upper part coupling bolt
9. Transaxle mounting bracket
10. Transaxle mounting insulator stopper
11. Transaxle mounting insulator
- Engine assembly support
12. Transaxle assembly lower part coupling bolt
13. Transaxle assembly
14. O-ring

7-1. Rear roll stopper bracket  
7-2. Front roll stopper bracket

<Added>

