



Technical Service Bulletin

SUBJECT:			NO: TSB-23-34-002
REAR SHOCK ABSORBER REMOVAL AND INSTALLATION – SERVICE MANUAL REVISION			DATE: August 2023
			MODEL: See below
CIRCULATE TO:	<input type="checkbox"/> GENERAL MANAGER	<input checked="" type="checkbox"/> PARTS MANAGER	<input checked="" type="checkbox"/> TECHNICIAN
<input checked="" type="checkbox"/> SERVICE ADVISOR	<input checked="" type="checkbox"/> SERVICE MANAGER	<input checked="" type="checkbox"/> WARRANTY PROCESSOR	<input type="checkbox"/> SALES MANAGER

PURPOSE

This TSB provides the addition and correction to the removal and installation of the Rear Shock Absorber in the applicable Service Manual sections:

- Suspension

AFFECTED VEHICLES

2022 - 2024 Outlander

2023 - 2024 Outlander Plug-in Hybrid

AFFECTED SERVICE MANUAL

- 2022 - 2024 Outlander Service Manual
- 2023 - 2024 Outlander Plug-in Hybrid Service Manual

PROCEDURE

Please use the following chart as a guide to replace the indicated pages in the affected Service Manuals, Group 34, Suspension, Rear Suspension, Removal and Installation, Rear Shock Absorber, Exploded View.

Applicable Manual	Pub. No.	Applicable Title	Contents
2022 OUTLANDER Service Manual	MSCD-030B-2022 (Volume 3)	SUSPENSION └ REAR SUSPENSION └ REMOVAL AND INSTALLATION └ REAR SHOCK ABSORBER └ Exploded View	Attached sheet 3
2023 OUTLANDER Service Manual	MSCD-030B-2023 (Volume 2)		
2024 OUTLANDER Service Manual	MSCD-030B-2024 (Volume 2)		
2023 OUTLANDER (PHEV) Service Manual	<MMNA> MSCD-027B-2023		Attached sheet 2
2024 OUTLANDER (PHEV) Service Manual	<MMNA> MSCD-027B-2024		



Copyright 2023, Mitsubishi Motors North America, Inc.

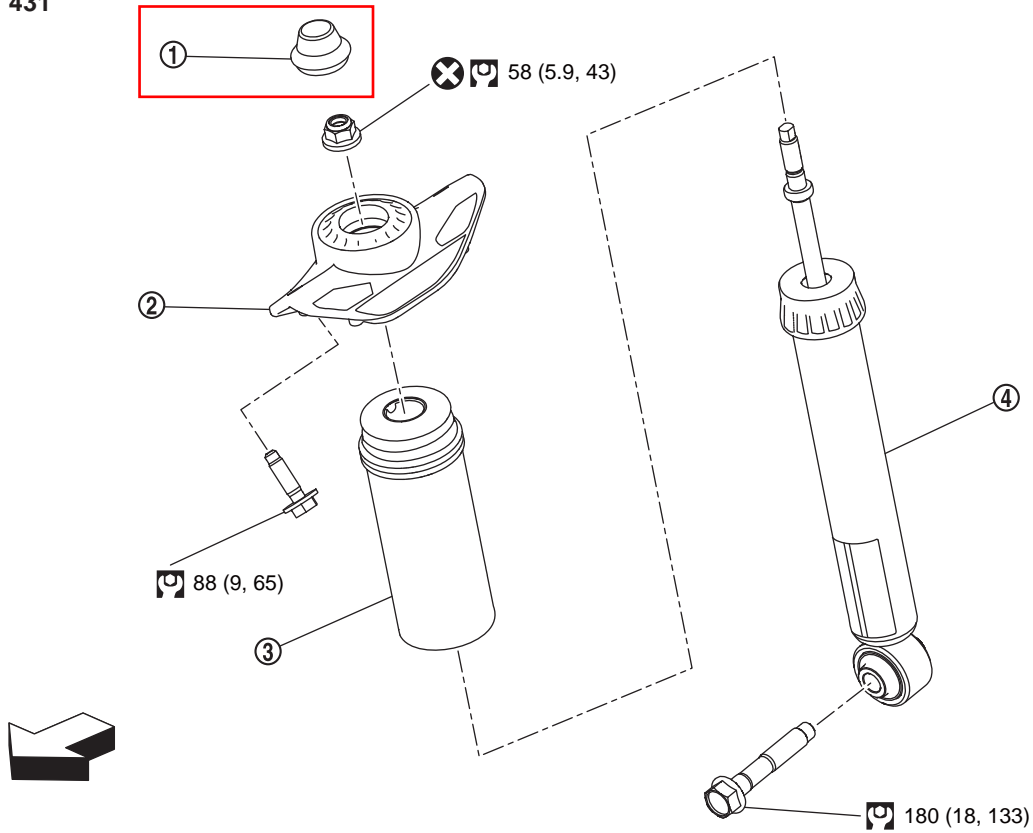
The information contained in this bulletin is subject to change. For the latest version of this document, go to the Mitsubishi Dealer Link, MEDIC, or the Mitsubishi Service Information website (www.mitsubishitechinfo.com).

REMOVAL AND INSTALLATION
REAR SHOCK ABSORBER

Exploded View

SEC. 431

<Added>



<Added>

DF100AHQAF00USA

①	Rear shock absorber cap <From early June, 2023>	②	Shock absorber mounting bracket	③	Bound bumper
④	Shock absorber				
←	: Vehicle front				
⊙	: N·m (kg·m, ft·lb)				
⊗	: Always replace after every disassembly.				

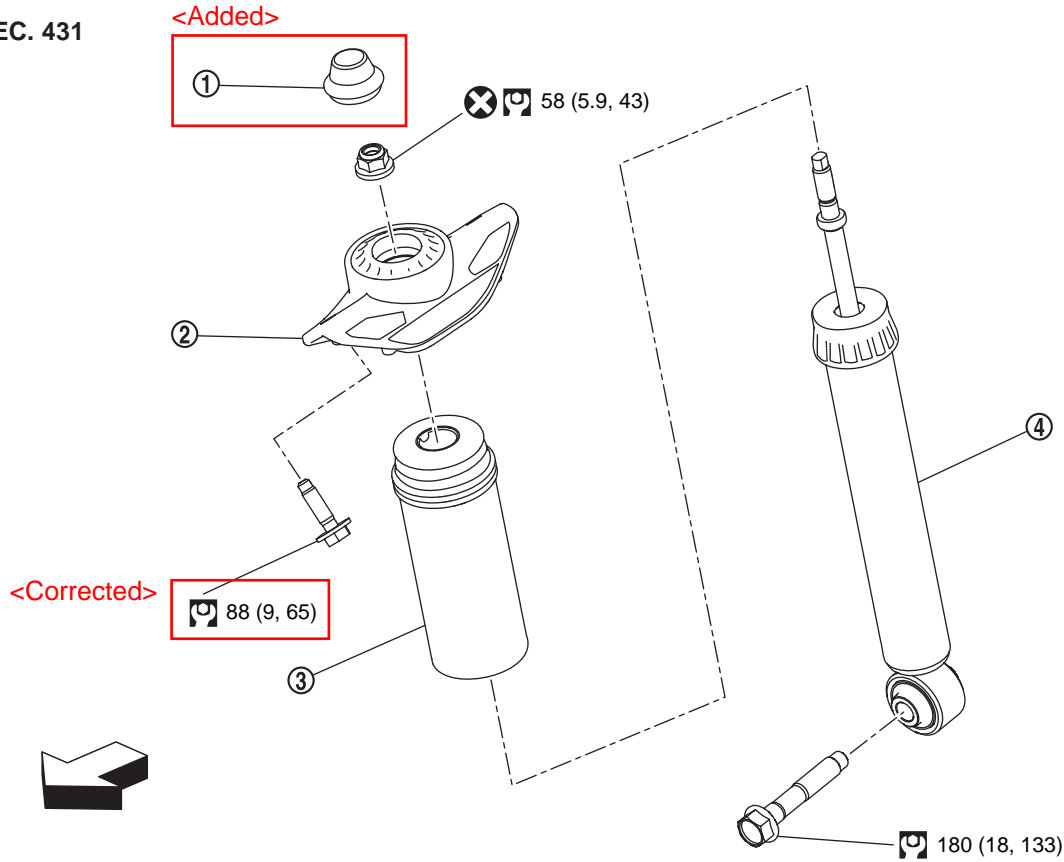
CAUTION:

Install the shock absorber so that its label is at the vehicle front.

REMOVAL AND INSTALLATION
REAR SHOCK ABSORBER

Exploded View

SEC. 431



<Added>

①	Rear shock absorber cap <From early June, 2023>	②	Shock absorber mounting bracket	③	Bound bumper
④	Shock absorber				
←	: Vehicle front				
⊗	: N·m (kg·m, ft·lb)				
⊗	: Always replace after every disassembly.				