

# M-141-001

(August 2023)

## Valid for

All Conventional Mack Trucks

## Case description

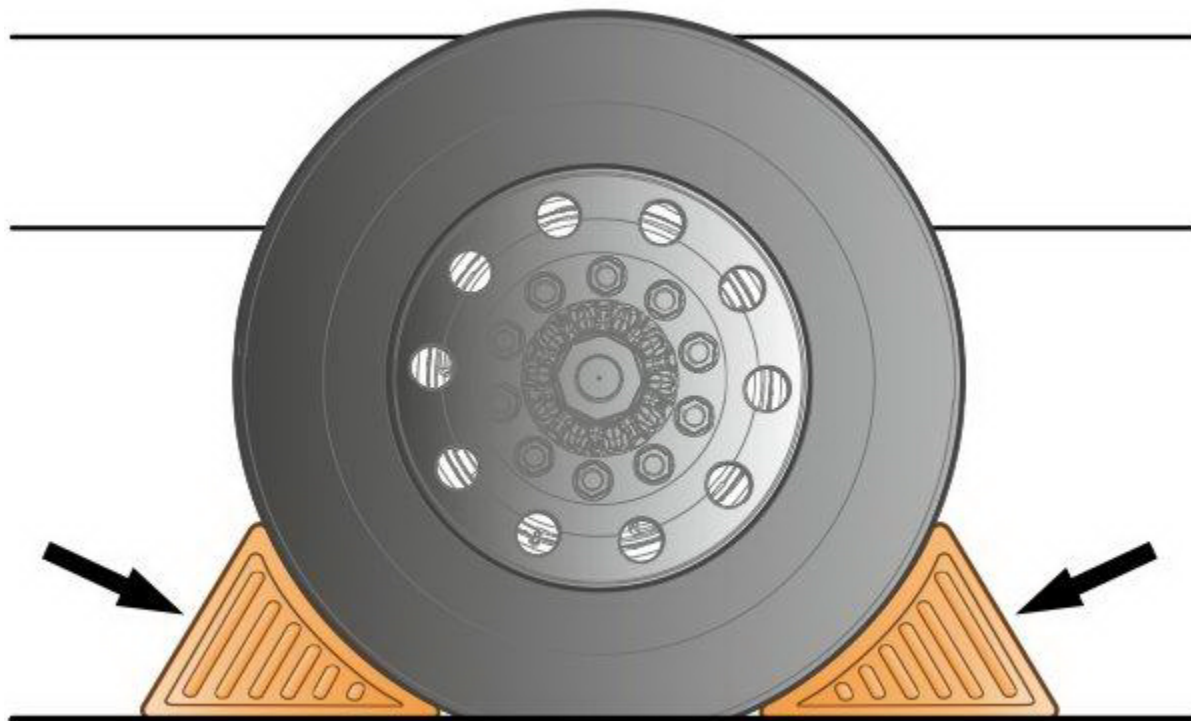
Certain Mack CHU, CXU, GU, TD, GR, AN, and PI model trucks may experience damage to the air restrictor indicator fittings when closing the hood. The following information outlines the change to the fittings to reduce its height and avoid interference with the hood.

## Parts

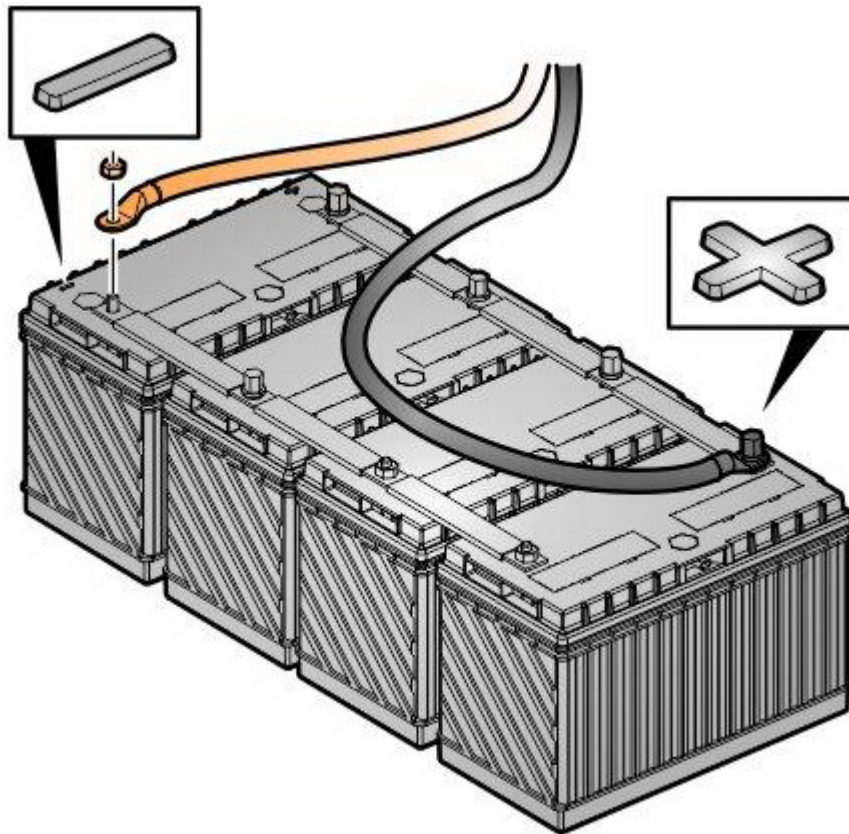
Part Number	Description	Quantity
20704623	Fitting	As Needed

## Repair Procedure

1. Park the vehicle on a level surface.
2. Apply the parking brake.
3. Place the gear selector in neutral.
4. Install the wheel chocks.



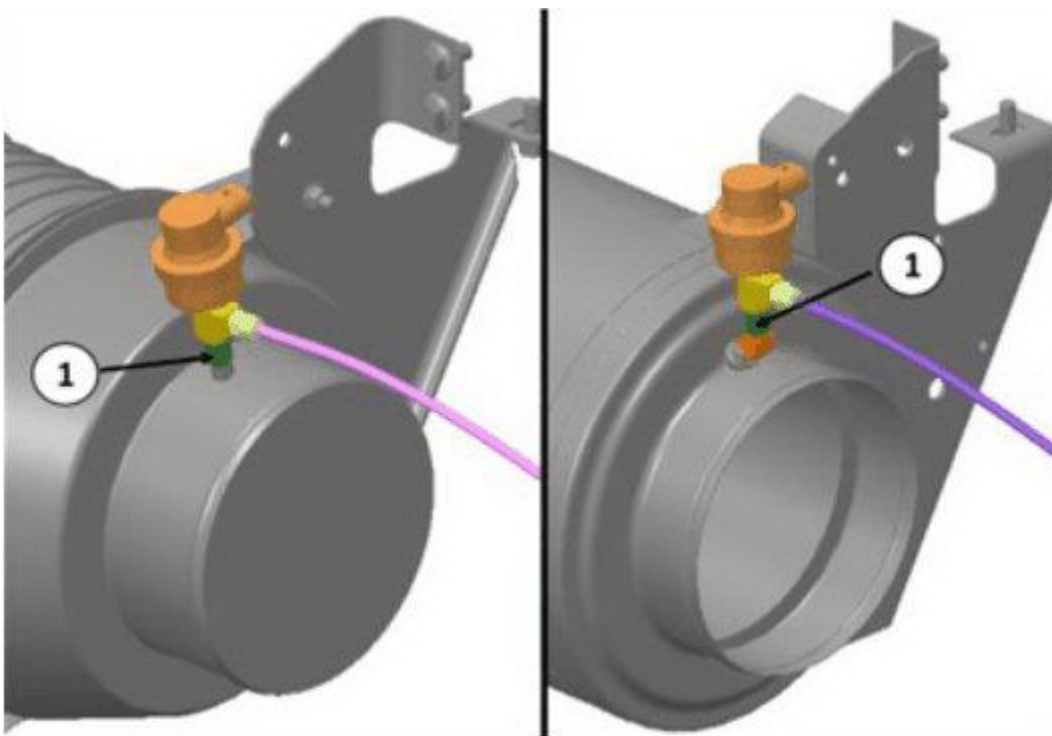
5. Disconnect the cable from the negative terminal.



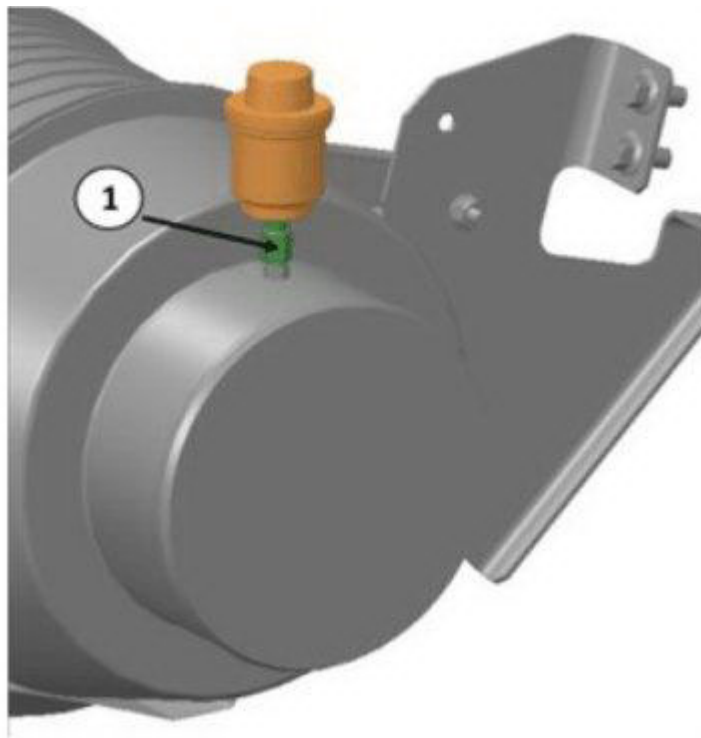
6. Unlatch and raise the hood.

7. Verify which filter minder the truck has using images below:

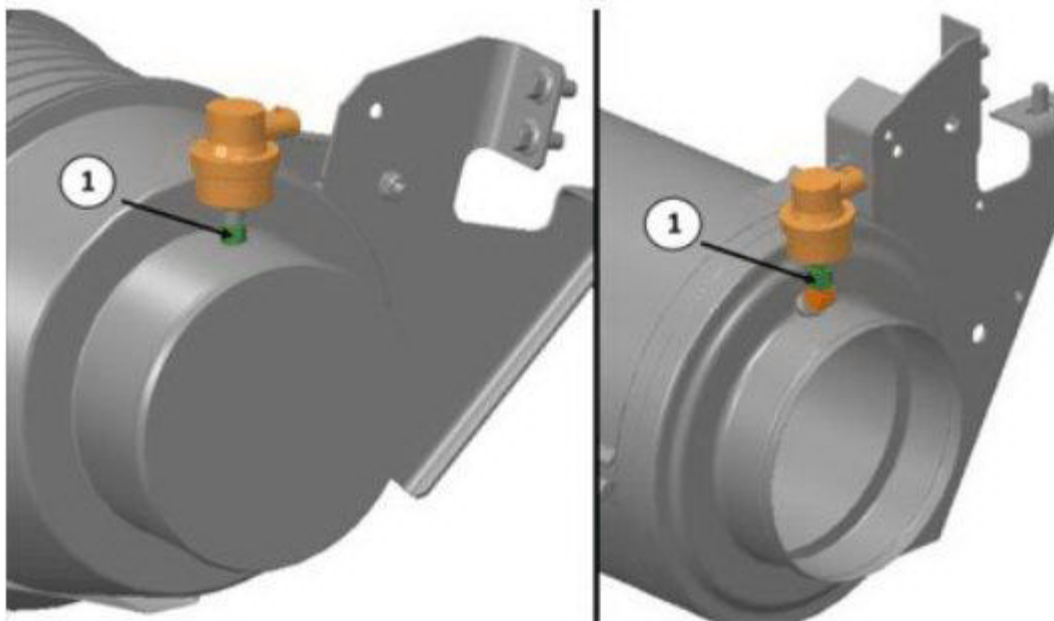
a. Applications using electric filter minder with mechanical dash gauge with a steel or plastic air filter housing, remove and discard green fitting labeled(1) in the image below.



b. Applications using mechanical filter minder with a plastic air filter housing, remove and discard green fitting labeled (1) in the image below.

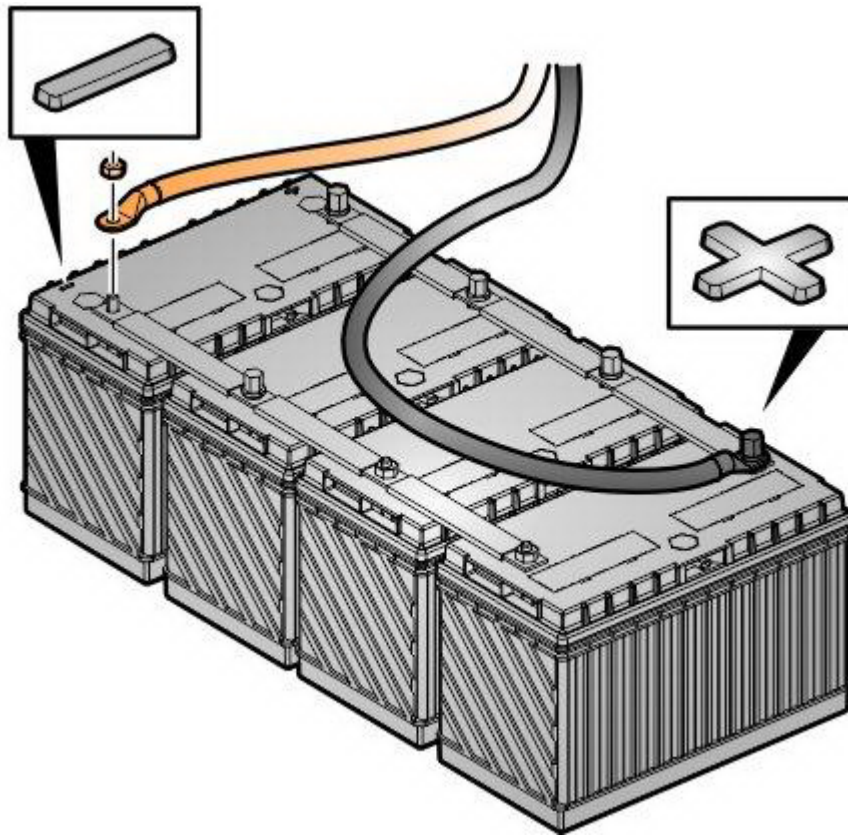


c. Applications without an air restriction indicator with a steel or plastic air filter housing, replace part number: 25091003 indicated in green **(1)** with new shorter fitting, part number: 20704623.

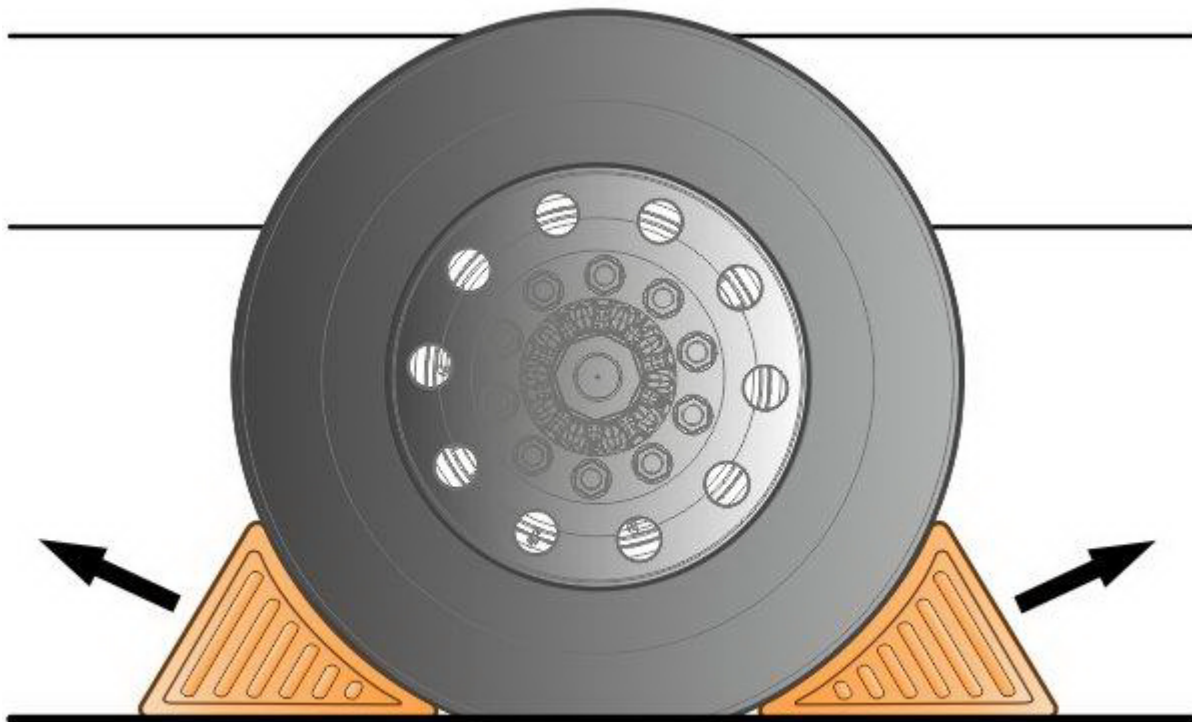


8. Lower the hood

9. Connect the cable to the negative terminal.



10. Remove wheel chocks.



## Warranty information

Reimbursement

<p>This repair may be eligible for reimbursement if a product failure was experienced within time and mileage limits of the applicable Warranty coverage. Reimbursement is obtained via the normal claim handling process.</p>	<p><b>UCHP</b> <b>Reimbursement</b></p>
<p><b>Claim Type (used only when uploading from the Dealer Bus. Sys.)</b></p>	<p>W</p>
<p><b>Labour Code</b> Fitting, Replace</p>	<p>1100-03-02-05 – (.2 hrs)</p>
<p><b>Causal Part</b></p>	<p>25091003</p>

## Issued by

Technical Service