

28-001 PTO Air Line Oil Contamination

9/18/2023

 [Edit](#)  [Clone](#)

28-001

Oil from the air shift cover of the Power Take Off (PTO) may leak into the air line, causing the Electric Over Air (EOA) solenoid to become inoperative.

Whats New Abstract

Oil from the air shift cover of the PTO may leak into the air line, causing the EOA solenoid to become inoperative.

Introduction

Oil from the air shift cover of the PTO may leak into the air line, causing the EOA solenoid to become inoperative. Installation of a quick exhaust valve onto the air shift cover will help to eliminate the draw created by the air line, eliminating oil contamination of the EOA solenoid.

Chassis Affected

All Peterbilt chassis equipped with an air shifted PTO.

Action

Information Only

In some cases, on air shift PTOs, hydraulic oil may enter the air line and damage the EOA solenoid, making the PTO inoperative. The body builder manual has recently been updated to include the addition of a quick exhaust valve onto the air shift cover to eliminate the draw experienced by the air line, eliminating the contamination of oil into

the system. The purpose of this bulletin is to bring awareness of the body builder manual page so necessary steps can be taken to fix this issue if it occurs.

Parts

Obtain the part locally.

[Humphrey Online Catalog SQE2VAI \(humphrey-products.com\)](http://humphrey-products.com)



Quantity	Part Number	Description	Stock Location (PDC / DSP)
1	SQE2VAI	Humphrey 1/4 pipe SQE2 small quick exhaust valve	Source locally
1	TT1/2TEC	Teflon tape	DSP

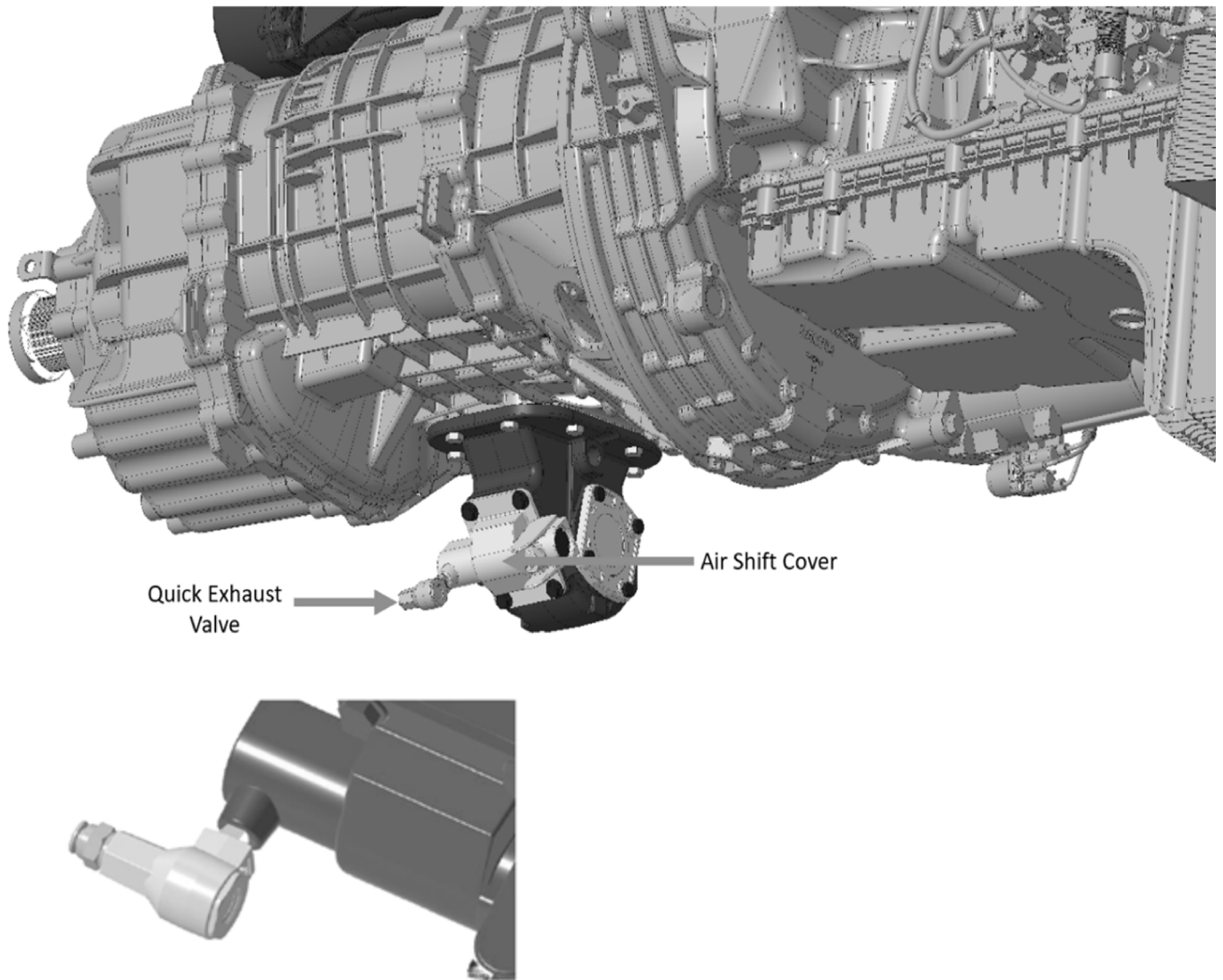
Background

Oil from the air shift cover of the PTO may leak into the air line, causing the EOA solenoid to become inoperative. Installation of a quick exhaust valve onto the air shift cover will help to eliminate the draw created by the air line, eliminating oil contamination of the EOA solenoid.

Procedure

Please follow your dealership's safety procedures and precautions to ensure the vehicle can be safely repaired

and maintained.



1. Uninstall air line connecting to air shift cover of PTO.
 2. Install "SQE2VAI" quick exhaust valve onto air shift cover of PTO.
 - a) Apply Teflon tape to threads.
 3. Install air line to the quick exhaust valve "IN" port.
- This implementation is for permanent fix.
 - No special tools are required for fix.

Body Builder Manual - PTO

Humphrey - Quick Exhaust Valve