

Macan I – New Brake Hose Retaining Bracket Available

Vehicles Affected

Models	Model Year	Model Type	VIN Range	Vehicle-Specific Equipment
Macan	As of 2015 up to 2018	95B	N/A	Steel brakes

Revision History

Revision	Release Date	Changes
0	September 28, 2023	Original document

Service Information

A new brake hose retaining clip is available for model year 2015-2018 Macan vehicles with steel brakes:

- **95B.971.501.B** Bracket for brake hose (left)
- **95B.971.502.B** Bracket for brake hose (right)

When replacing the brake hose that connects to the caliper (1), part **95B.611.701.E**, please also replace the brake hose retaining clip mentioned above.

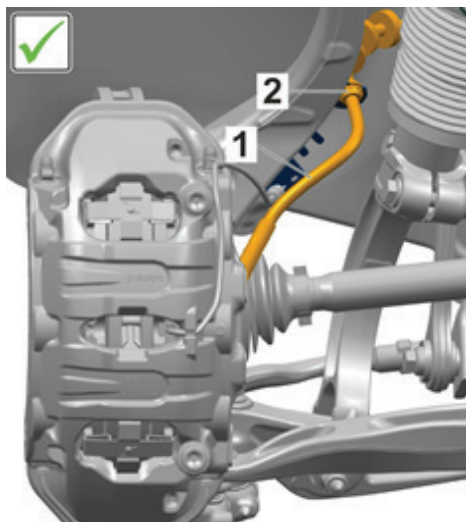


Figure 1

Search Items

Macan, brakes, brake line, brake hose, bracket, clip, caliper

Important Notice: Technical Bulletins issued by Porsche Cars North America, Inc. are intended only for use by professional automotive technicians who have attended Porsche service training courses. They are written to inform those technicians of conditions that may occur on some Porsche vehicles, or to provide information that could assist in the proper servicing of a vehicle. Porsche special tools may be necessary in order to perform certain operations identified in these bulletins. Use of tools and procedures other than those Porsche recommends in these bulletins may be detrimental to the safe operation of your vehicle, and may endanger the people working on it. Properly trained Porsche technicians have the equipment, tools, safety instructions, and know-how to do the job properly and safely. Part numbers listed in these bulletins are for reference only. The work procedures updated electronically in the Porsche PIWIS diagnostic and testing device take precedence and, in the event of a discrepancy, the work procedures in the PIWIS Tester are the ones that must be followed.
