



Service Bulletin

Bulletin No.: 23-NA-073

Date: September, 2023

TECHNICAL

Subject: Evaporative DTCs P0442, P0446, P0455 or P0449, Caused by Dust Intrusion into the Evaporative Canister and Canister Vent Solenoid

Brand:	Model:	Model Year:		VIN:		Engine:	Transmission:
		from	to	from	to		
Chevrolet	Silverado 1500 (New Model - 12th VIN Digit = 7) - 4WD	2019	2019			All	All
	Silverado 1500 (New Model)						
	Silverado 1500	2020	2023				
	Silverado 1500 LTD (RPO J21, VIN Digit 5 = W / Y)	2022	2022				
	Silverado 1500 New (RPO J22, VIN Digit 5 = A / D)	2022	2022				
	Silverado 2500 HD/3500 HD	2020	2024				
GMC	Sierra 1500 (New Model)	2019	2019			All	All
	Sierra 1500	2020	2023				
	Sierra 1500 Limited (RPO J21, VIN Digit 5 = 8 / 9)	2022	2022				
	Sierra 1500 New (RPO J22, VIN Digit 5 = H / U)	2022	2022				
	Sierra 2500 HD/3500 HD	2020	2024				

Involved Region or Country	United States, Canada, Middle East, Israel
Condition	Some customers, who operate their vehicles in extremely dusty environments, may experience dust intrusion into the EVAP system that can plug the canister and canister vent solenoid and set DTC's P0442, P0446, P0455 or P0449.
Cause	The condition may be caused the by the normal use of these vehicles operating in severe dusty environments.

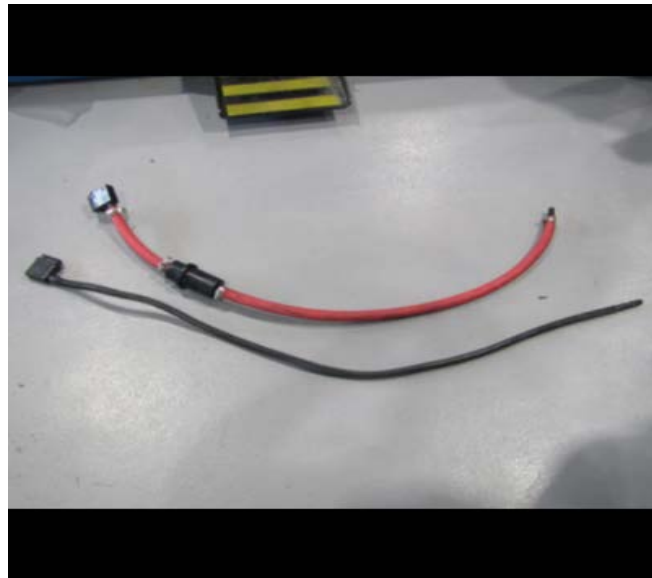
Important: This repair is a customer pay alteration. All repair, and payment authorization must come from the customer.



6325318

Note: The retro-fit to add the filter is described in the Service Procedure below. For the retro-fit, the filter assembly P/N (with the 3 parts shown above) will need to be utilized along with a 3/4" to 5/8" hose connector that can be obtain for a local parts store. If a vehicle has already undergone the retro-fit and the vehicle returns after a period of time with the Condition reappearing, the filter assembly can be changed.

Note: The filter is meant to be maintenance item that should be checked periodically to prevent the issue from reoccurring and the DTC from setting.



6327015

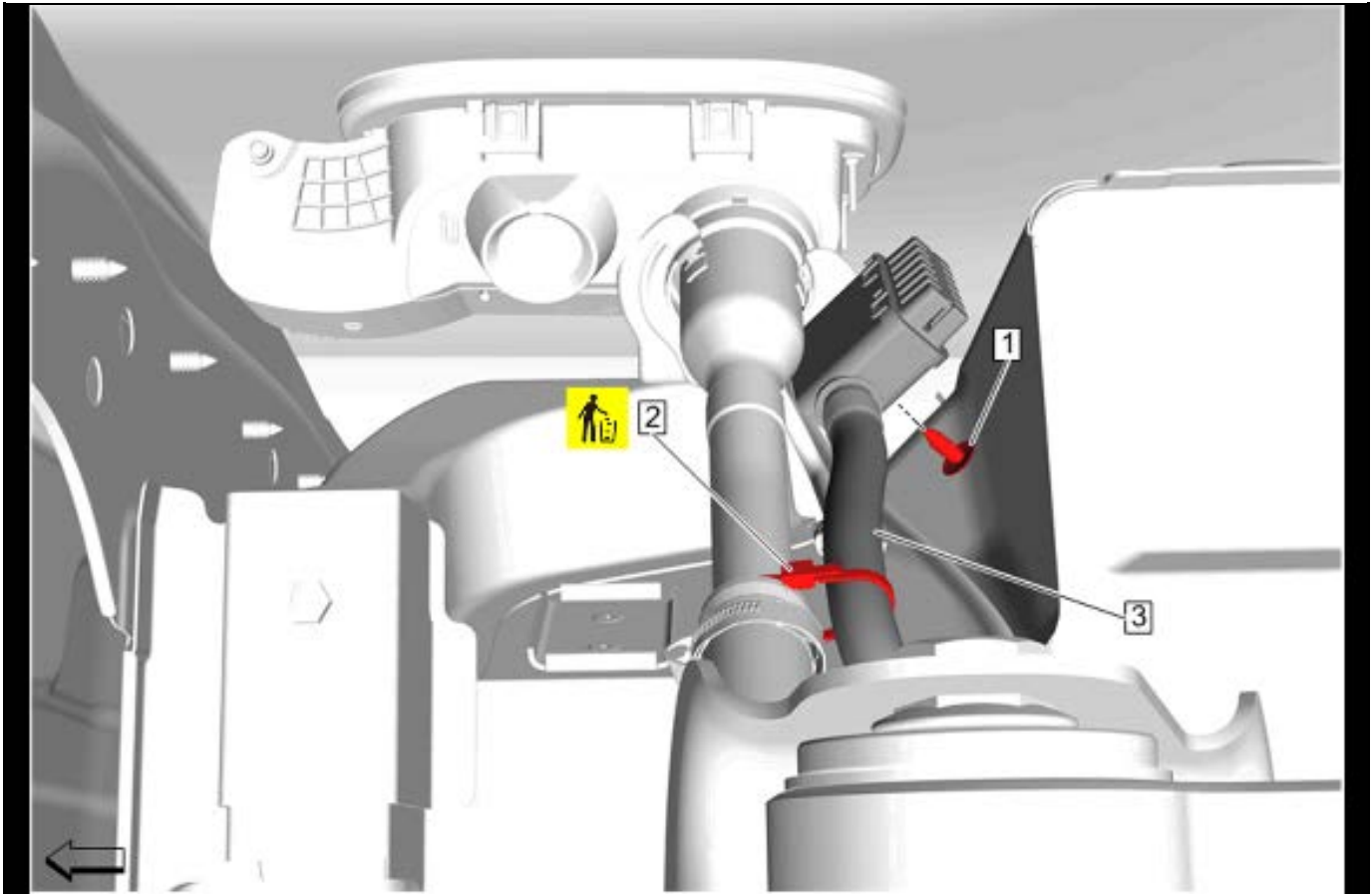
A filter may be installed between the EVAP canister and air inlet, to correct this Condition. An example of the original, and the retro-fit, evaporative emission canister vent hose are shown in the graphic above.

Correction

Service Procedure

Important: Service agents must comply with all International, Federal, State, Provincial, and/or Local laws applicable to the activities it performs under this bulletin, including but not limited to handling, deploying, preparing, classifying, packaging, marking, labeling, and shipping dangerous goods. In the event of a conflict between the procedures set forth in this bulletin and the laws that apply to your dealership, you must follow those applicable laws.

1. Raise and support the vehicle. Refer to *Lifting and Jacking the Vehicle*, in SI.



5041593

2. Remove the evaporative emission canister vent hose (3). Refer to the appropriate *Evaporative Emission Canister Vent Hose Replacement (Filler Pipe to Pipe)*, in SI.



6325322

3. Cut the vent hose at the end of barbed fitting on the pre filter (1).



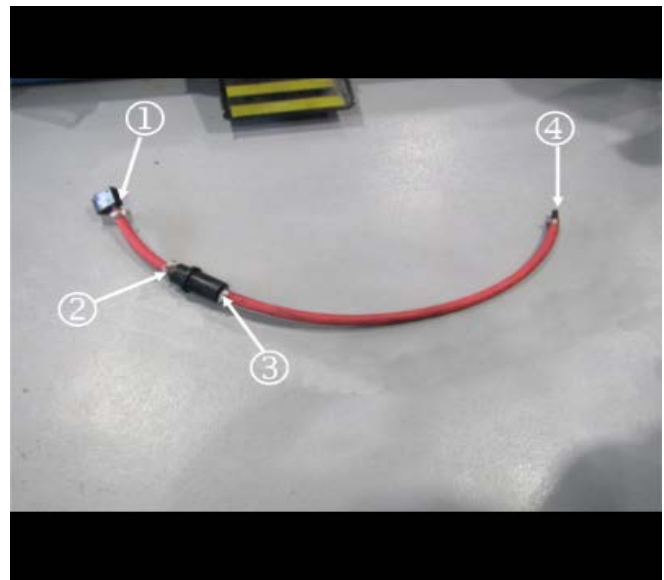
6325324

4. Cut a 12 inch (30.5 cm) length of 3/4 in. diameter heater core hose.



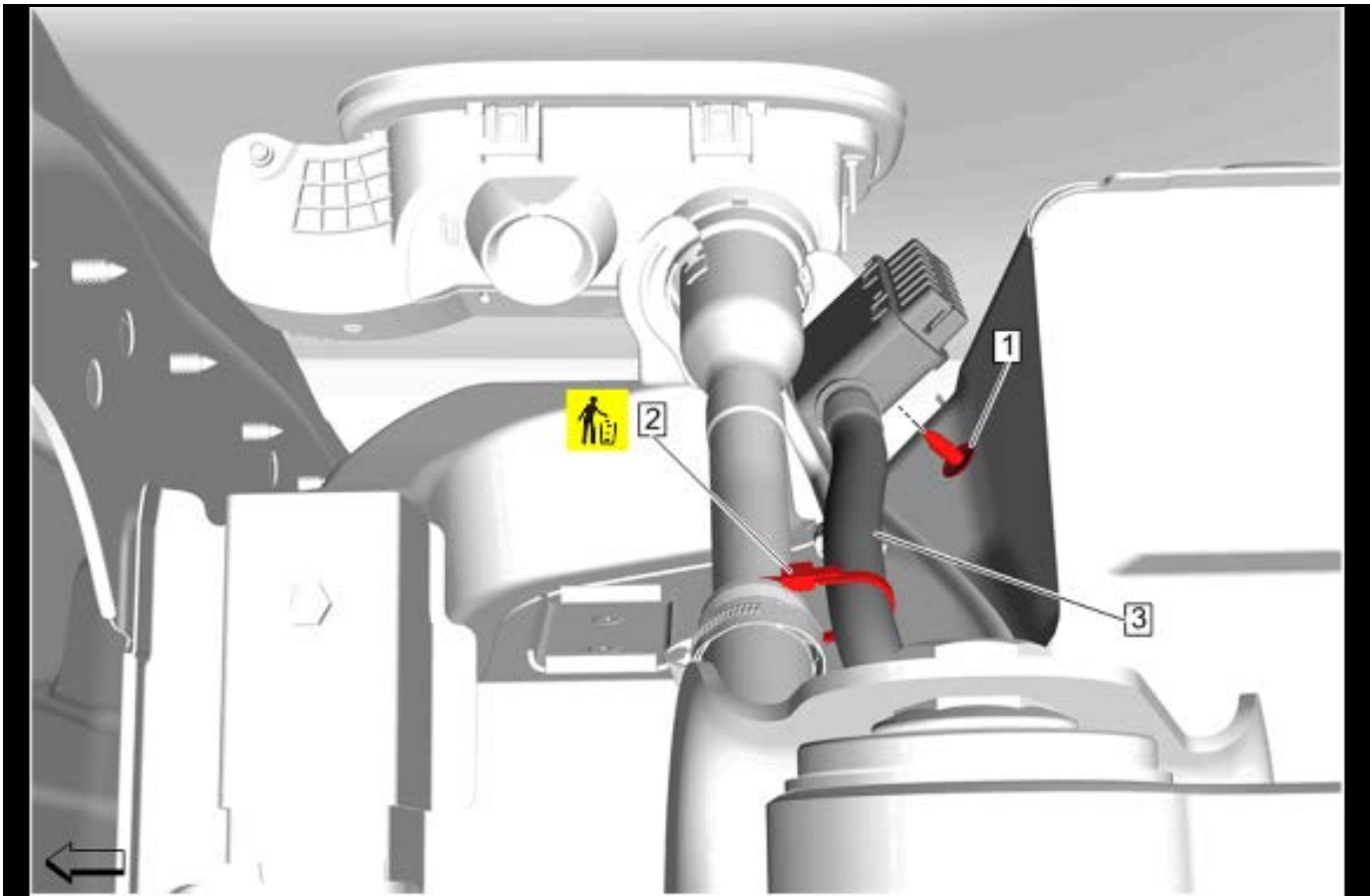
6325326

5. Using the length of the original black corrugated hose as a measurement, cut a length of 3/4 in. diameter heater core hose the same appropriate length.



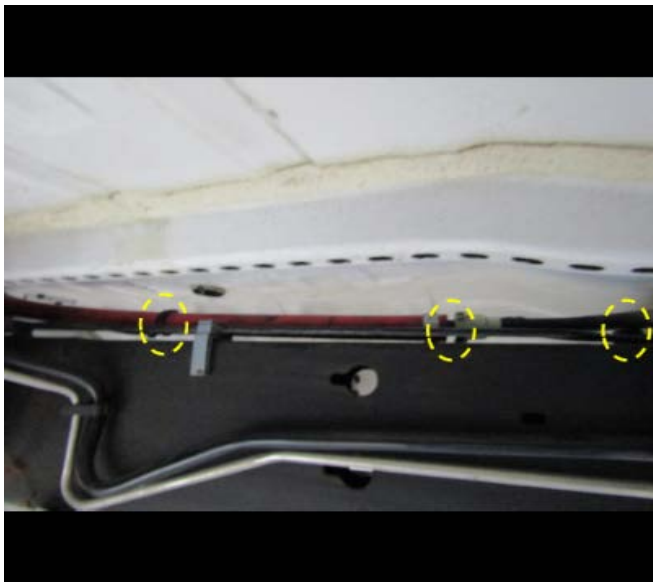
6325328

6. Secure the 12 inch (30.5 cm) length heater core hose to the fitting on the pre filter (1), using a hose clamp.
7. Secure the in-line filter (2) to the other end of 12" (30.5 cm) length hose, using a hose clamp.
8. Secure the longer heater core hose to the fitting at bottom of in-line filter (3), using a hose clamp.
9. Insert 5/8" male to male fitting (4) into heater core hose on CVS side, using a hose clamp to secure.



5041593

10. Connect 5/8" end of male fitting to the quick connect on the CVS jumper line and install the evaporative emission canister vent hose (3), to the vehicle. Refer to the appropriate *Evaporative Emission Canister Vent Hose Replacement (Filler Pipe to Pipe)*, in SI.



6325329



6325331

11. Using existing hose clips, and tie straps, clip new hose at same location as previous line.
12. Lower the vehicle.

Parts Information

Causal Part	Description	Part Number	Qty
N/A	FILTER ASM-EVAP EMIS SYS VAC LEAK PUMP (ASSEMBLY)	86792068	1
	FILTER ASM-EVAP EMIS SYS VAC LEAK PUMP (FOAM FILTER)	86792069	1

Warranty Information

Important: This repair is not a warranty repair, but a customer pay alteration. All repair, and payment authorization must come from the customer.

Version	2
Modified	Released June 19, 2023. Revised September 20, 2023 - Revised the Note Information to add a Hose Fitting in the Correction section.

