

## AWNINGS

### Purpose

This document describes the location of a warning label that pertains to setting the pitch arm on a Solera awning. The document also describes pitch arm operational and troubleshooting guidelines.

### Safety

#### **WARNING**

The “WARNING” symbol above is a sign that a procedure has a safety risk involved and may cause death or serious personal injury if not performed safely and within the parameters set forth in this manual.

#### **CAUTION**

The “CAUTION” symbol above is a sign that a safety risk is involved and may cause personal injury and/or product or property damage if not safely adhered to and within the parameters set forth in this manual.

#### **WARNING**

**IMPACT OR CRUSH HAZARD** - Pitch **MUST** be set to lower one side of the awning after the awning is extended. Failure to set pitch could lead to water, snow or debris accumulating on the awning fabric, which could cause the awning to move unpredictably, become unstable, and bend or collapse causing death or personal injury or property damage.

#### **WARNING**

**IMPACT OR CRUSH HAZARD** - Do **NOT** adjust pitch manually if there is already pooling water, snow or debris on the awning fabric. Keep the awning arm area clear of people and objects when in operation. Failure to heed these warnings could cause severe personal injury and/or property damage.

#### **CAUTION**

During incidents of high wind, heavy rain or extended time away from the unit, it is advisable to retract the awning completely to prevent damage to the awning and the unit.

**AWNINGS**

## Pitch Arm Instructional Label


Solera awning pitch arms (Fig. 1) have a label affixed with a QR code (Fig. 2) that directs the user to a video describing safe and proper use of the pitch arm feature. Lippert recommends watching the video before operating the pitch arm.

Fig. 1



Scan QR Code for Instruction Video

Fig. 2

	<p><b>ADJUSTABLE PITCH AWNINGS</b></p>	<p>UPON EXTENDING THE AWNING PULL DOWN TO ADJUST PITCH TO PREVENT WATER ACCUMULATION. DO NOT ADJUST PITCH OR GRAB AWNING ARM IF WATER HAS COLLECTED AS IT MAY CAUSE AWNING TO RAPIDLY COLLAPSE AND CAUSE PERSONAL INJURY.</p>	<p>EN OUVRANT L'AUVENT, TIRER VERS LE BAS POUR RÉGLER L'INCLINAISON ET ÉVITER L'ACCUMULATION D'EAU. EN CAS D'ACCUMULATION D'EAU, ÉVITER D'AJUSTER L'INCLINAISON ET DE SAISIR LE BRAS DE L'AUVENT, CAR CE DERNIER POURRAIT S'AFFAISSER RAPIDEMENT ET CAUSER DES BLESSURES.</p>	<p>AL EXTENDER EL TOLD, JALE HACIA ABAJO PARA AJUSTAR LA INCLINACIÓN Y EVITAR LA ACUMULACIÓN DE AGUA. SI HAY ACUMULACIÓN DE AGUA, NO AJUSTE LA INCLINACIÓN NI AGARRE EL BRAZO DEL TOLDO, YA QUE ES POSIBLE QUE ESTE SE DESPLOME RÁPIDAMENTE Y CAUSE LESIONES PERSONALES.</p>	<p>SCAN QR CODE FOR INSTRUCTION VIDEO BALAYER LE CODE QR POUR VOIR UNE VIDEO D'INSTRUCTION</p> 
<p><b>WARNING</b> <b>AVERTISSEMENT</b> <b>ADVERTENCIA</b></p>		<p>NEVER LEAVE AWNING EXTENDED AND UNATTENDED. DO NOT ADJUST PITCH IF WATER OR DEBRIS HAS COLLECTED ON TOP OF AWNING. REVIEW FULL OPERATIONAL INSTRUCTIONS, INCLUDING GUIDANCE ON HOW TO REMOVE WATER THAT MAY HAVE ACCUMULATED. AT <a href="https://support.lci1.com/solera-power-awning">HTTPS://SUPPORT.LCI1.COM/SOLERA-POWER-AWNING</a> OR VIA THE QR CODE</p>	<p>NE JAMAIS LAISSER UN AUVENT DÉPLOYÉ SANS SURVEILLANCE. NE PAS AJUSTER L'INCLINAISON SI DE L'EAU OU DES DÉBRIS SE SONT ACCUMULÉS SUR L'AUVENT. POUR LIRE TOUTES LES INSTRUCTIONS, Y COMPRIS CELLES EXPLIQUANT COMMENT ÉLIMINER L'EAU QUI PEUT S'ACCUMULER SUR L'AUVENT, CONSULTER LE <a href="https://support.lci1.com/solera-power-awning">HTTPS://SUPPORT.LCI1.COM/SOLERA-POWER-AWNING</a> OU BALAYER LE CODE QR.</p>	<p>NO DEJE NUNCA EL TOLDO DESPLEGADO NI DESATENDIDO. NO AJUSTE LA INCLINACIÓN SI HAY ACUMULACIÓN DE AGUA O SUCIEDAD EN LA PARTE SUPERIOR DEL TOLDO. REVISE LAS INSTRUCCIONES DE FUNDAMENTO COMPLETAS, INCLUIDA LA ORIENTACIÓN SOBRE COMO ELIMINAR EL AGUA QUE POSIBLEMENTE SE HAYA ACUMULADO, EN <a href="https://support.lci1.com/solera-power-awning">HTTPS://SUPPORT.LCI1.COM/SOLERA-POWER-AWNING</a> O A TRAVÉS DEL CÓDIGO QR</p>	<p>ESCANEE EL CÓDIGO QR PARA VER EL VIDEO DE INSTRUCCIONES PATENT PROTECTED LIPPERT.COM/PATENTS ©LIPPERT LIPPERT.COM 2023010013-0A</p>

Upon extending the awning, pull down to adjust pitch to prevent water accumulation. Do not adjust pitch or grab awning arm if water has collected, as it may cause awning to rapidly collapse and cause personal injury.

Never leave awning extended and unattended. Do not adjust pitch if water or debris has collected on top of awning. Review full operational instructions, including guidance on how to remove water that may have accumulated at <https://support.lci1.com/solera-power-awning> or via the QR Code.

## AWNINGS

**⚠ WARNING**

**IMPACT OR CRUSH HAZARD - Pitch MUST be set to lower one side of the awning after the awning is extended. Failure to set pitch could lead to water, snow or debris accumulating on the awning fabric, which could cause the awning to move unpredictably, become unstable, and bend or collapse causing death, personal injury or property damage.**

**⚠ WARNING**

**IMPACT OR CRUSH HAZARD - Do NOT adjust pitch manually if there is already pooling water, snow or debris on the awning fabric. Keep the awning arm area clear of people and objects when in operation. Failure to heed these warnings could cause severe personal injury and/or property damage.**

**Setting Pitch - All Solera Awnings**

**NOTE:** Before manually adjusting pitch, make sure there is no water or snow pooling or debris present on top of the awning fabric. Use a long-handled tool that will not puncture the fabric (e.g. a broom) to push up on the awning fabric to drain off the water, snow or debris.

1. Extend the awning to desired position.
2. Choose the side of the awning for optimum shade or convenient water runoff. Pitch **MUST** be set by adjusting the articulating arm to tip one side of the awning to allow water runoff.

**NOTE:** If pitch is not set and a significant amount of water, snow or debris accumulates on top of the awning fabric, the awning may pitch itself to purge the pooling of excess water and may dump a significant amount of water without notice.

3. Pull downward on the joint of the pitch arm until desired pitch is set (Fig. 3). Belleville washers and screw (Fig. 4A) allow the joint to remain in the position set by the operator.

**NOTE:** Do not push the joints of the articulating arms up past a straight line (Fig. 5A). This will put tension on the gas strut, which can cause the strut to break.

**NOTE:** The awning can be retracted without resetting pitch.

Fig. 3

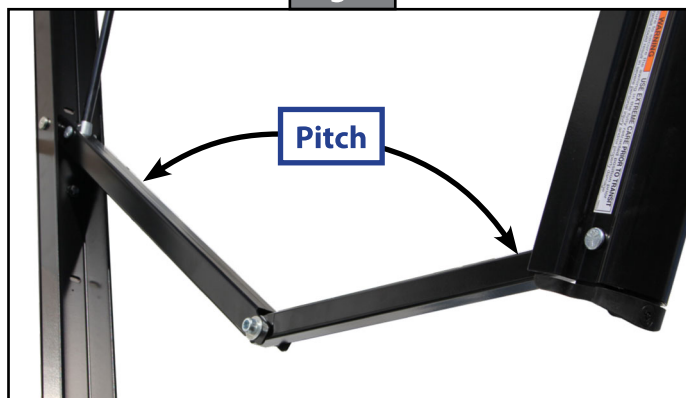
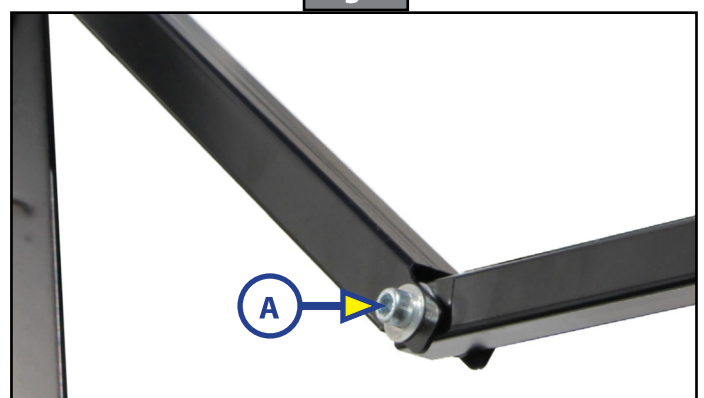
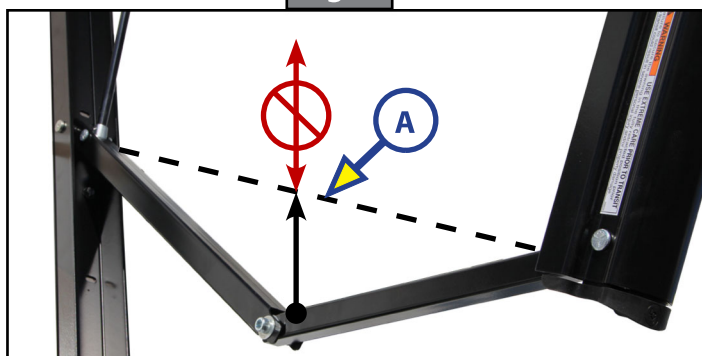


Fig. 4



## AWNINGS

Fig. 5

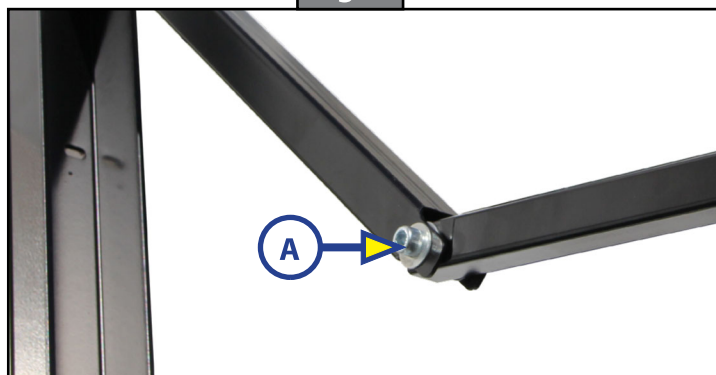
**Troubleshooting Adjusting Pitch - All Solera Awnings**

If the articulating arm does not hold position, it can be tightened by adjusting the screw (Fig. 6A) in the center of the articulating arm.

1. Use a 1/4" hex wrench to tighten the screw (Fig. 6A) while holding the nut on the other side of the pitch arm with a wrench.

**NOTE:** When tightening the screw do not tighten more than 1/4 turn at a time and do not tighten to the point of crushing the pitch arm.

Fig. 6



**NOTE:** Existing Belleville washers and screw are installed in a specific orientation for tensioning. Removal of these components or modification of the orientation will cause adverse effects on the pitch arm functionality.