

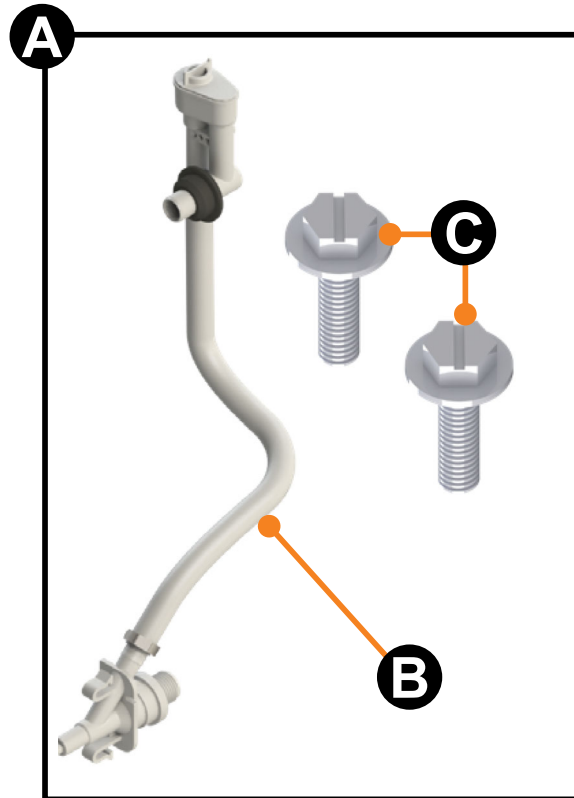


Flow Max RV Toilet Valve Assembly Kit



Installation Guide

Parts List



Toilet Valve Assembly Kit			
Letter	Part #	Description	Qty.
A	2022121976	Toilet Valve Assembly Kit	1
B	2021106629	Toilet Valve Assembly	1
C	2021106602	Hex Washer, Slotted Screw 8-32 X 1/2"	2

Resources Required

- △ Cordless or electric drill or screw gun
- △ Appropriate drive bits
- △ Flat blade screwdriver
- △ Adjustable wrench
- △ Hose clamp (if necessary)
- △ Side-cut pliers

Installation

1. Use adjustable wrench to remove water inlet hose (**Fig. 1A**) from water valve inlet (**Fig. 1B**).

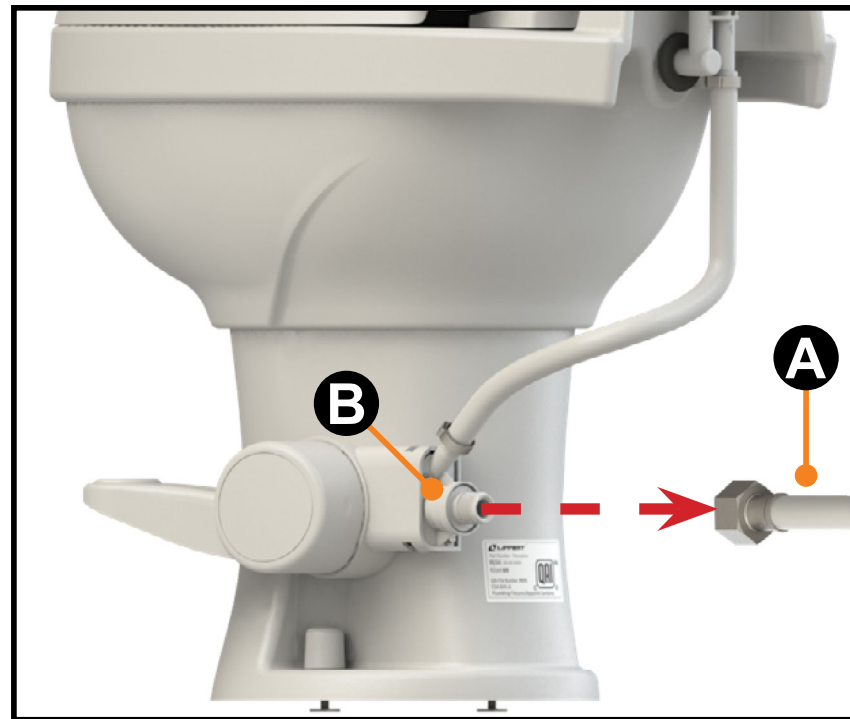


Fig. 1

2. Remove the screws (**Fig. 2A**).

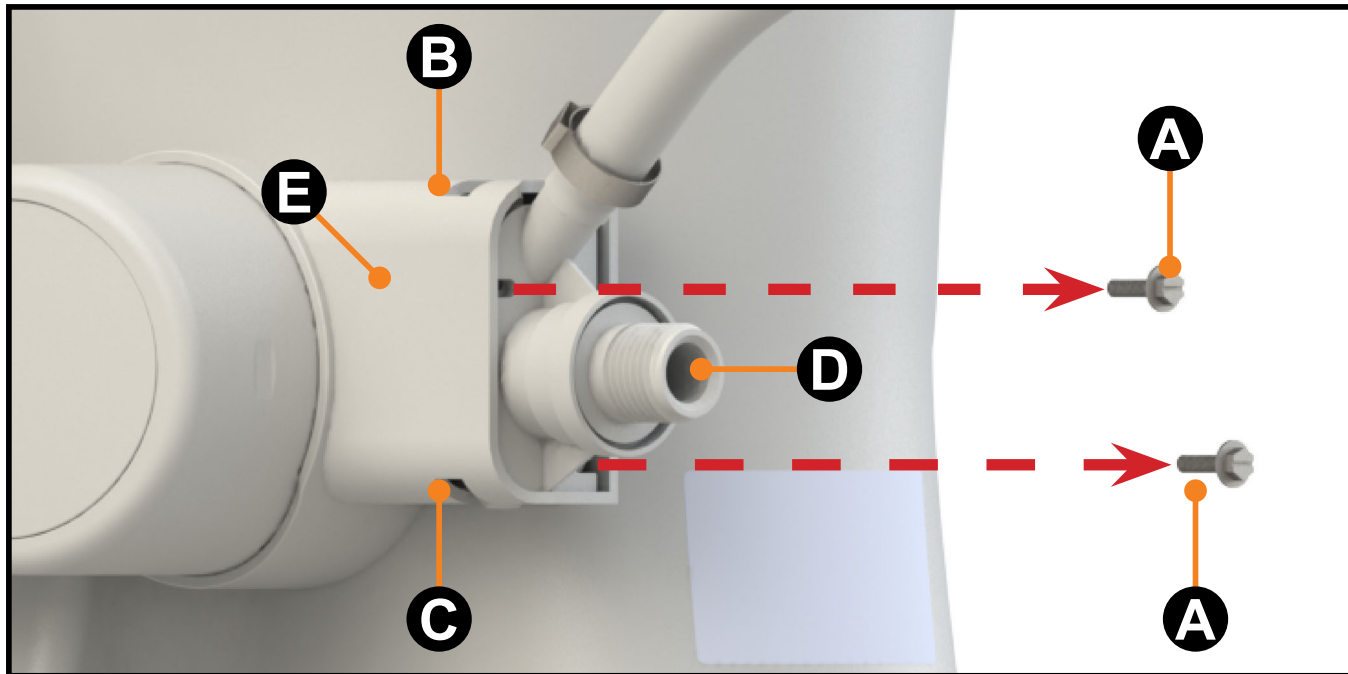


Fig. 2

3. While gently pulling on inlet valve, use a flat blade screwdriver to press on tabs on top (**Fig. 2B**) and bottom (**Fig. 2C**) of inlet valve (**Fig. 2D**) to release the valve from the base (**Fig. 2E**).

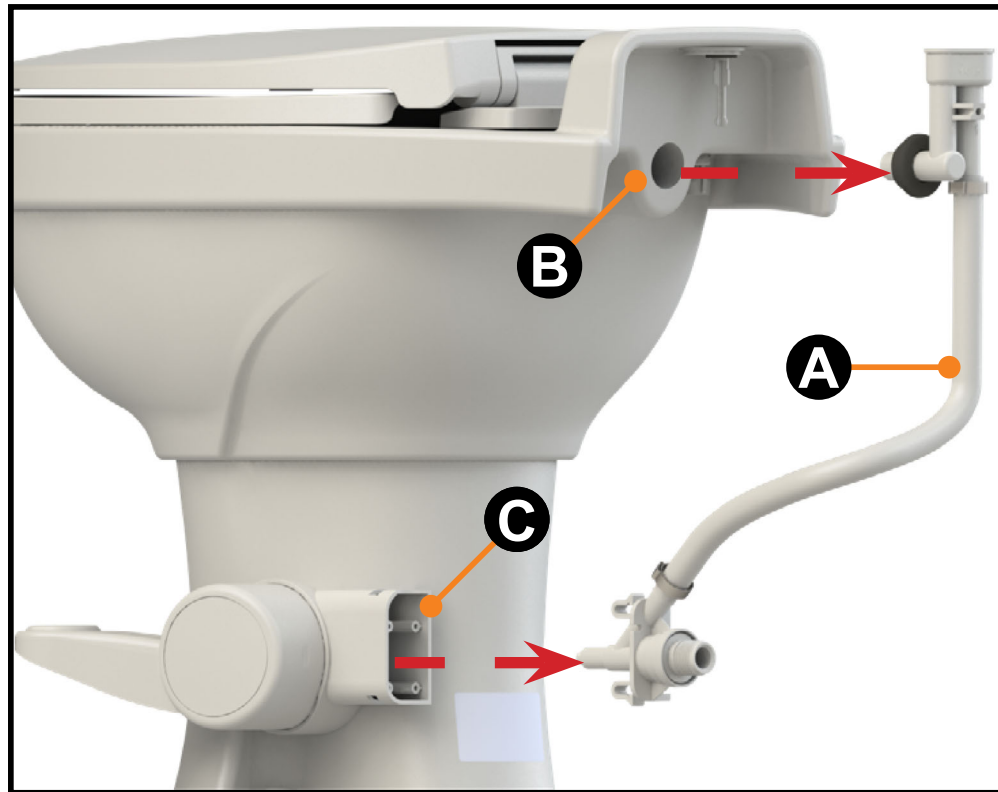


Fig. 3

4. Remove the existing toilet valve assembly (**Fig. 3A**) from the top (**Fig. 3B**) and bottom (**Fig. 3C**) of the FlowMax toilet.

5. Remove the seal (**Fig. 4A**) from the top of the new toilet valve assembly (**Fig. 4B**).
6. Install the seal into the back of the FlowMax toilet bowl (**Fig. 4C**).
7. Insert the valve (**Fig. 4B**) into the seal (**Fig. 4A**) to install the top of the toilet valve assembly into the FlowMax toilet (**Fig. 4C**).

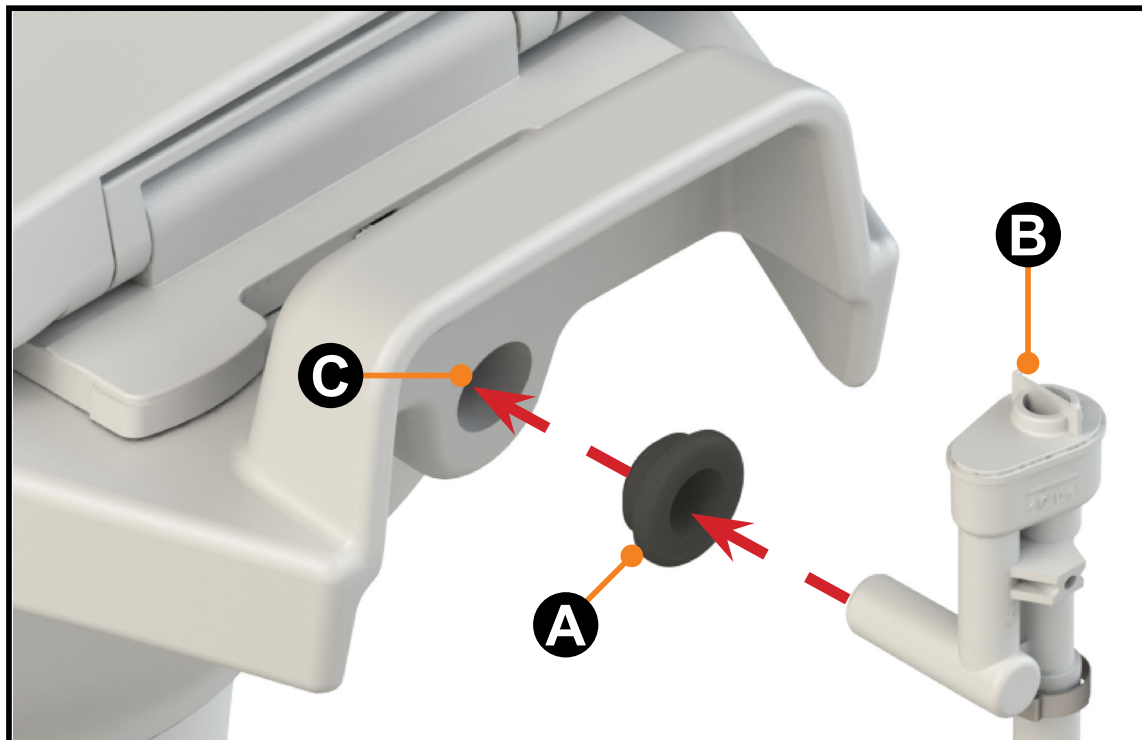


Fig. 4

NOTE: The following steps refer back to previous images to reference where to install new valve assembly and complete the installation.

8. Install the bottom of the new inlet valve (**Fig. 3A**) until clicks are heard indicating that both top (**Fig. 2B**) and bottom (**Fig. 2C**) tabs have securely seated into valve base (**Fig. 2E**).

9. Install screws (**Fig. 2A**) previously removed (**Fig. 2F**).

NOTE: Be careful not to overtighten the screws.

10. Use as adjustable wrench to reattach water inlet hose (**Fig. 1A**) to water valve inlet (**Fig. 1B**).

Notes



Whenever, wherever, we make your experience better.

Manual information may be distributed as a complete document only, unless Lippert provides explicit consent to distribute individual parts.

All manual information is subject to change without notice. Revised editions will be available for free download at lippert.com. Manual information is considered factual until made obsolete by a revised version.

Please recycle all obsolete materials and contact Lippert with concerns or questions.

REV: 09.20.23

TI-479 CCD-0007864

