

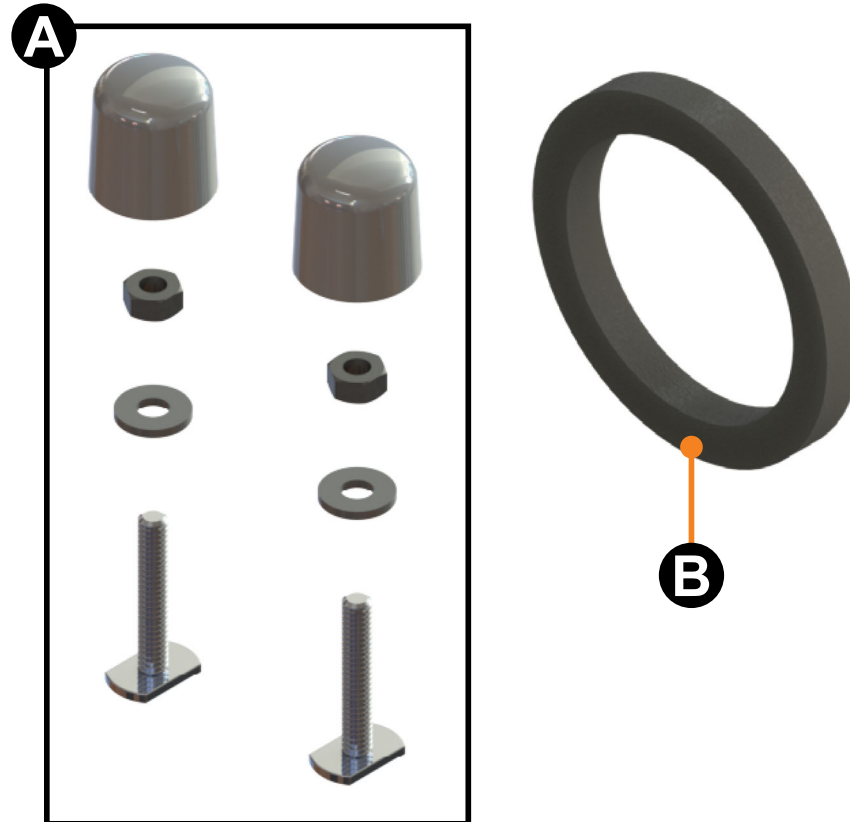


# Flow Max RV Toilet Bottom Gasket with Mounting Hardware Kit



## *Installation Guide*

## Parts List



Toilet Bottom Gasket with Mounting Hardware Kit (2022121983)			
Letter	Part #	Description	Qty.
A	2020221067	Toilet Mounting Kit	1
B	2020221066	Bottom Gasket	1

## Resources Required

- △ Flat blade screwdriver
- △ Adjustable wrench
- △ Gloves
- △ Disposable floor covering
- △ Sealant
- △ Paper Towels

## Preparation

1. Clean the toilet and turn off the water supply to the FlowMax toilet.
2. Drain water from toilet.

## Removal

1. Remove mounting hardware from the bottom of the FlowMax RV Toilet, then remove toilet and set on disposable floor covering.

NOTE: Retain hardware until procedure is complete in the event it is needed.

2. Wearing gloves, remove gasket and dispose of properly. Clean area with paper towels.

## Installation

1. Install new gasket directly onto the base of the toilet (**Fig. 1A**).

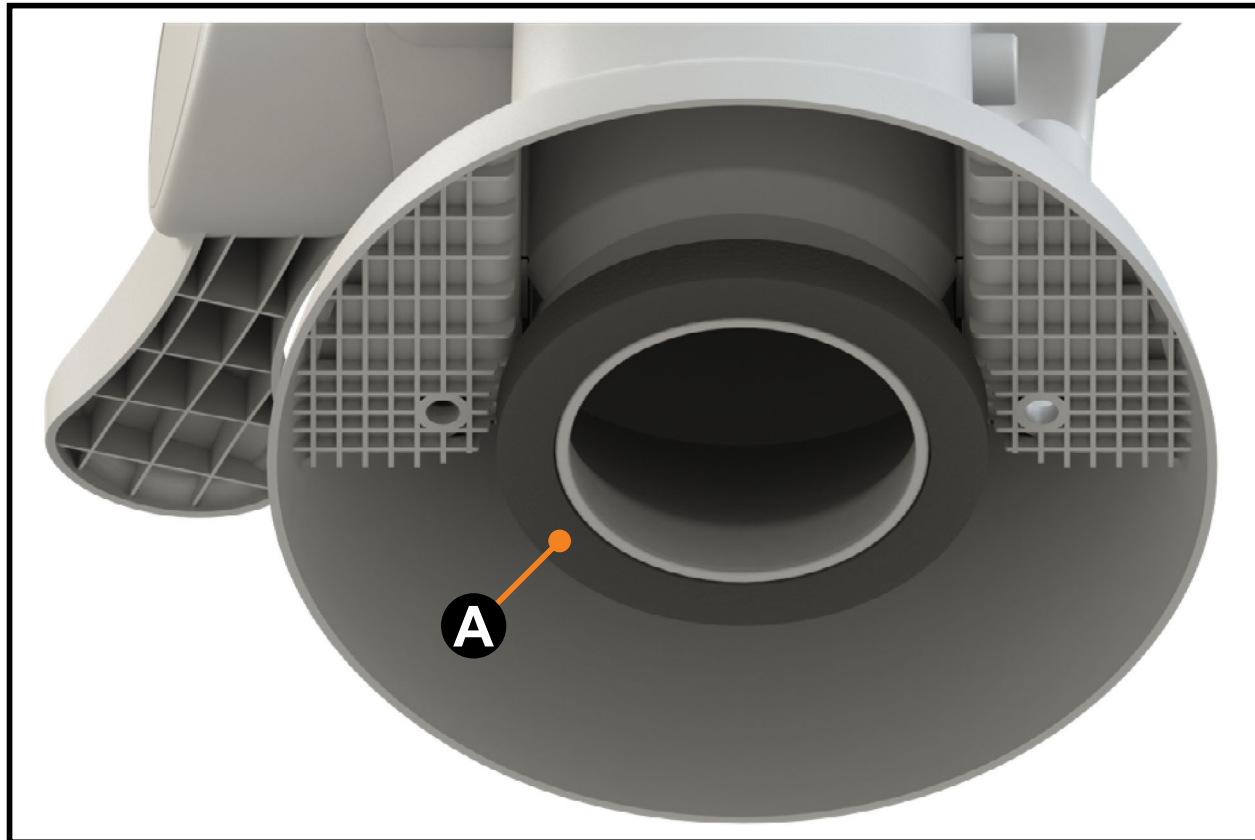


Fig.1

2. Return toilet back into place and install new hardware (**Fig. 2A**) on left and right side of toilet (**Fig. 2B**). Alternate between sides when tightening to prevent distortion.

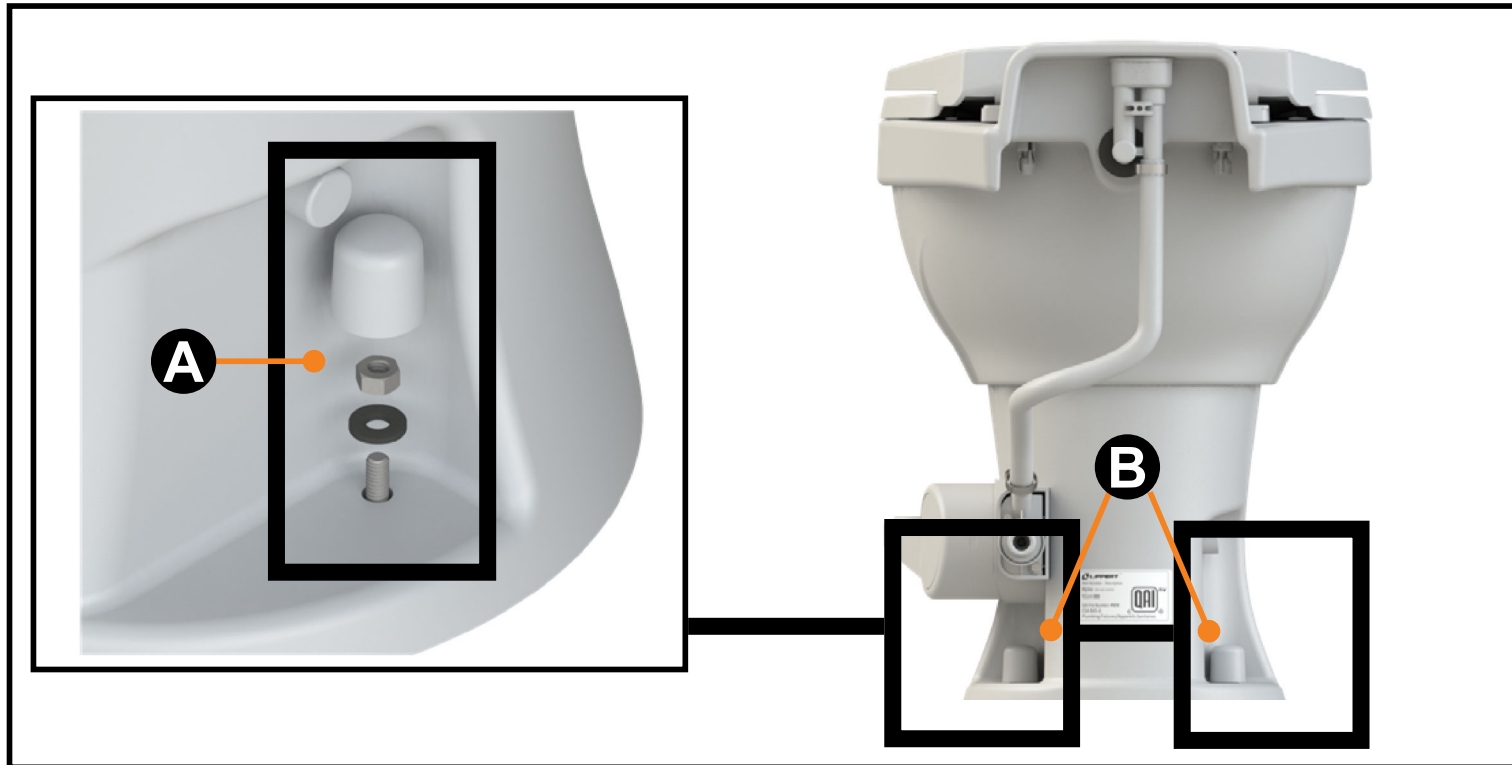


Fig.2

NOTE: If a torque wrench is available, tighten floor mounting nuts to 30–40 in. lbs. When the nuts are tight, the base of the toilet should be securely attached and flat against the floor. Be careful to not over-tighten.

3. Wipe area again with a paper towel.
4. Reapply sealant (caulk) (**Fig. 3A**) to the bottom of toilet.

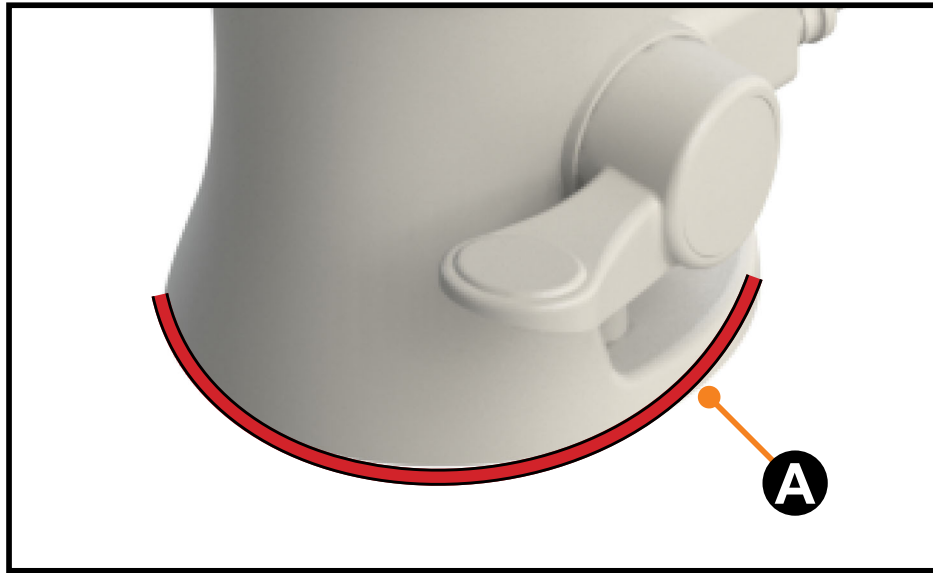


Fig.3

## Post-Installation Verification

Once reinstalled and water is back on, flush toilet to see if water leaks from the bottom before use.





Whenever, wherever, we make your experience better.

Manual information may be distributed as a complete document only, unless Lippert provides explicit consent to distribute individual parts.

All manual information is subject to change without notice. Revised editions will be available for free download at [lippert.com](http://lippert.com). Manual information is considered factual until made obsolete by a revised version.

Please recycle all obsolete materials and contact Lippert with concerns or questions.

