



Technical Service Bulletin

SUBJECT: REMOVAL & INSTALLATION PROCEDURE FOR FRONT & REAR PROTECTOR ON SIDE GUARD MOLDING – SERVICE MANUAL REVISION			No: TSB-23-51-003
			DATE: November 2023
			MODEL: See below
CIRCULATE TO:	<input type="checkbox"/> GENERAL MANAGER	<input checked="" type="checkbox"/> PARTS MANAGER	<input checked="" type="checkbox"/> TECHNICIAN
<input checked="" type="checkbox"/> SERVICE ADVISOR	<input checked="" type="checkbox"/> SERVICE MANAGER	<input checked="" type="checkbox"/> WARRANTY PROCESSOR	<input type="checkbox"/> SALES MANAGER

PURPOSE

This TSB provides updated information for the removal and installation of the Front & Rear Protector on the Side Guard Molding in the applicable Service Manual section.

AFFECTED VEHICLES

2023-2024 Outlander
2023-2024 Outlander Plug-in Hybrid

AFFECTED SERVICE MANUAL

- 2023-2024 Outlander Service Manual
- 2023-2024 Outlander Plug-in Hybrid Service Manual

PROCEDURE

Please use the following chart as a guide to replace the indicated page in the affected Service Manuals, Group 51, Body Exterior, Doors, Roof & Vehicle Security, Exterior, Removal and Installation, Side Guard Molding, Removal and Installation.

Applicable Manual	Pub.No.	Applicable Title	Contents
2023 OUTLANDER Service Manual	MSCD-030B-2023 (Volume 3)	BODY EXTERIOR, DOORS, ROOF & VEHICLE SECURITY └ EXTERIOR └ REMOVAL AND INSTALLATION └ SIDE GUARD MOLDING └ REMOVAL AND INSTALLATION	Attached sheet 2
2024 OUTLANDER Service Manual	MSCD-030B-2024 (Volume 3)		
2023 OUTLANDER (Plug-in Hybrid) Service Manual	MSCD-027B-2023		
2024 OUTLANDER (Plug-in Hybrid) Service Manual	MSCD-027B-2024		



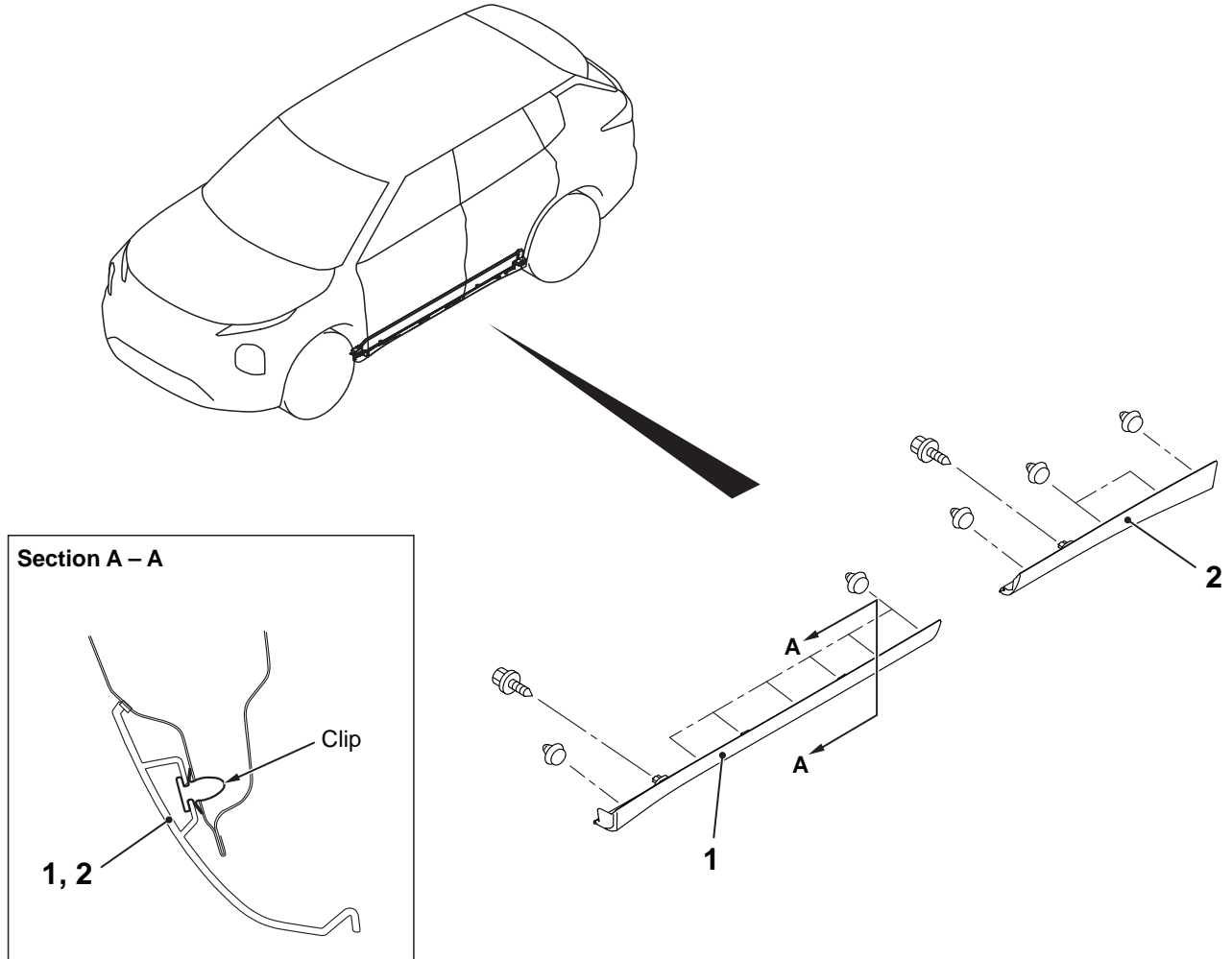
Copyright 2023, Mitsubishi Motors North America, Inc.

The information contained in this bulletin is subject to change. For the latest version of this document, go to the Mitsubishi Dealer Link, MEDIC, or the Mitsubishi Service Information website (www.mitsubishitechinfo.com).

REMOVAL AND INSTALLATION
SIDE GUARD MOLDING

REMOVAL AND INSTALLATION

<Up to late of September, 2023> <Added>

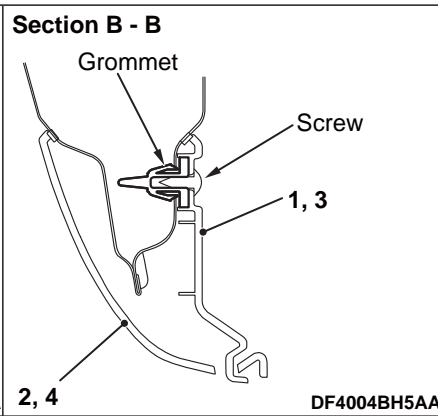
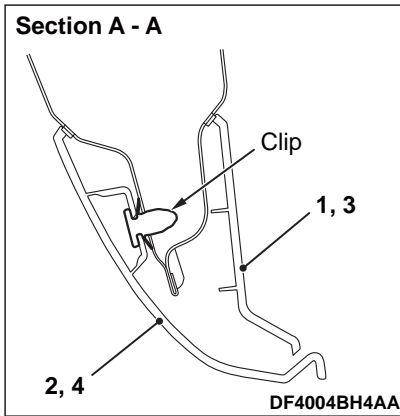
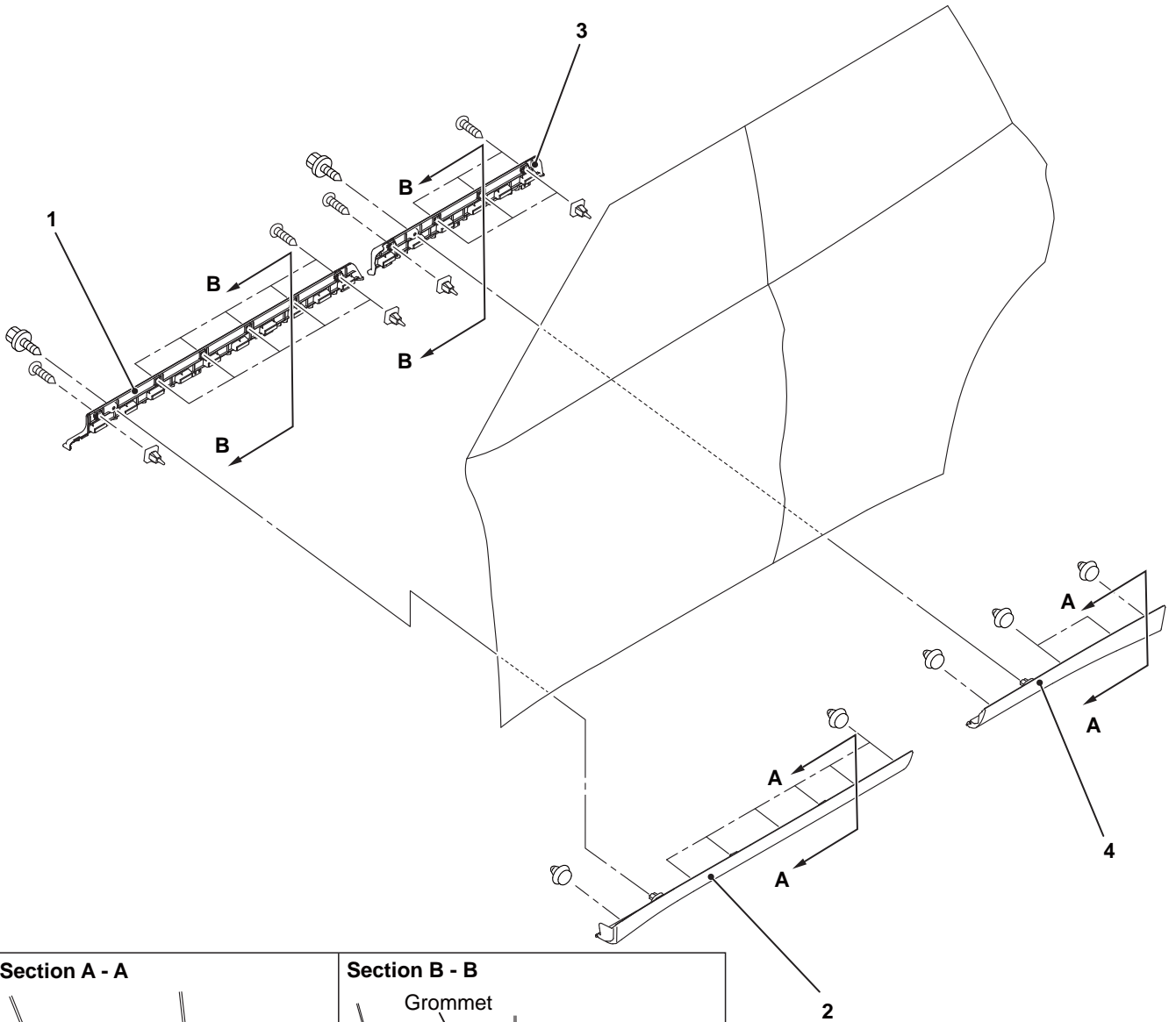


BCKA0213AA

Removal steps	
1.	Front side guard molding
2.	Rear side guard molding

<Added>

<From early October, 2023>



DF4004BH3AA

DF4004I7AB

Removal steps	
1.	Front protector
2.	Front side guard molding
3.	Rear protector
4.	Rear side guard molding